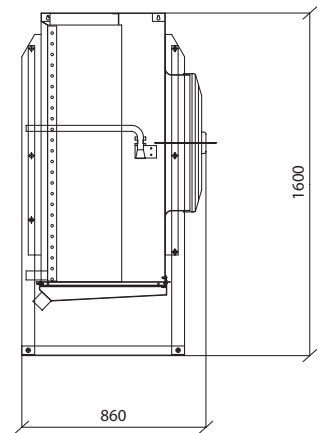
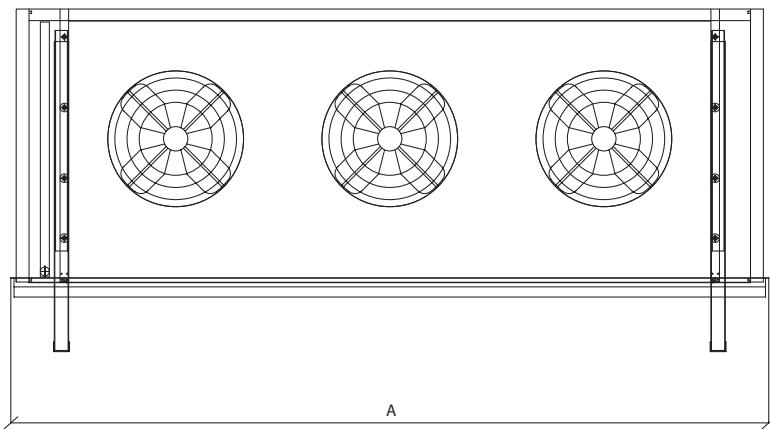
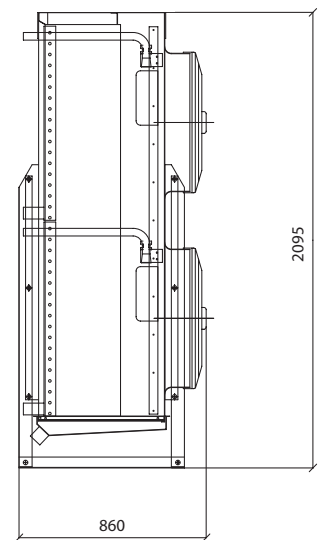
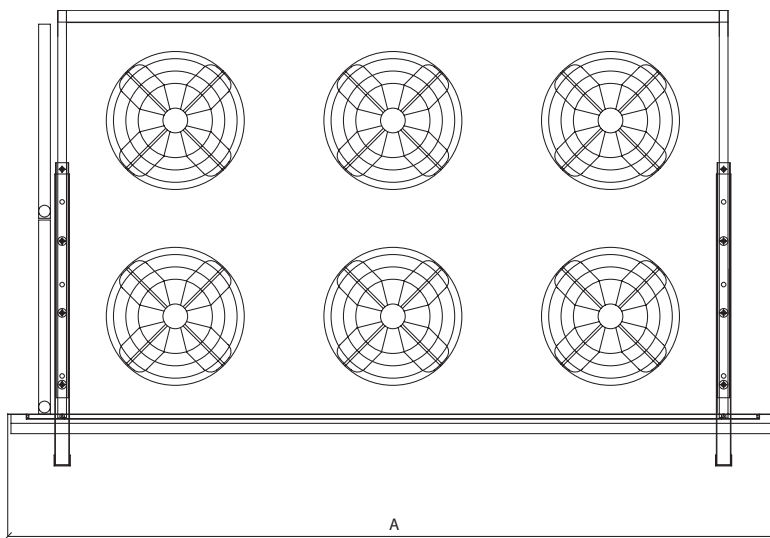


| Модель        | Мощность<br>$Q_n$ ( $\Delta T_1=5K$ ) | Расход<br>воздуха | Площадь<br>сечения | Вентиляторы<br>(3~400V-50Hz) |     |     | Оттайка | Уровень<br>шума |         | Соединения |      | Объем<br>труб | Вес<br>нетто | Вес<br>брутто |
|---------------|---------------------------------------|-------------------|--------------------|------------------------------|-----|-----|---------|-----------------|---------|------------|------|---------------|--------------|---------------|
|               |                                       |                   |                    | n x Ømm                      | kW  | A   |         | E               | $L_p$ A | $L_w$ A    | Øe   |               |              |               |
|               |                                       |                   |                    |                              |     |     | kW      | dB(A)           | dB(A)   | mm         | mm   |               |              |               |
| FLT 1263.126  | 14,3                                  | 28000             | 109                | 2x630                        | 1,9 | 3,2 | 23,1    | 66              | 93      | 35         | 54   | 33,0          | 255          | 384           |
| FLT 1263.128  | 17,7                                  | 27000             | 146                |                              |     |     | 27,2    | 66              | 93      | 35         | 54   | 43,0          | 278          | 407           |
| FLT 1263.1210 | 20,3                                  | 25500             | 182                |                              |     |     | 31,3    | 66              | 93      | 35         | 54   | 54,0          | 308          | 436           |
| FLT 1363.126  | 21,4                                  | 42000             | 164                | 3x630                        | 1,9 | 3,2 | 35,1    | 68              | 95      | 35         | 54   | 49,0          | 342          | 513           |
| FLT 1363.128  | 26,6                                  | 40500             | 219                |                              |     |     | 41,3    | 68              | 95      | 2x28       | 2x54 | 65,0          | 376          | 547           |
| FLT 1363.1210 | 29,5                                  | 38250             | 273                |                              |     |     | 47,5    | 68              | 95      | 2x28       | 2x54 | 81,0          | 478          | 649           |
| FLT 1463.128  | 30,0                                  | 54000             | 290                | 4x630                        | 1,9 | 3,2 | 54,2    | 69              | 96      | 35         | 64   | 152,0         | 590          | 802           |
| FLT 1463.1210 | 34,1                                  | 52000             | 362                |                              |     |     | 62,3    | 69              | 96      | 35         | 64   | 190,0         | 667          | 878           |
| FLT 1563.128  | 37,5                                  | 67500             | 362                | 5x630                        | 1,9 | 3,2 | 64,7    | 70              | 97      | 35         | 76   | 190,0         | 709          | 948           |
| FLT 1563.1210 | 43,8                                  | 65000             | 453                |                              |     |     | 74,3    | 70              | 97      | 35         | 76   | 238,0         | 805          | 1044          |
| FLT 2163.126  | 11,7                                  | 26000             | 82                 | 2x630                        | 1,9 | 3,2 | 17,5    | 66              | 93      | 28         | 54   | 24,0          | 244          | 359           |
| FLT 2163.128  | 14,6                                  | 25000             | 109                |                              |     |     | 21,5    | 66              | 93      | 28         | 54   | 32,0          | 280          | 374           |
| FLT 2163.1210 | 17,0                                  | 24000             | 137                |                              |     |     | 25,5    | 66              | 93      | 35         | 54   | 42,0          | 276          | 391           |
| FLT 2263.126  | 23,6                                  | 52000             | 164                | 4x630                        | 1,9 | 3,2 | 35,4    | 69              | 96      | 35         | 64   | 49,0          | 389          | 554           |
| FLT 2263.128  | 29,4                                  | 50000             | 219                |                              |     |     | 43,6    | 69              | 96      | 2x28       | 2x54 | 65,0          | 419          | 584           |
| FLT 2263.1210 | 34,4                                  | 48000             | 273                |                              |     |     | 51,8    | 69              | 96      | 2x35       | 2x54 | 83,0          | 448          | 613           |
| FLT 2363.126  | 35,5                                  | 78000             | 246                | 6x630                        | 1,9 | 3,2 | 53,7    | 71              | 98      | 2x35       | 2x54 | 73,0          | 532          | 767           |
| FLT 2363.128  | 43,2                                  | 75000             | 326                |                              |     |     | 66,1    | 71              | 98      | 2x35       | 2x54 | 97,0          | 576          | 811           |
| FLT 2363.1210 | 45,0                                  | 69000             | 407                |                              |     |     | 78,5    | 71              | 98      | 35         | 76   | 214,0         | 687          | 855           |
| FLT 2463.128  | 49,0                                  | 100000            | 434                | 8x630                        | 1,9 | 3,2 | 86,6    | 72              | 99      | 2x35       | 2x64 | 229,0         | 843          | 1025          |
| FLT 2463.1210 | 56,7                                  | 92000             | 543                |                              |     |     | 102,8   | 72              | 99      | 2x35       | 2x64 | 286,0         | 920          | 1084          |
| FLT 2563.128  | 61,8                                  | 125000            | 543                | 10x630                       | 1,9 | 3,2 | 103,1   | 73              | 100     | 2x35       | 2x76 | 286,0         | 1084         | 1193          |
| FLT 2563.1210 | 70,6                                  | 113000            | 678                |                              |     |     | 122,3   | 73              | 100     | 2x35       | 2x76 | 358,0         | 1180         | 1266          |



| Model<br>Modello | FL_1263.12_ | FL_1363.12_ | FL_1463.12_ | FL_1563.12_ |
|------------------|-------------|-------------|-------------|-------------|
| A (mm)           | 2510        | 3510        | 4510        | 5510        |



| Model<br>Modello | FL_2163.12_ | FL_2263.12_ | FL_2363.12_ | FL_2463.12_ | FL_2563.12_ |
|------------------|-------------|-------------|-------------|-------------|-------------|
| A (mm)           | 1510        | 2510        | 3510        | 4510        | 5510        |