

Nominal data

Type	K3G175-RC05-03	
Motor	M3G055-BI	
Phase		1~
Nominal voltage	VAC	230
Nominal voltage range	VAC	200 .. 240
Frequency	Hz	50/60
Method of obtaining data		ml
Speed (rpm)	min ⁻¹	3740
Power consumption	W	85
Current draw	A	0.80
Min. ambient temperature	°C	-25
Max. ambient temperature	°C	60

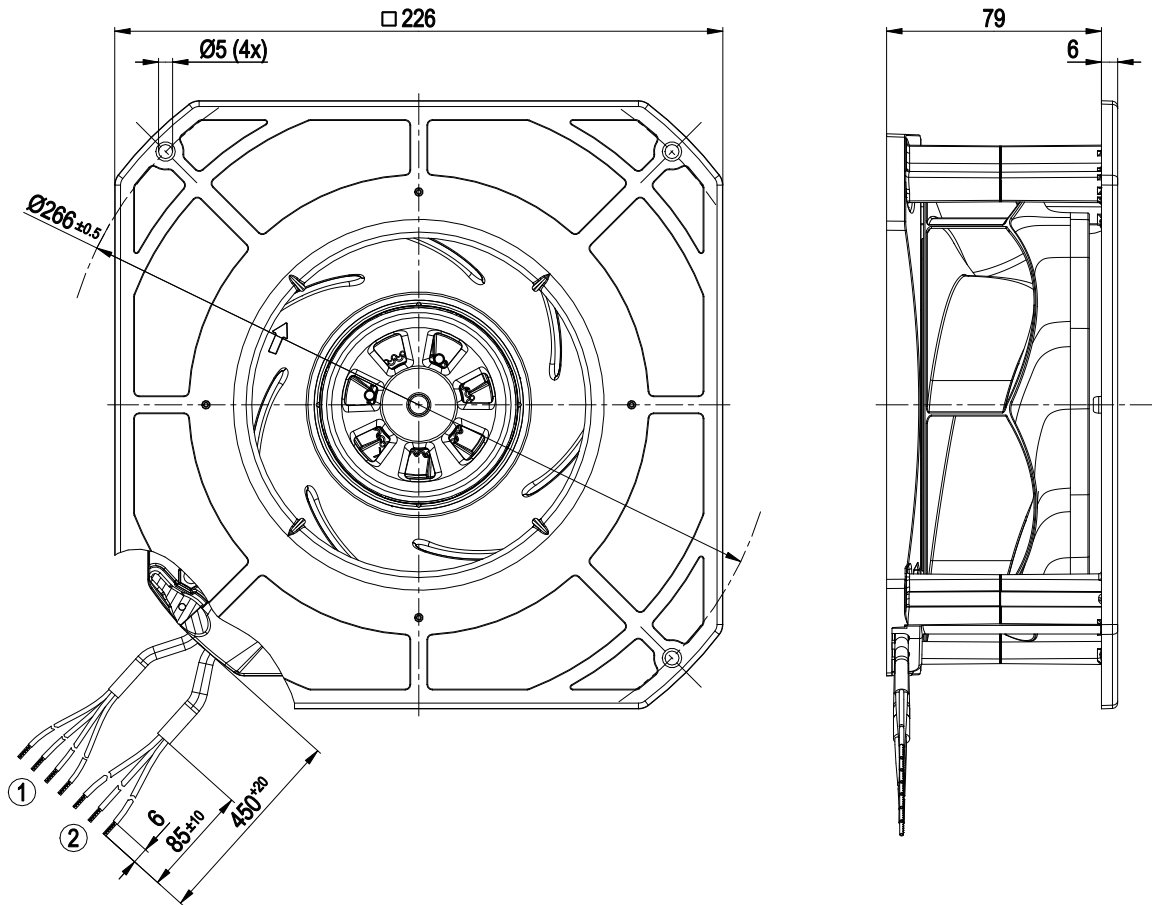
ml = Max. load · me = Max. efficiency · fa = Free air · cs = Customer specification · ce = Customer equipment
Subject to change

backward-curved
with housing

Technical description

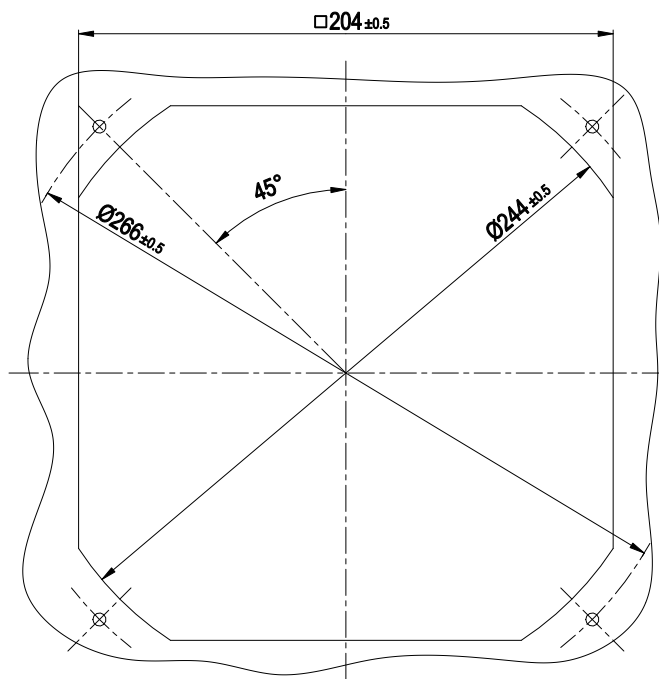
Weight	1.4 kg
Size	175 mm
Motor size	55
Rotor surface	Thick-film passivated
Impeller material	PA plastic
Housing material	PA plastic
Number of blades	7
Direction of rotation	Clockwise, viewed toward rotor
Degree of protection	IP54
Insulation class	"B"
Moisture (F) / Environmental (H) protection class	H1
Max. permitted ambient temp. for motor (transport/storage)	+ 80 °C
Min. permitted ambient temp. for motor (transport/storage)	- 40 °C
Installation position	Any
Condensation drainage holes	On rotor side
Mode	S1
Motor bearing	Ball bearing
Technical features	<ul style="list-style-type: none"> - Output 10 VDC, max. 1.1 mA - Tach output - Power limiter - Motor current limitation - Soft start - Control input 0-10 VDC / PWM - Control interface with SELV potential safely disconnected from the mains - Overvoltage detection - Thermal overload protection for electronics/motor - Line undervoltage detection
EMC immunity to interference	According to EN 61000-6-2 (industrial environment)
EMC circuit feedback	According to EN 61000-3-2/3
EMC interference emission	According to EN 61000-6-3 (household environment)
Touch current according to IEC 60990 (measuring circuit Fig. 4, TN system)	<= 3.5 mA
Motor protection	Electronic motor protection
With cable	Variable
Protection class	I (with customer connection of protective earth)
Conformity with standards	EN 60335-1; CE
Approval	CSA C22.2 No. 77 + CAN/CSA-E60730-1; UL 1004-7 + 60730-1; EAC

Product drawing



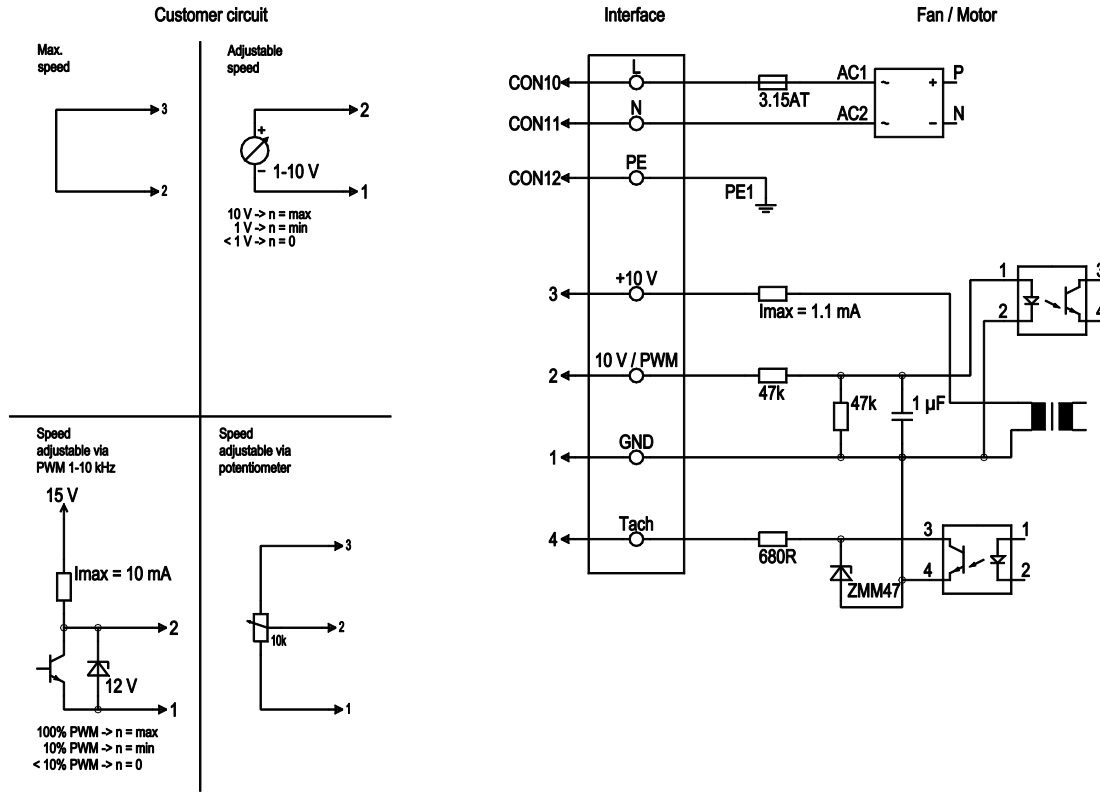
1	Cable PVC AWG22	4x splice	2	Cable PVC AWG20
	3x splice			

Mounting dimensions



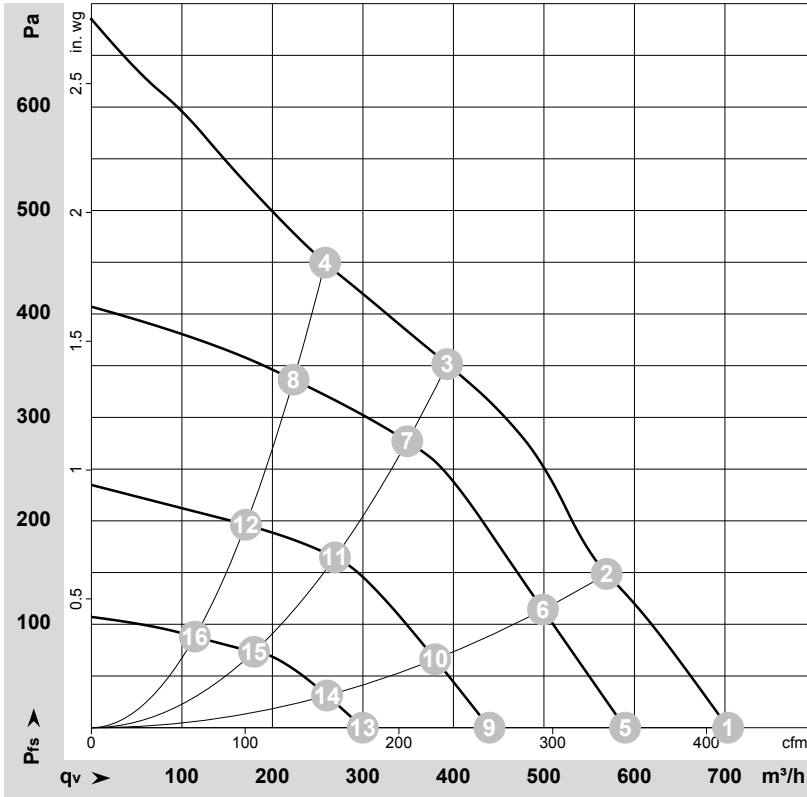
backward-curved
with housing

Connection diagram



No.	Conn.	Designation	Color	Function/assignment
	CON10	L	black	Power supply 230 VAC, 50-60 Hz, see nameplate for voltage range
	CON11	N	blue	Neutral conductor
	CON12	PE	green/yellow	Protective earth
	1	GND	blue	GND connection for control interface
	2	0-10V PWM	yellow	Control input 0-10 V or PWM, electrically isolated
	3	10 V / max. 1,1 mA	red	Voltage output 10 VDC 1.1 mA, electrically isolated, short-circuit-proof
	4	Tacho	white	Tach output: open collector, 1 pulse per revolution, electrically isolated

Curves: Air performance 50 Hz



$\rho = 1.15 \text{ kg/m}^3 \pm 2 \%$

Measurement: LU-155217-1
Measurement: LU-159483-1
Measurement: LU-159485-1
Measurement: LU-159487-1

Air performance measured according to ISO 5801 installation category A. For detailed information on the measurement setup, contact ebmpapst. Intake sound level: Sound power level according to ISO 13347 / sound pressure level measured at 1 m distance from fan axis. The values given are valid under the specified measuring conditions and may vary due to conditions of installation. For deviations from the standard configuration, the parameters have to be checked on the installed unit.

Measured values

	Wired	U	f	n	P _{ed}	I	LpA _{in}	LwA _{in}	q _v	P _{fs}	q _v	P _{fs}
		V	Hz	min ⁻¹	W	A	dB(A)	dB(A)	m ³ /h	Pa	cfm	in. wg
1	1~	230	50	4050	85	0.80	70	77	705	0	415	0.00
2	1~	230	50	3815	85	0.80	64	72	570	150	335	0.60
3	1~	230	50	3740	85	0.80	59	67	395	350	230	1.41
4	1~	230	50	3825	85	0.80	62	70	260	450	150	1.81
5	1~	230	50	3395	49	0.47	64	73	590	0	345	0.00
6	1~	230	50	3330	54	0.50	61	68	500	114	295	0.46
7	1~	230	50	3290	54	0.50	55	63	350	278	205	1.12
8	1~	230	50	3355	51	0.49	57	66	225	337	130	1.35
9	1~	230	50	2530	22	0.25	59	66	440	0	260	0.00
10	1~	230	50	2505	24	0.24	53	60	380	67	225	0.27
11	1~	230	50	2500	26	0.26	48	56	270	166	160	0.67
12	1~	230	50	2530	24	0.25	51	59	170	196	100	0.79
13	1~	230	50	1725	9.0	0.11	49	58	300	0	175	0.00
14	1~	230	50	1710	9.0	0.12	43	52	260	32	155	0.13
15	1~	230	50	1675	9.0	0.11	37	46	180	73	105	0.29
16	1~	230	50	1685	9.0	0.11	41	49	115	88	65	0.35

Wired = Wiring · U = Voltage · f = Frequency · n = Speed (rpm) · P_{ed} = Power consumption · I = Current draw · LpA_{in} = Sound pressure level intake side · LwA_{in} = Sound power level intake side
q_v = Air flow · P_{fs} = Pressure increase

