

RLA97/8600Z-3045L

AC centrifugal fan

forward-curved, dual-intake
with housing (without flange)



Nominal data

Type	RLA97/8600Z-3045L	
Phase		1~
Nominal voltage	VAC	230
Frequency	Hz	50
Speed	min ⁻¹	1550
Power consumption	W	95
Current draw	A	0.78
Max. ambient temperature	°C	60
Air flow	m ³ /h	280
Pressure increase	Pa	260

ml = Max. load · me = Max. efficiency · fa = Free air · cs = Customer specification · ce = Customer equipment
Subject to change



RLA97/8600Z-3045L

AC centrifugal fan

forward-curved, dual-intake
with housing (without flange)

Technical description

Weight	2.3 kg
Impeller material	Aluminum (fire-aluminized sheet steel)
Housing material	Fire-aluminized sheet steel
Insulation class	"B"
Cable	Flat plug 6.3 x 0.8

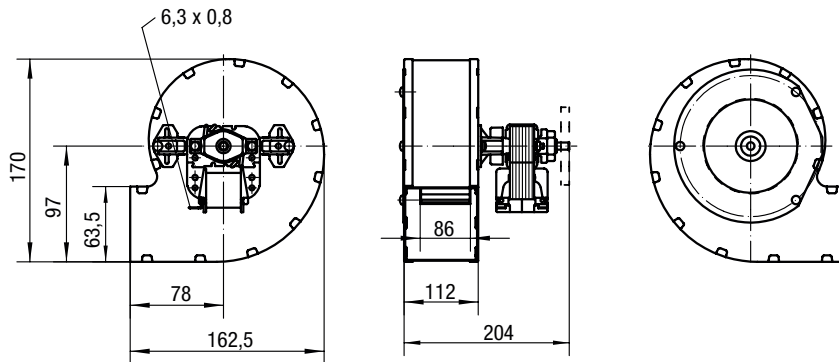


RLA97/8600Z-3045L

AC centrifugal fan

forward-curved, dual-intake
with housing (without flange)

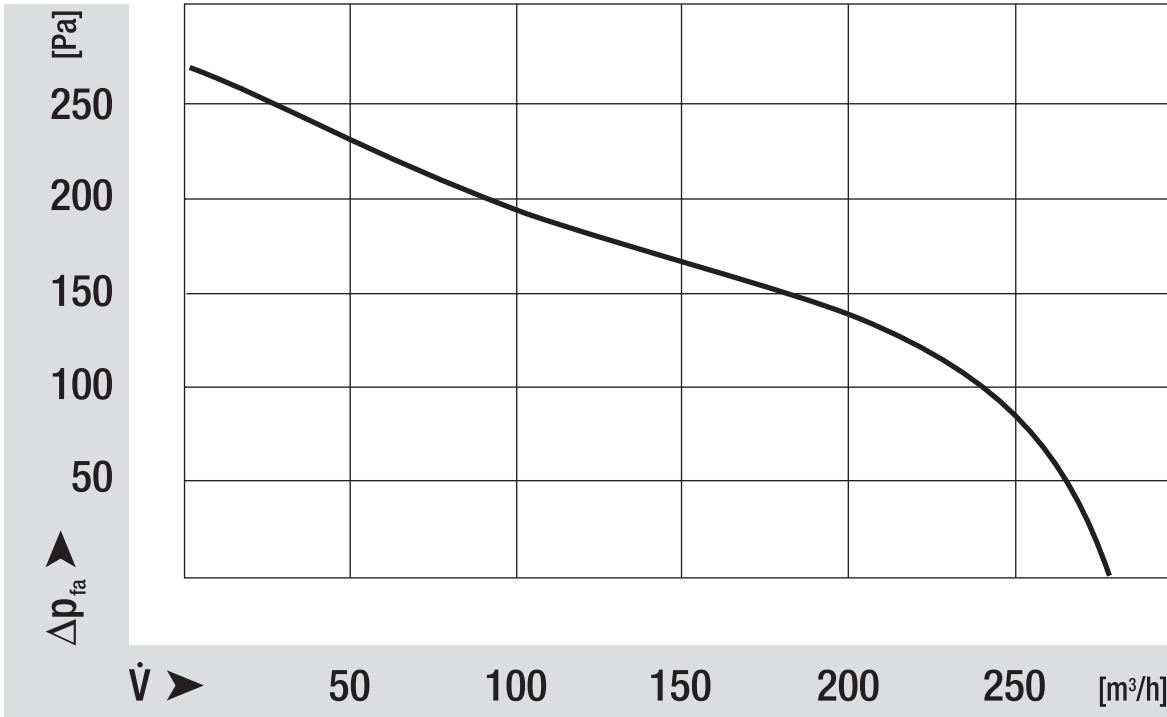
Product drawing



AC centrifugal fan

forward-curved, dual-intake
with housing (without flange)

Curves: Air performance



AC centrifugal fan

forward-curved, dual-intake
with housing (without flange)

Curves: Speed

