

RLA97/4200-3030LH

AC centrifugal fan

forward-curved, single-intake

with housing (without flange), Gas blower for conventional heating



Nominal data

Type	RLA97/4200-3030LH	
Phase		1~
Nominal voltage	VAC	230
Frequency	Hz	50
Speed	min ⁻¹	2000
Power consumption	W	41
Current draw	A	0.39
Max. temp. of flow medium	°C	250
Air flow	m ³ /h	130
Pressure increase	Pa	220

ml = Max. load · me = Max. efficiency · fa = Free air · cs = Customer specification · ce = Customer equipment
Subject to change



RLA97/4200-3030LH

AC centrifugal fan

forward-curved, single-intake

with housing (without flange), Gas blower for conventional heating

Technical description

Weight	1.6 kg
Impeller material	Fire-aluminized sheet steel
Housing material	Fire-aluminized sheet steel
Version	Installed position must be specified due to position-dependent support elements
Insulation class	"H"
Cable	Flat plug 6.3 x 0.8



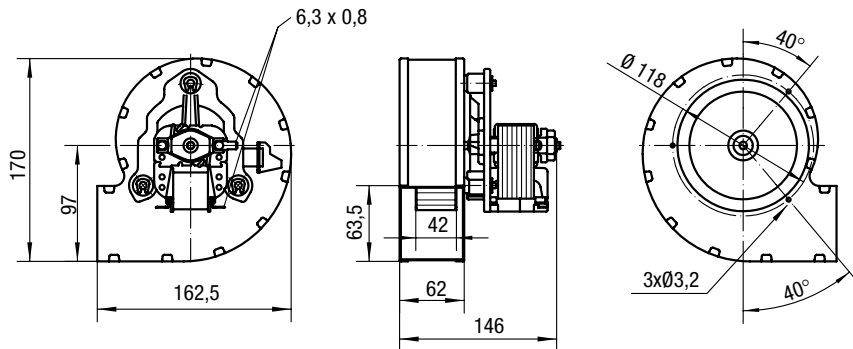
RLA97/4200-3030LH

AC centrifugal fan

forward-curved, single-intake

with housing (without flange), Gas blower for conventional heating

Product drawing

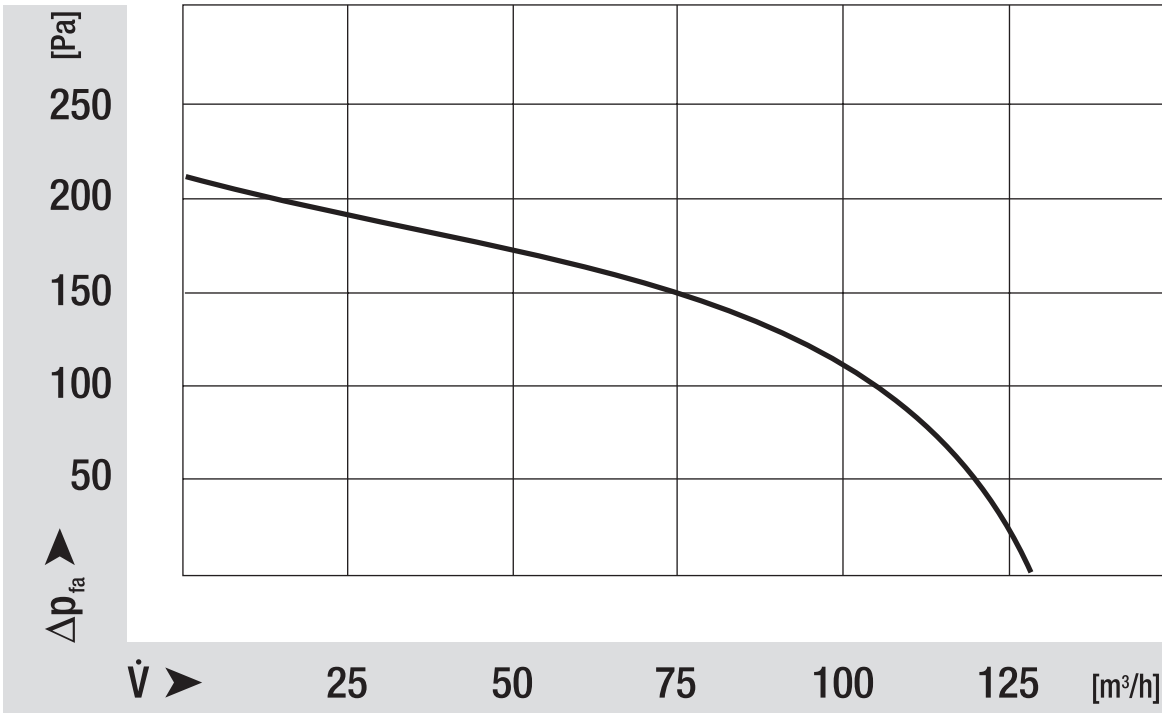


AC centrifugal fan

forward-curved, single-intake

with housing (without flange), Gas blower for conventional heating

Curves: Air performance



AC centrifugal fan

forward-curved, single-intake

with housing (without flange), Gas blower for conventional heating

Curves: Speed

