



DC centrifugal fans

Series RER 160 NTDU Ø165 x 51 mm



Highlights:

- Backward curved impeller
- Motor protection against reverse polarity and locking
- Direction of air flow: axial air intake, centrifugal air exhaust
- Connection via single strands AWG 22, TR 64, bared and tin-plated
- Ingress protection rating of IP68

Material: Impeller: Fiberglass-reinforced composite

Direction of rotation: Counterclockwise, seen on rotor



DC centrifugal fans

Series RER 133 TDU Ø133 x 91 mm



Highlights:

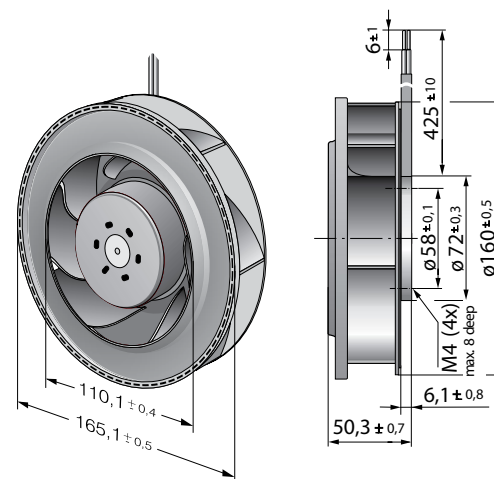
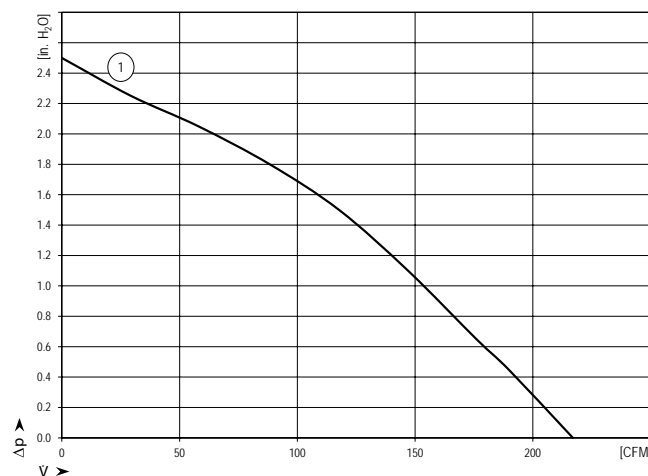
- Backward curved impeller with 3-phase efficient motor
- Motor protection against reverse polarity and locking
- Direction of air flow: axial air intake, centrifugal air exhaust
- Connection via single strands AWG 22, TR 64, bared and tin-plated
- Ingress protection rating of IP68

Material: Impeller: Fiberglass-reinforced composite

Direction of rotation: Clockwise, seen on rotor

| Nominal Data | | | | | | | | | | | | | | Nominal Data | | | | | | | | | | | | | |
|--------------------|-----------------|------------------------|----------------------|-------------------------------|-----------------------------|---------------|----------------------|--------------|-------------------------|-----------|---------------------------|-------------|--------|----------------------|-----------------|------------------------|----------------------|-------------------------------|-----------------------------|---------------|----------------------|--------------|-------------------------|-----------|---------------------------|-------------|--------|
| Type | Air flow CFM | Nominal voltage VDC | Voltage range VDC | Sound pressure level dB(A) | Sound power level Bel(A) | Ball bearings | Power input Watts | Speed RPM | Temperature range °C | Mass g | Ingress Protection Rating | UL Approval | Curves | Type | Air flow CFM | Nominal voltage VDC | Voltage range VDC | Sound pressure level dB(A) | Sound power level Bel(A) | Ball bearings | Power input Watts | Speed RPM | Temperature range °C | Mass g | Ingress Protection Rating | UL Approval | Curves |
| RER 160-28/18NTDAU | 217.0 | 48 | 38...57 | - | 7.4 | Yes | 51 | 4200 | -20...60 | 700 | IP68 | Yes | 1 | RER 133-41/18/2TDLOU | 211.9 | 48 | 36...57 | - | 6.9 | Yes | 30.1 | 4000 | -20...70 | 740 | IP68 | Yes | 1 |

Curves



Curves

