



## DC centrifugal fans

Series RG 160 NU 220 x 220 x 56 mm



### Highlights:

- Backward curved impeller
- Motor protection against reverse polarity and locking.
- Direction of air flow: axial air intake, centrifugal air exhaust
- Connection via single strands AWG 22, TR 64, bared and tin-plated
- Ingress protection rating of IP68

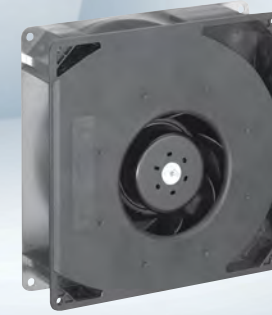
**Material:** Impeller: Fiberglass-reinforced composite  
Housing: Fiberglass-reinforced composite scroll  
Baseplate: Steel

**Direction of rotation:** Counterclockwise, seen on rotor



## DC centrifugal fans

Series RG 160 NTDU 220 x 220 x 56 mm



### Highlights:

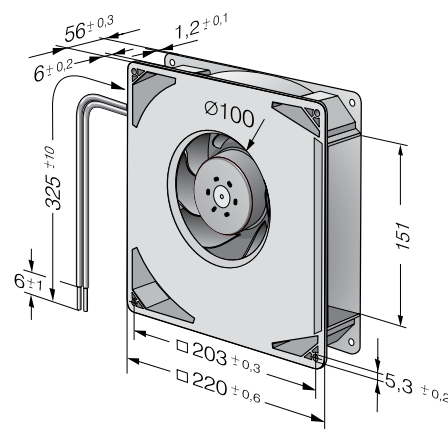
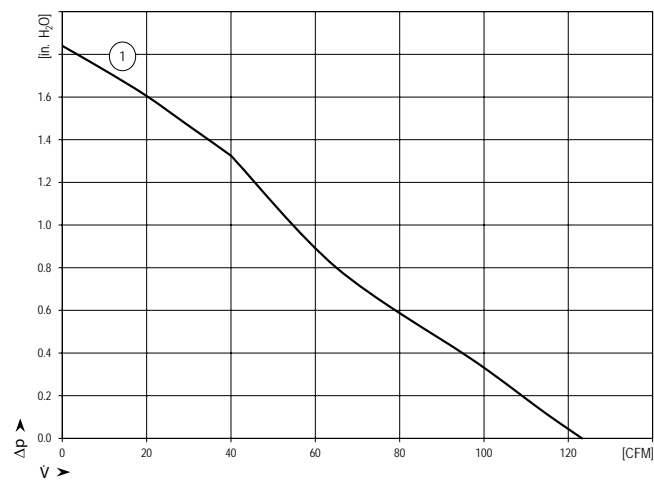
- Backward curved impeller
- Motor protection against reverse polarity and locking.
- Direction of air flow: axial air intake, centrifugal air exhaust
- Connection via single strands AWG 22, TR 64, bared and tin-plated
- Ingress protection rating of IP68

**Material:** Impeller: Fiberglass-reinforced composite  
Housing: Fiberglass-reinforced composite scroll  
Baseplate: Steel

**Direction of rotation:** Counterclockwise, seen on rotor

Nominal Data														Nominal Data														
Type	Air flow CFM	Nominal voltage VDC	Voltage range VDC	Sound pressure level dB(A)	Sound power level Bel(A)	Ball bearings	Power input Watts	Speed RPM	Temperature range °C	Mass g	Ingress Protection Rating	UL Approval	Curves	Type	Air flow CFM	Nominal voltage VDC	Voltage range VDC	Sound pressure level dB(A)	Sound power level Bel(A)	Ball bearings	Power input Watts	Speed RPM	Temperature range °C	Mass g	Ingress Protection Rating	UL Approval	Curves	
RG 160-28/14NU	123.0	24	12...28	-	6.6	Yes	20	2850	-20...70	1400	IP68	Yes	1	RG 160-28/18N/2TDPU-331	182.5	48	38...57	-	7.5	Yes	57.6	4270	-20...75	1400	IP68	Yes	1	
RG 160-28/18NU	123.0	48	28...60	-	6.6	Yes	20	2850	-20...70	1400	IP68	Yes	1															

### Curves



### Curves

