

KDRE 45**

Item Number: [93291](#)

Variant: 230V 1~ 50Hz

Speed-controllable

Integral thermal contacts

Can be installed in any positions

Maintenance-free and reliable

KDRE/KDRD fans have an external rotor motor with a mixed flow type impeller. The KDRE/KDRD series is notable for its relatively high static pressure and high level of efficiency. The casing is manufactured from galvanised sheet steel.

To protect the motor from overheating, the KDRE/KDRD fans have integral thermal contacts with leads for connection to a motor protection device.

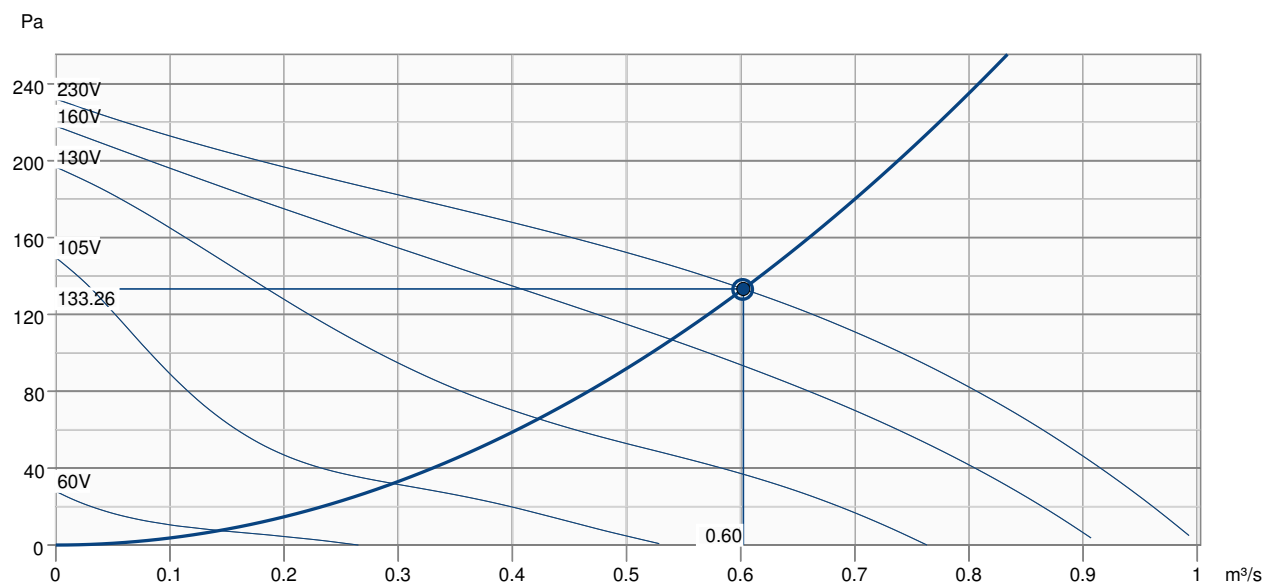
The fans can be installed in any position and are easy to connect using the DS flexible connections.



Technical parameters

Nominal data		
Voltage (nominal)	230	V
Frequency	50	Hz
Phase(s)	1~	
Input power	325	W
Input current	1.55	A
Impeller speed	1,387	r.p.m.
Air flow	max 1,003	L/s
Temperature of transported air	max 70	°C
Maximum temperature of transported air, when speed controlled	70	°C
Sound data		
Sound pressure level at 3m (20m ² Sabin)	45	dB(A)
Protection/Classification		
Enclosure class, motor	IP54	
Insulation class	F	
Dimensions and weights		
Weight	22	kg
Others		
Motor type	AC	

Performance curve

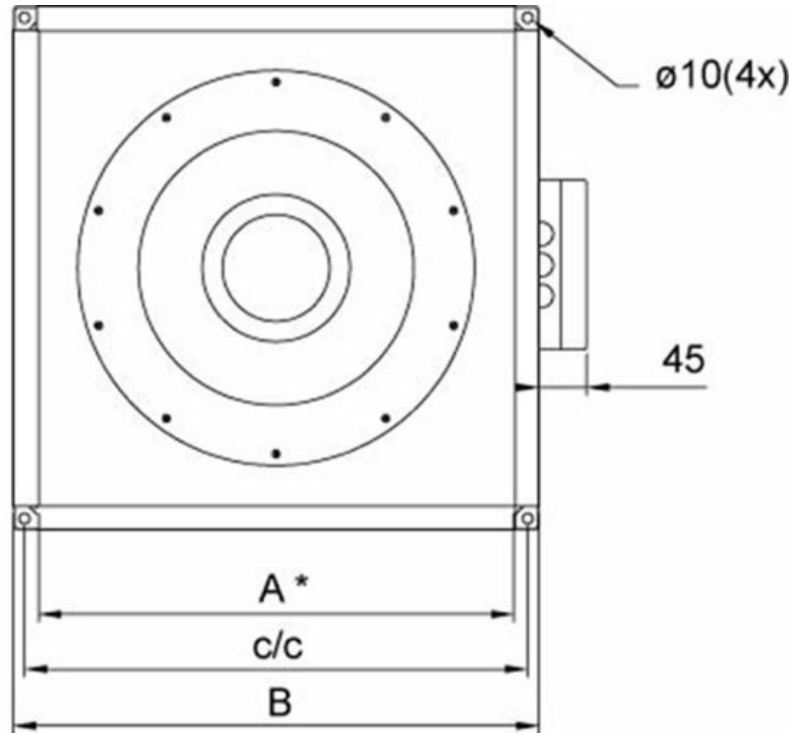
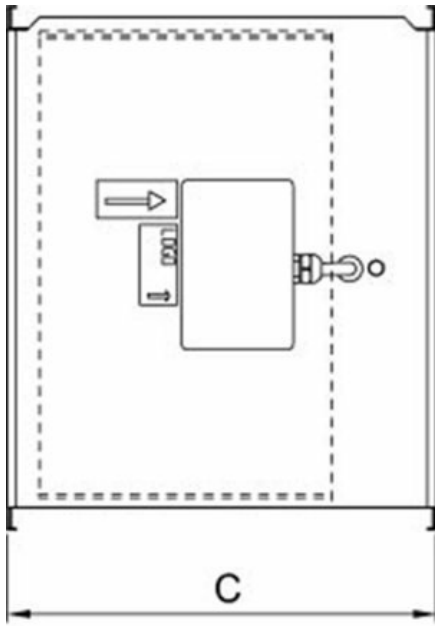


Hydraulic data

Required air flow	0.60 m³/s
Required static pressure	133 Pa
Working air flow	0.60 m³/s
Working static pressure	133 Pa
Air density	1.204 kg/m³
Power	322.2 W
Fan control - RPM	1388 rpm
Current	1.53 A
SFP	0.535 kW/m³/s
Control voltage	230.0 V
Supply voltage	230 V

Sound power level		63	125	250	500	1k	2k	4k	8k	Total
Inlet	dB(A)	46	62	64	65	64	62	57	51	71
Outlet	dB(A)	51	60	64	67	71	68	58	49	74
Surrounding	dB(A)	33	40	49	47	47	43	36	31	53

Dimension



Wiring

230V 1~

