



**Ordering Key**

G D H 200 48 Z D1  
1 2 3 4 5 6 7

- 1: Greegoo brand;
- 2: Switch type: S - small size (1-5A),  
D - single phase, T - three phase;
- 3: Output method, blank - triac output, H - SCR output;
- 4: Rated working current (A);
- 5: Rated working voltage (V) (24:240 V,44:440V,48:480V);
- 6: Control method Z - Zero, R - Random;
- 7: Control voltage D: 3-8V, D1 - 4-16VDC, D3 - 3-32VDC, A2 - 90-250VAC.

**GDH 200 to 350 Amps AC SSR**

Series GD Solid State Relays are AC relays, Triac Output. The triac version of the zero switching relay is an inexpensive solution for resistive loads. The zero switching relay switches on when the AC sine voltage just crosses zero, and switches off when the current crosses zero.

- Rated operational current 200A to 350Amps.
- Rated operational voltage 280V or 480 V
- Input Voltage Range 4 to 16 Vdc, 3 to 32 Vdc or 90 to 250 Vac.
- 4000 Vrms Optical Isolation.(input/output)
- Both "Zero Voltage" & phase controllable "Random Switching" versions.
- LED-indication for control input.

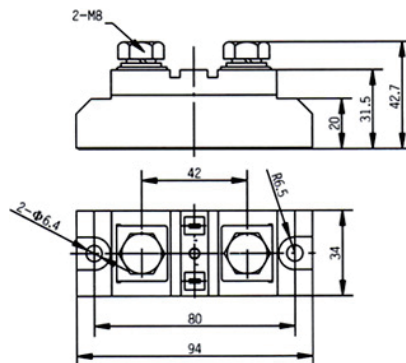
**Type Selection**

- Mounting type  
D: AC Single phase Solid State Relay
- Rated operational current  
200: 200Amp, 250: 250Amp, 300: 300Amp, 350:350Amp
- Rated operational voltage  
28: 280VAC, 48: 480VAC.
- Switched mode  
Z: Zero Voltage,R: Random Switching.
- Input Control voltage  
D1: DC 4to16V, D3: DC 3to32V, A2:AC 90to250V.
- Case type  
Blank: Case A, 1: Case B, with LED.

**Selection guide**

Voltage	Control voltage	Rated operational current			
		200 Amp	250 Amp	300 Amp	350 Amp
280 V <sub>AC</sub> "Zero Voltage"	4to16 Vdc	GDH20028ZD1	GDH25028ZD1	GDH30028ZD1	GDH35028ZD1
	3to32 Vdc	GDH20028ZD3	GDH25028ZD3	GDH30028ZD3	GDH35028ZD3
	90to250Vac	GDH20028ZA2	GDH25028ZA2	GDH30028ZA2	GDH35028ZA2
280 V <sub>AC</sub> "Random Switching"	4to16 Vdc	GDH20028ZD1	GDH25028ZD1	GDH30028ZD1	GDH35028ZD1
	3to32 Vdc	GDH20028ZD3	GDH25028ZD3	GDH30028ZD3	GDH35028ZD3
	90to250Vac	GDH20028ZA2	GDH25028ZA2	GDH30028ZA2	GDH35028ZA2
480 V <sub>AC</sub> "Zero Voltage"	4to16 Vdc	GDH20048ZD1	GDH25048ZD1	GDH30048ZD1	GDH35048ZD1
	3to32 Vdc	GDH20048ZD3	GDH25048ZD3	GDH30048ZD3	GDH35048ZD3
	90to250Vac	GDH20048ZA2	GDH25048ZA2	GDH30048ZA2	GDH35048ZA2
480 V <sub>AC</sub> "Random Switching"	4to16 Vdc	GDH20048RD1	GDH25048RD1	GDH30048RD1	GDH35048RD1
	3to32 Vdc	GDH20048RD3	GDH25048RD3	GDH30048RD3	GDH35048RD3
	90to250Vac	GDH20048RA2	GDH25048RA2	GDH30048RA2	GDH35048RA2

**Dimension**



**Specifications**

Parameter-list	Units	Specification Limits	
Input Parameter ① D1	D1	D3	A2
Control Voltage Range	4 to 16Vdc	3 to 32 Vdc	90 to250Vac
Input Current (Max.) @=5V/12V	13/42 @=5x/12v	13/16 @=5V/24V	
Must Turn On Voltage	4 Vdc	3 Vdc	90Vac
Must Turn Off Voltage	1 Vdc	1 Vdc	1Vav
Reverse Voltage (Max.)	32 Vdc	32 Vdc	
Display LED	yes	yes	yes

Output Parameter ②	Units	Specification Limits			
Model No. GDH		200	250	300	350
Load Current Range	Arms	0.05 to 200	0.05 to 250	0.05 to 300	0.05 to 350
Surge Current, 20 mSec (Max.)	Arms	2500	3400	4500	5000
Load Voltage Range (280V)	Vrms	24 to 280			
SCR interdiction voltage (280V)	Vpk	≥800			
Load Voltage Range (480V)	Vrms	44 to 480			
SCR interdiction voltage (480V)	Vpk	≥1200			
Frequency Range	Hz	47 to 63			
Off State dv/dt (Min)	V/μsec	500			
Off State Leakage Current (Max.)	mArms	≤10			
On State Voltage Drop (Max.)	Vrms	1.8			
Thermal Resistance, (Rthjc)	°C/w	0.22	0.15	0.14	0.13
Turn On Time (Max.) "Z"	Cycle	1/2			
Turn On Time (Max.) "R"	mSec	1			
Turn Off Time (Max.)	Cycle	1/2			
Turn Off Time (Max.) "A2"	mSec	40			

**Coupling Specifications**

Dielectric (Input/Output)	Arms	2500
Dielectric (Input-Output/Base)	Arms	2500
Capacitance	pf	10

**General Specifications**

Ambient temperature range:	operating or Storage	-30°C to +80°C
Weight: ( typico)	g	280
Base plate: Aluminum or Copper, nickel-plated		
Case Color: Black		
Mounting Dimensions	LxWxH	Case: 94x34x42.7mm