

Radial blowers with EC external-rotor motor

G3G250 –115/230 VAC



material

- housing: aluminium
- impeller: sheet aluminium
- cover: plastic PPTD20

interface

- see page 88, interface no. 7

premix

- If gas needs to be premixed in the blower, then a special blower will have to be used. For further details, please contact us.

approvals

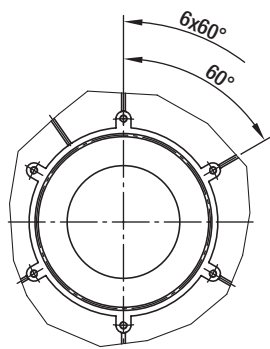
- 115 VAC: UL

ebm-papst • Muldingen

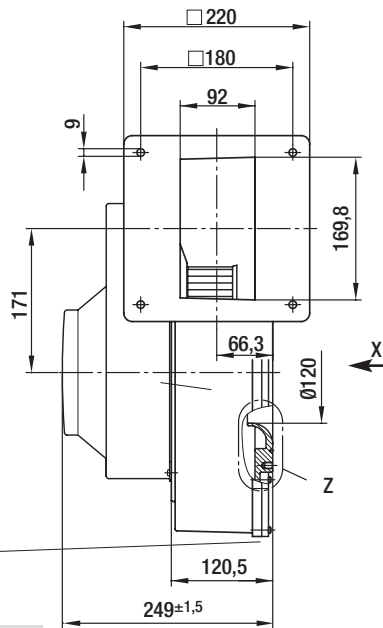
Nominal data	characteristic curve	voltage range	frequency	air volume	max. power input*	speed*	max. current draw*	perm. temp. of medium	perm. amb. motor temp.	mass
type		VDC	Hz	m ³ /h	W	min ⁻¹	A	°C	°C	kg
G3G 250 -GN39 -01	②	100-130	50/60	1650	1200	4800	13,0	60	60	12,8
G3G 250 -GN44 -01	①	208-240	50/60	1500	860	4500	4,8	60	60	12,8
G3G 250 -GN17 -01	②	208-240	50/60	1650	1150	4800	5,7	60	60	12,8

subject to alterations; *nominal data in duty point at maximum load and 100 respectively 208 VAC

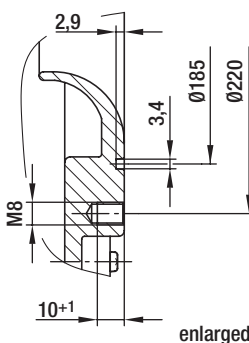
view X



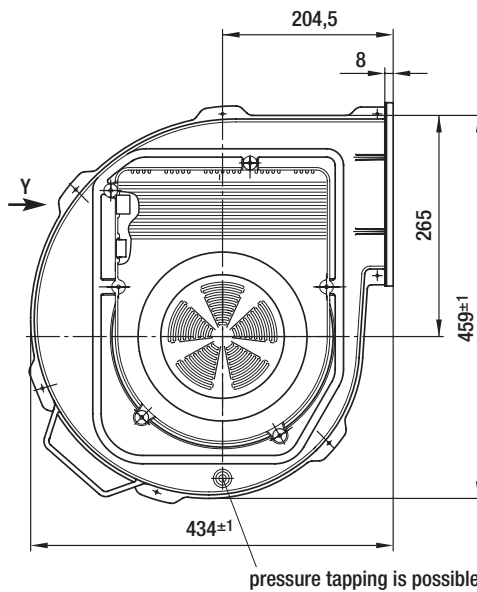
sideplates of housing sealed with rubber loop (NBR pentane-resistant)



detail Z

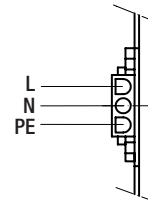


enlarged

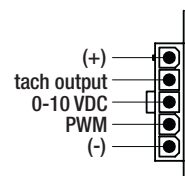


view Y

mains connection
3-pole header
mating connector
(not part of delivery):
tyco no. 350 766-1
female terminal:
tyco no. 926 884-1



control
5-pole header
mating connector
(not part of delivery):
Molex no. 39-01-4050
female terminal:
Molex no. 39-00-0059



Characteristic curves

