

Radial blowers with EC external-rotor motor

G1G170 – 115/230 VAC with linear input (0-10 VDC)



material

- housing: aluminium
- impeller: sheet aluminium
- cover: plastic PP30TV

interface

- see page 87, interface no. 6

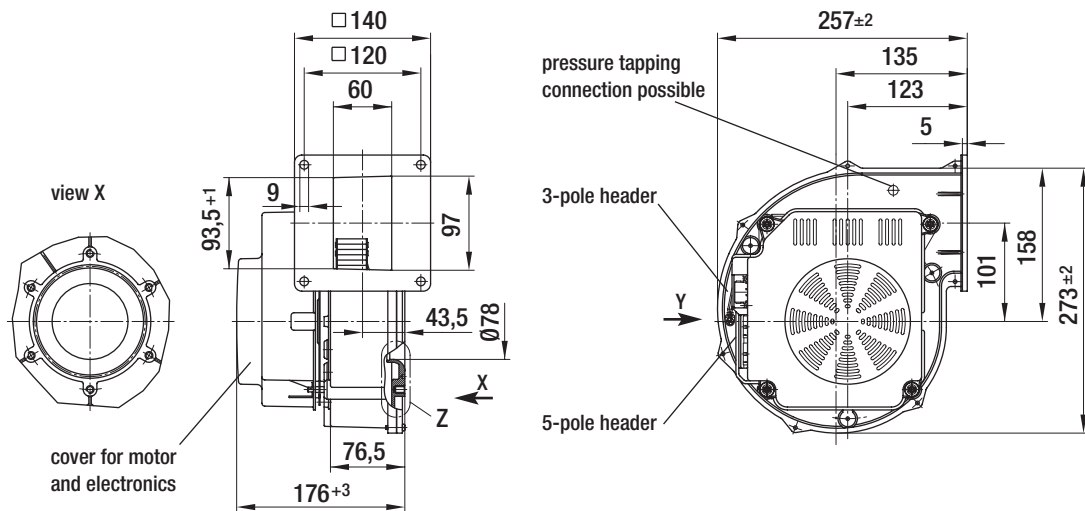
premix

- If gas needs to be premixed in the blower, then a special blower will have to be used. For further details, please contact us.

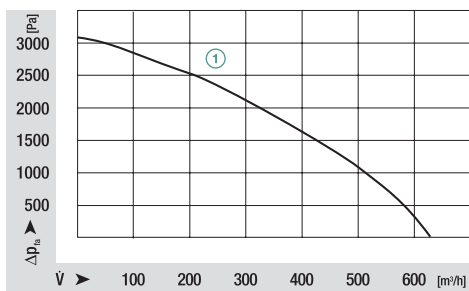
ebm-papst • Muldingen

Nominal data	characteristic curve	voltage	frequency	air volume	back pressure min.	power input	speed	current draw	perm. temp. of medium	perm. amb. motor temp.	mass
type	VAC	Hz	m ³ /h	Pa	W	min ⁻¹	A	°C	°C	kg	
G1G 170 -AB05 -81	①	115	50/60	645	0	345	5730	4,0	80	55	4,8
G1G 170 -AB53 -80	①	230	50/60	645	0	360	5830	2,2	80	55	4,8

subject to alterations

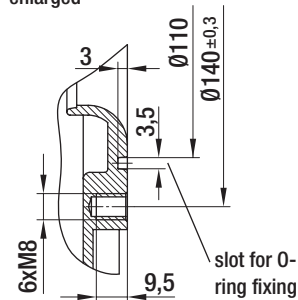


Kennlinien



detail Z

enlarged



view Y

mains connection
3-pole header
mating connector
(not part of delivery):
tyco no. 350 766-1
female terminal:
tyco no. 926 884-1

control
5-pole header
mating connector
(not part of delivery):
Molex no. 39-01-4050
female terminal:
Molex no. 39-00-0059

