

Radial blowers with EC external-rotor motor

G1G144 – 115/230 VAC



material

- housing: aluminium
- impeller: plastic PA 6
- cover: plastic PP30TV

interface

- see page 86, interface no. 4

premix

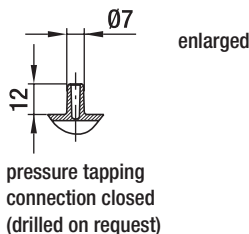
- If gas needs to be premixed in the blower, then a special blower will have to be used. For further details, please contact us.

ebm-papst • Muldingen

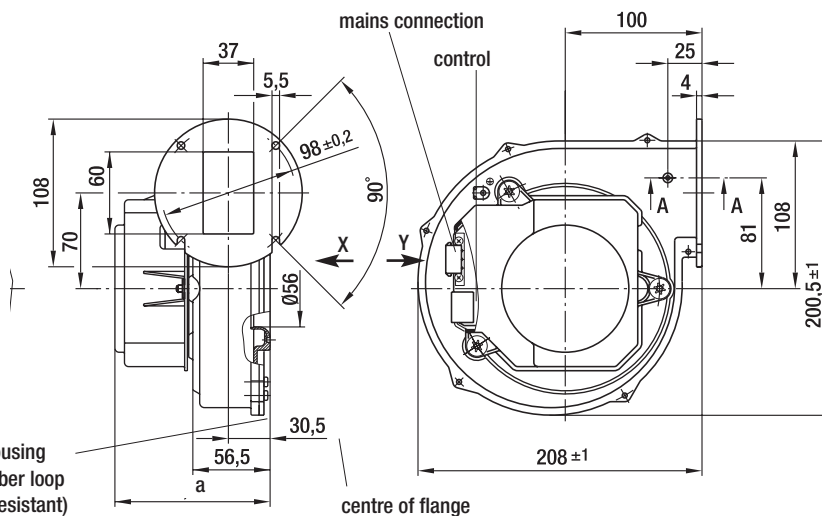
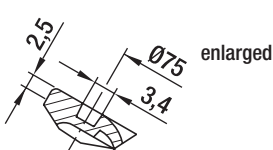
Nominal data	characteristic curve	voltage	frequency	air volume	back pressure min.	power input	speed	current draw	perm. temp. of medium ⁽¹⁾	perm. amb. motor temp.	mass	dimensions mm
												a
type		VAC	Hz	m ³ /h	Pa	W	min ⁻¹	A	°C	°C	kg	
G1G 144 -AF45 -01	①	115	50/60	205	0	83	4900	1,00	80	70	1,6	113,5±1,5
G1G 144 -AF49 -01	①	230	50/60	193	0	75	4800	0,50	80	70	1,6	113,5±1,5
G1G 144 -AF49 -70 ⁽²⁾	①	230	50/60	193	0	75	4800	0,50	80	70	1,6	122,5±1,5
G1G 144 -AF25 -01	②	230	50/60	170	600	94	5400	0,67	80	70	1,6	113,5±1,5

⁽¹⁾with shortterm < 10 h, permanent temperature 50 °C; ⁽²⁾de-couplet design; subject to alterations

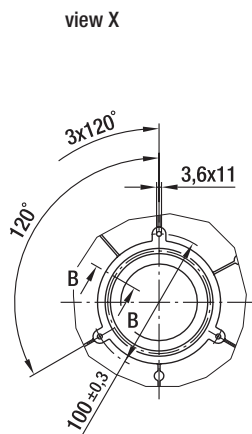
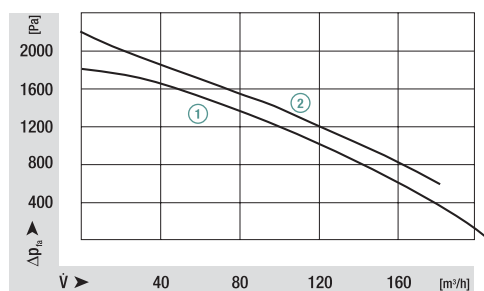
section A-A



section B-B



Characteristic curves



view Y

mains connection
3-pole header
mating connector (not part of delivery): tyco no. 350 766-1
female terminal: tyco no. 926 884-1

control
5-pole header
mating connector (not part of delivery): Molex no. 39-01-4050
female terminal: Molex no. 39-00-0059

