

# Radial blowers with EC external-rotor motor

G1G144 – 24 VDC



## material

- housing: aluminium
- impeller: plastic PA 6
- cover: plastic PP30TV

## interface

- see page 86, interface no. 3

## premix

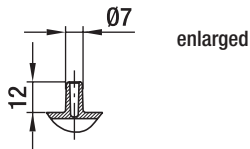
- If gas needs to be premixed in the blower, then a special blower will have to be used. For further details, please contact us.

ebm-papst • Mulfingen

Nominal data	voltage	voltage range	air volume	power input	speed	current draw	perm. temp. of medium <sup>(1)</sup>	perm. amb. motor temp.	mass	dimensions mm
type	VDC	VDC	m <sup>3</sup> /h	W	min <sup>-1</sup>	A	°C	°C	kg	a
G1G 144 -AE13 -50	24	16-28	175	51	4300	2,50	80	70	1,5	111,5±1,5
G1G 144 -AE13 -70 <sup>(2)</sup>	24	16-28	175	51	4300	2,50	80	70	1,5	118,5±1,5

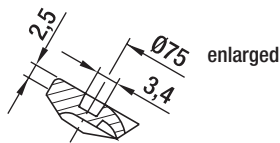
<sup>(1)</sup>with shortterm operation < 10 h, permanent temperature 50 °C; <sup>(2)</sup>de-couplet design; subject to alterations

### section A-A

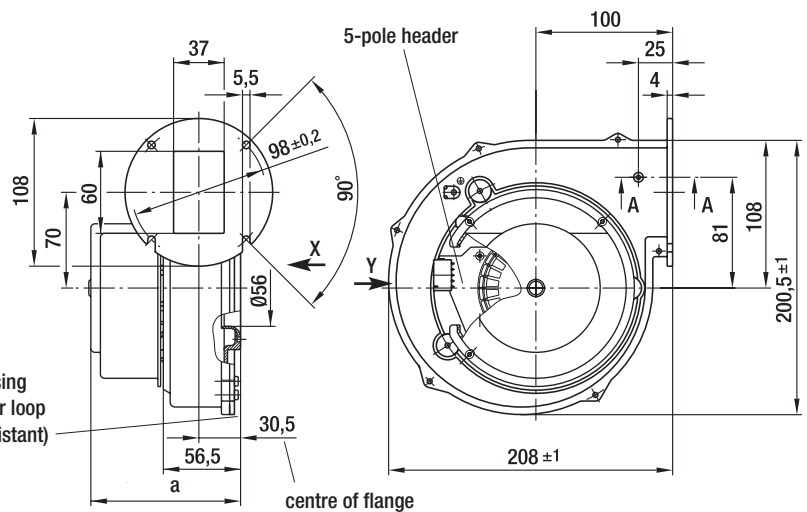


pressure tapping connection closed (drilled on request)

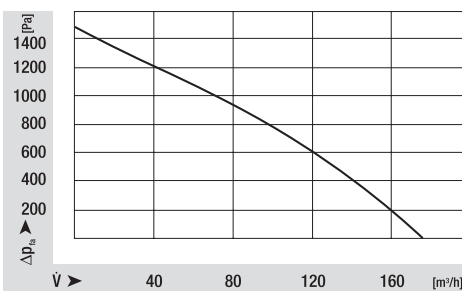
### section B-B



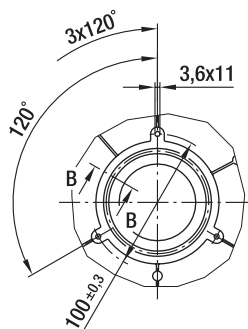
sideplates of housing sealed with rubber loop (NBR pentane-resistant)



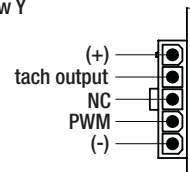
## Characteristic curves



### view X



### view Y



## control

5-pole header  
mating connector  
(not part of delivery):  
Molex no. 39-01-4050  
female terminal:  
Molex no. 39-00-0059