

Radial blowers with EC external-rotor motor

G1G126 – 115/230 VAC

material

- housing: aluminium
- impeller: plastic PA 6
- cover: plastic PP30TV

interface

- see page 86, interface no. 4

premix

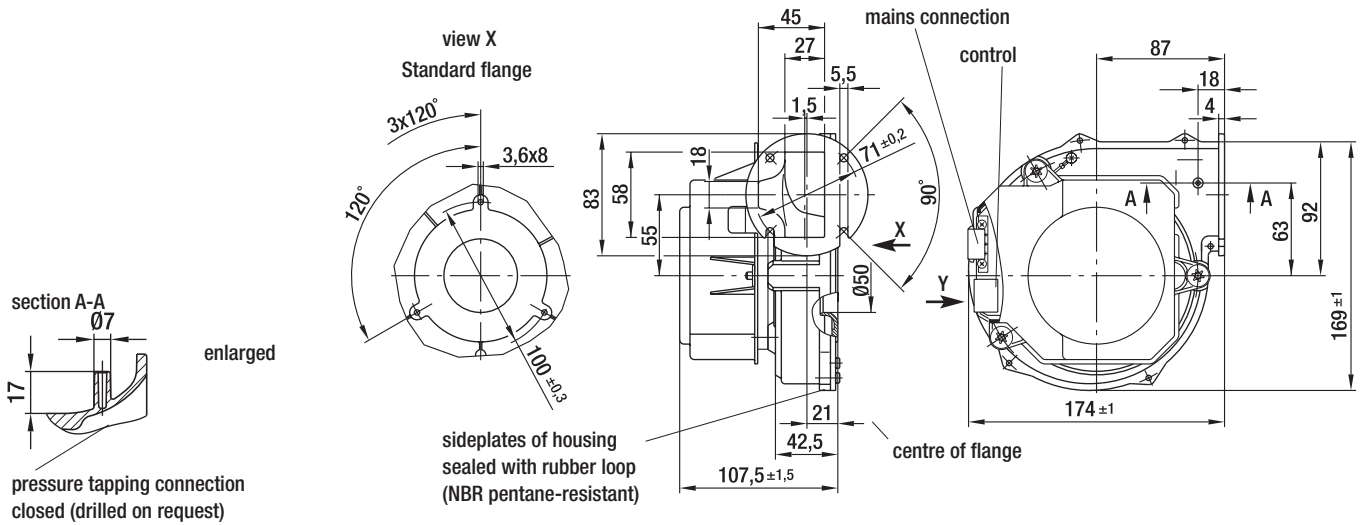
- If gas needs to be premixed in the blower, then a special blower will have to be used. For further details, please contact us.

ebm-papst • Muldingen

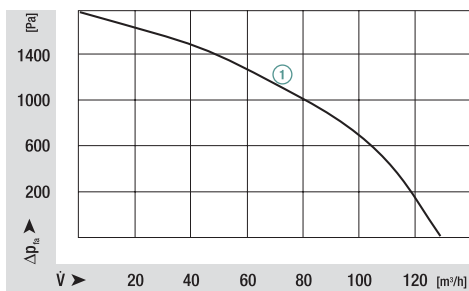


Nominal data	characteristic curve	voltage	frequency	air volume	power input	speed	current draw	perm. temp. of medium	perm. amb. motor temp.	mass
type	VAC	Hz	m ³ /h	W	min ⁻¹	A	°C	°C	kg	
G1G 126 -AA45 -71 (Standard flange)	①	115	50/60	130	75	5100	1,10	80	70	1,4
G1G 126 -AA49 -71 (Standard flange)	①	230	50/60	125	75	5000	0,55	80	70	1,4
G1G 126 -AA45 -74 (Honeywell flange)	①	115	50/60	120	78	5050	1,10	80	70	1,4
G1G 126 -AA49 -74 (Honeywell flange)	①	230	50/60	120	75	5000	0,61	80	70	1,4

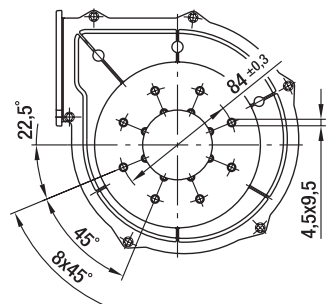
subject to alterations



Characteristic curves

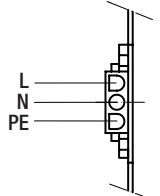


view X
Honeywell Flange



view Y

mains connection
3-pole header
mating connector
(not part of delivery):
tyco no. 350 766-1
female terminal:
tyco no. 926 884-1



control
5-pole header
mating connector
(not part of delivery):
Molex no. 39-01-4050
female terminal:
Molex no. 39-00-0059

