

Radial blowers with EC internal-rotor motor

RG 128



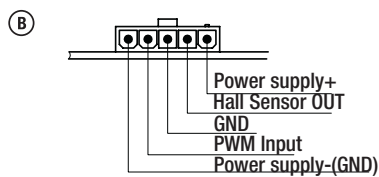
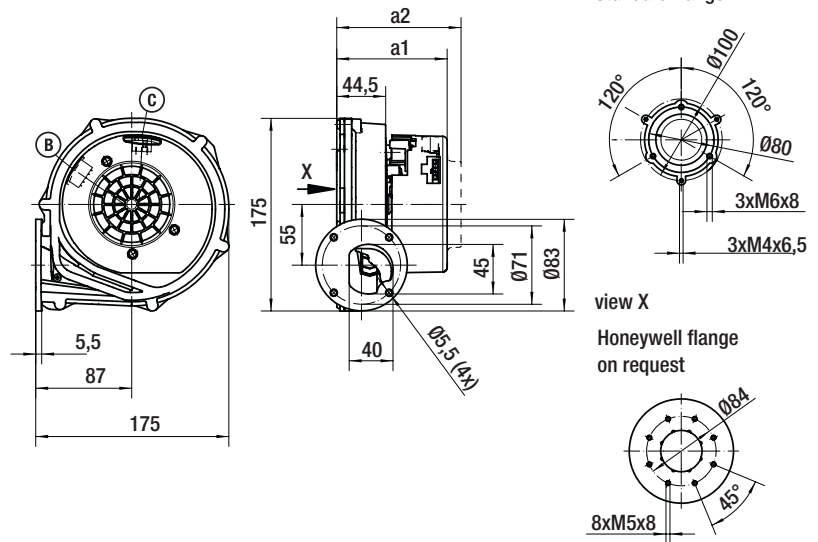
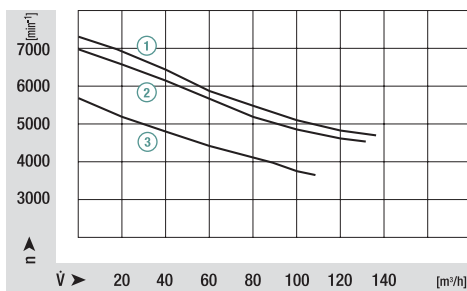
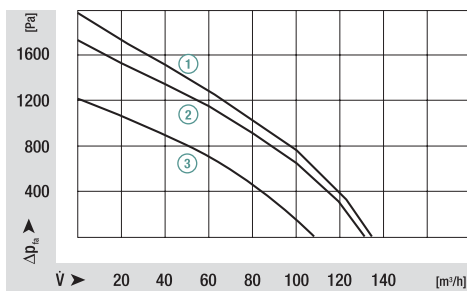
- die-cast aluminium housing
- brushless EC motor
- ball bearings
- motor anti-vibration mounted
- mounting position must be specified for corresponding support elements
- interfaces see page 85, no. 1/2

ebm-papst • Landshut

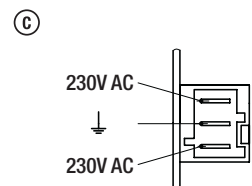
Nominal data	characteristic curve	rated voltage	frequency	max. air flow	max. pressure increase	max. power input	smax. speed	electrical connection	mass	Dimensions mm	
										type	V
RG128/1300-3612	①	230 AC	50/60	134	2000	67	7400	Ⓑ Ⓒ	1,4	-	116
RG128/1300-3612	②	24 DC	-	132	1700	61	6900	Ⓑ	1,4	-	116
RG128/1300-3612*)	③	24 DC	-	109	1200	32	5650	Ⓑ	1,4	105	-

* without cooling blade; bold print = standard type; subject to alterations

Characteristic curves



suitable for connector Molex Mini-Fit, Jr



suitable for connector RAST-5