

Radial blowers with EC internal-rotor motor

NRG 137 - 230 VAC



Material:

- housing: aluminium
- impeller: anti-static plastic
- motor protection cap: plastic

Interface:

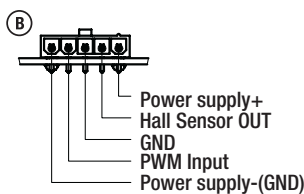
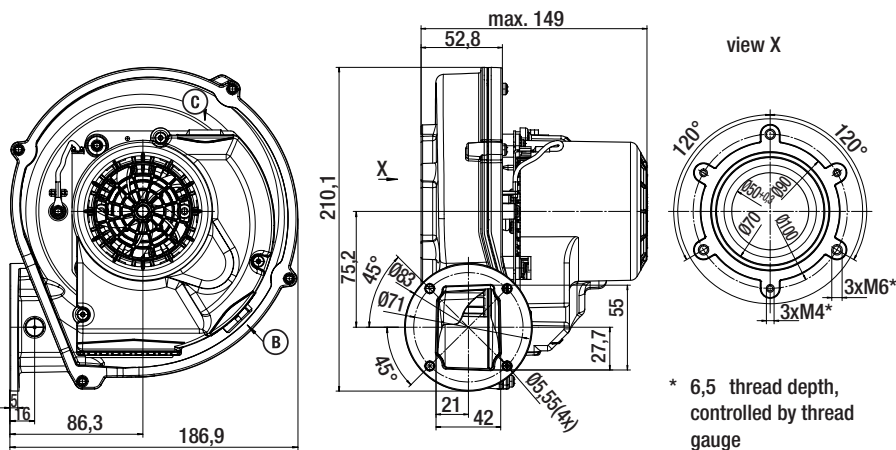
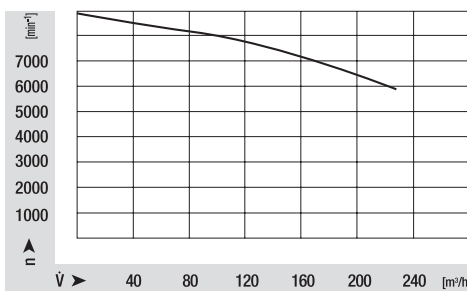
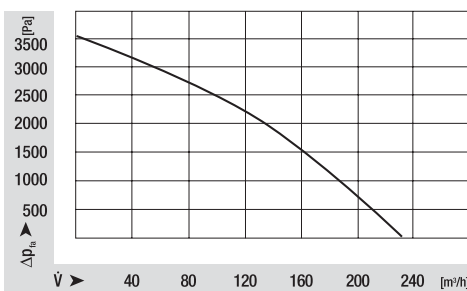
- interfaces see page 85, no. 2
- special interfaces upon request

ebm-papst • Landshut

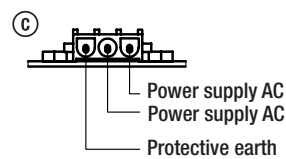
Nominal data	characteristic curve	rated voltage	frequency	max. air flow	max. pressure increase	max. power input	max. speed	electrical connection	mass
type		V	Hz	m ³ /h	Pa	W	min ⁻¹		kg
NRG137		230 AC	59/60Hz	230	3500	190	9000	Ⓑ Ⓒ	1,9

bold print = standard type; subject to alterations

Characteristic curves



suitable for connector housing Molex Mini-Fit, Jr part no. 39-01-4050 and 39-01-4051



connector housing AMP Universal MATE-N-LOK 1-350943, 3-pole header suitable for AMP Universal MATE-N-LOK connector housing 350766-4 and 3x female terminal: 926882-1 (or 926893-1)