

Radial blowers with EC internal-rotor motor

NRG 118 - 230 VAC



Material:

- housing: aluminium
- impeller: anti-static plastic
- motor protection cap: plastic

Interface:

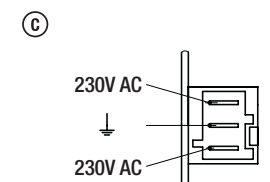
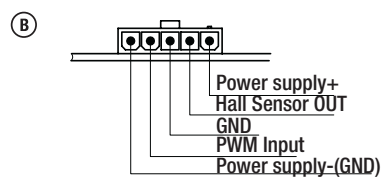
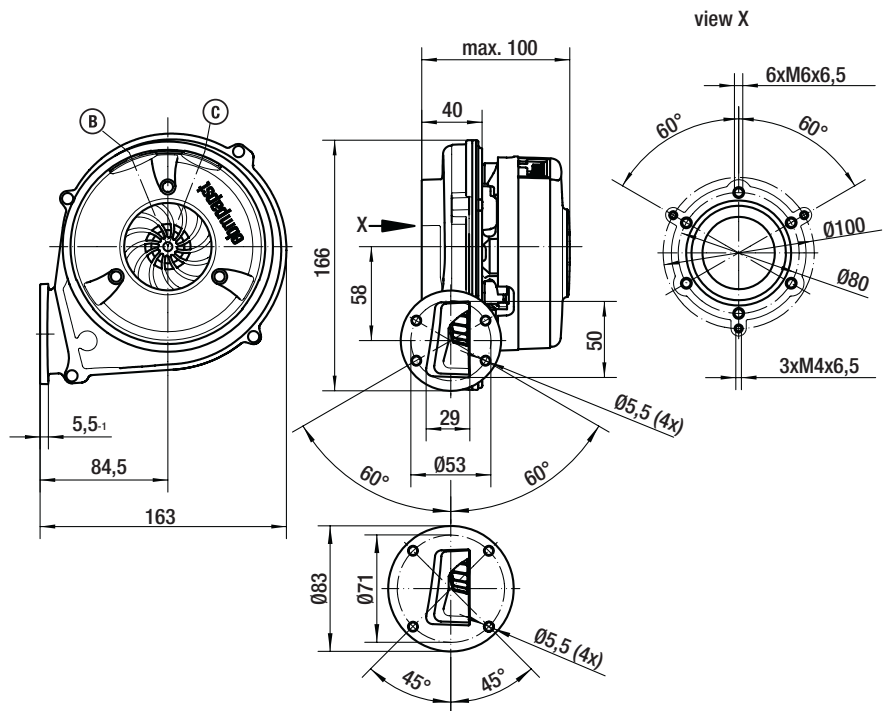
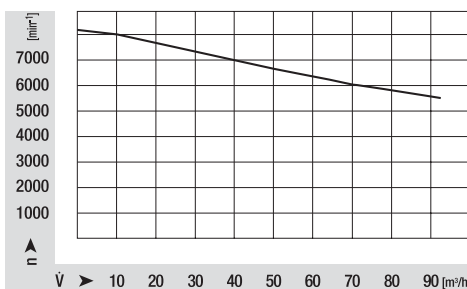
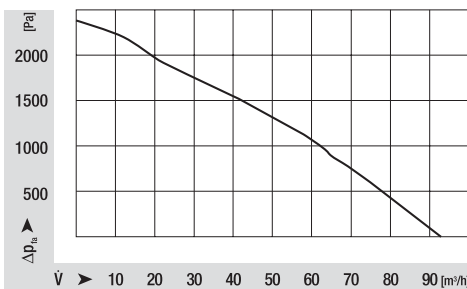
- interfaces see page 85, no. 2
- standard interface 230 VAC
- special interfaces upon request

ebm-papst • Landshut

Nominal data	characteristic curve	rated voltage	frequency	max. air flow	max. pressure increase	max. power input	max. speed	electrical connection	mass
	type	V	Hz	m ³ /h	Pa	W	min ⁻¹		kg
NRG 118		230 AC	50/60	90	2350	56	8150	Ⓑ Ⓒ	0,9

bold print = standard type; subject to alterations

Characteristic curves



suitable for connector housing Molex Mini-Fit, Jr part no. 39-01-4050 and 39-01-4051

suitable for mating plug no. 3611 03 K01, Fa. Lumberg