

Radial blowers with EC internal-rotor motor

HRG 134 - 230 VAC



Material:

- housing: plastic
- impeller: anti-static plastic
- motor protection cap: plastic

Interface:

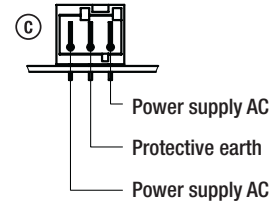
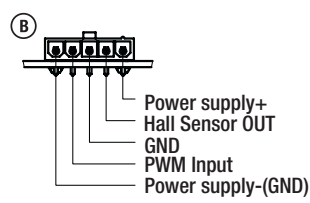
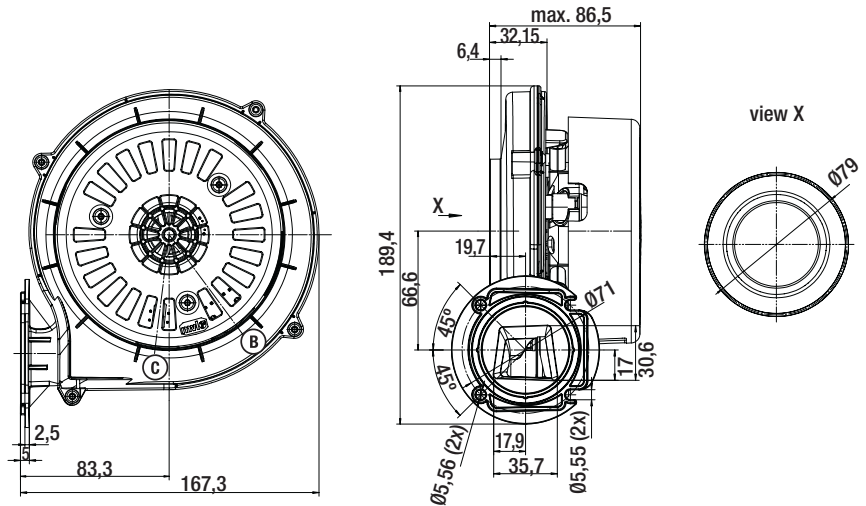
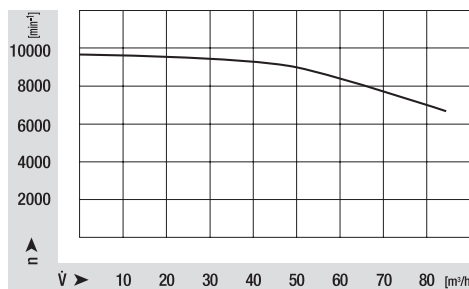
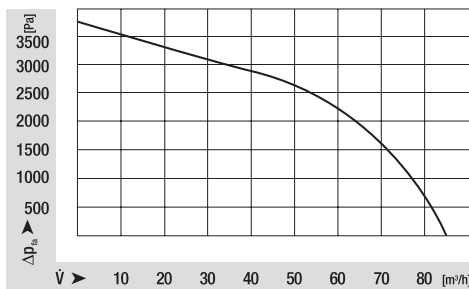
- interfaces see page 85, no. 2
- special interfaces upon request

ebm-papst • Landshut

Nominal data	characteristic curve							electrical connection	mass
	rated voltage	frequency	max. air flow	max. pressure increase	max. power input	max. speed			
type	V	Hz	m ³ /h	Pa	W	min ⁻¹		kg	
HRG134	230 AC	50/60	80	3800	110	10000	ⓑ ⓐ	0,8	

bold print = standard type; subject to alterations

Characteristic curves



connector Mini-Fit, Jr. Nr. 39-30-3056
suitable for connector housing Molex Mini-Fit, Jr
part no 39-01-4050 and 39-01-4051

connector housing Nr. 3642 03 K01, Fa. Lumberg
suitable for adapting connector: Nr. 3611 03 K01,
Fa. Lumberg