

Radial blowers dual inlet

D2E 160 with AC external-rotor motor



- **Material:** Housing: PP plastic, black
Impeller: Galvanised sheet steel
Rotor: Partially cast in aluminium
Terminal box: PP plastic, black
- **Direction of rotation:** Counter-clockwise, seen on plug
- **Type of protection:** IP 20
- **Insulation class:** "F"
- **Mounting position:** Any
- **Condensate discharges:** None
- **Mode of operation:** Continuous operation (S1)
- **Design:** 4-step blower with integrated terminal box, EW motor

ebm-papst • Muldingen

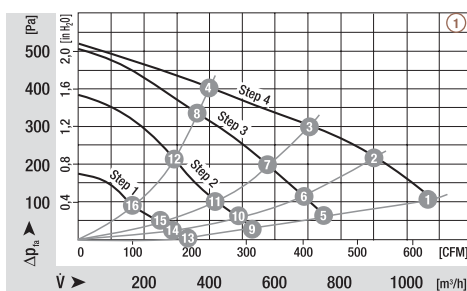
Nominal data		characteristic curve	voltage	frequency	air flow	speed/rpm	power input	current draw	capacitor	sound pressure level	min. back pressure	perm. amb. temp.
type	motor	VAC	Hz	m ³ /h	min ⁻¹	W	A	µF/VDB	dB(A)	Pa	°C	
D2E 160	M2E068-EC	①	1~230	50	1070	1400	340	1,49	10,0/400	58	100	-25..+45
D2E 160	M2E074-HA	②	1~230	50	1495	1800	500	2,19	12,0/400	67	100	-25 to 40

subject to alterations

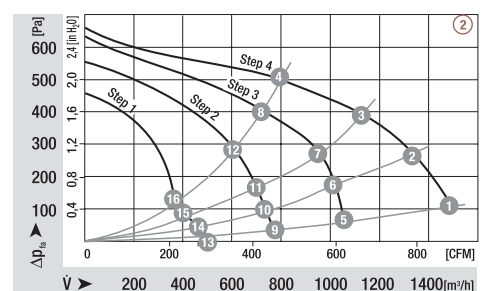
	n [min ⁻¹]	P _i [W]	I [A]	Lp _A [dB(A)]
① ①	1400	340	1,49	58
① ②	1650	337	1,47	58
① ③	1985	329	1,45	59
① ④	2280	312	1,39	---
① ⑤	1035	211	1,12	47
① ⑥	1260	208	1,12	48
① ⑦	1610	199	1,11	53
① ⑧	2115	179	1,09	---
① ⑨	730	160	0,92	37
① ⑩	900	158	0,92	38
① ⑪	1170	154	0,91	44
① ⑫	1665	143	0,90	---
① ⑬	455	129	0,78	23
① ⑭	565	128	0,78	24
① ⑮	730	126	0,77	30
① ⑯	1055	122	0,77	---iri

	n [min ⁻¹]	P _i [W]	I [A]	Lp _A [dB(A)]
② ①	1800	500	2,19	67
② ②	2045	461	2,03	66
② ③	2320	405	1,82	65
② ④	2570	334	1,58	65
② ⑤	1205	403	1,80	56
② ⑥	1510	380	1,72	56
② ⑦	1895	339	1,58	59
② ⑧	2330	270	1,36	63
② ⑨	925	330	1,50	47
② ⑩	1085	323	1,47	47
② ⑪	1395	309	1,43	49
② ⑫	1950	262	1,28	58
② ⑬	680	281	1,29	35
② ⑭	805	276	1,27	36
② ⑮	960	272	1,24	37
② ⑯	1185	265	1,22	42

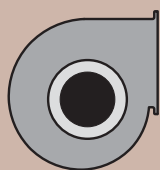
Characteristic curves



Characteristic curves



- **Bearings:** Maintenance-free ball bearings
- **Motor protection:** TOP wired internally
- **Connection leads:** Via plug
- **Protection class:** I
- **Capacitor:** FPU (P2) integrated in terminal box completely wired up and ready for plug-in
- **Product conforming to standards:** EN 60335-2-31, CE
- **Approvals:** VDE, UL is applied for



mass

Centrifugal blower with flange

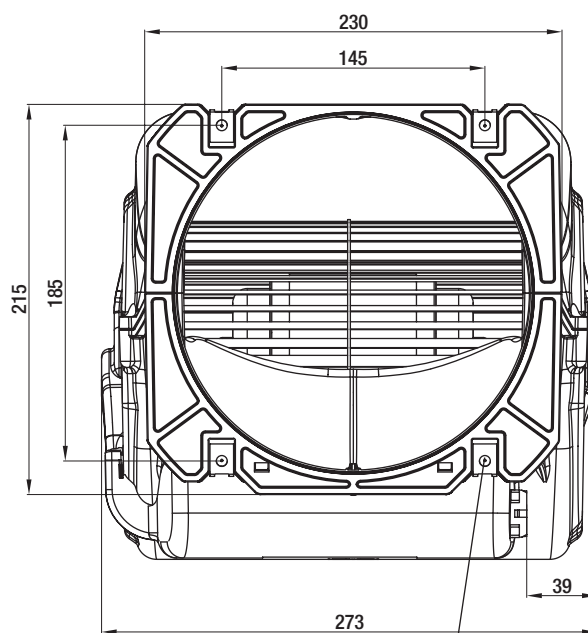
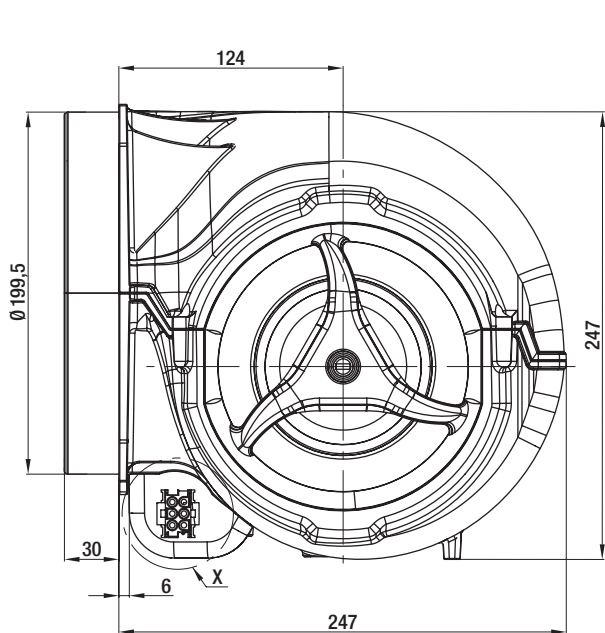
kg

D2E 160-GM93 -01

4,0

D2E 160-GL07 -01

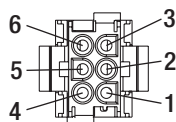
5,5



View X

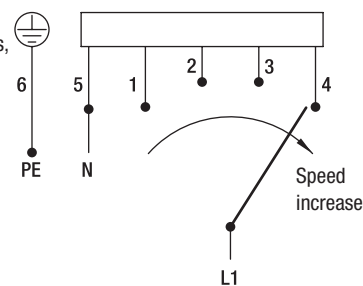
coded plug system AMP Universal-Mate-N-Lok
connector shell AMP 926 682-3
6 x plug pin AMP 926 886-1

- 1 = Step 1 (min.) white
- 2 = Step 2 red
- 3 = Step 3 grey
- 4 = Step 4 (max.) black
- 5 = N blue
- 6 = Ground wire green/yellow



Connection diagram

When changing speeds, the switch must break the circuit.



4 x sheet metal nut for thread
EN ISO 1478-ST4.8
(min. screw length 14.5 mm plus thickness of mounting material)