

# Radial blowers dual inlet

## D2E 160 with AC external-rotor motor



- **Material:** Housing: PP plastic, black  
Impeller: Galvanised sheet steel  
Rotor: Partially cast in aluminium  
Terminal box: PP plastic, black
  - **Direction of rotation:** Clockwise, seen on rotor
  - **Type of protection:** IP 44
  - **Insulation class:** "F"
  - **Mounting position:** Any
  - **Condensate discharges:** None
  - **Mode of operation:** Continuous operation (S1)
  - **Design:** 4-step blower with integrated terminal box, standard external-rotor motor anti-vibration mounted on on side
- ebm-papst • Mulfingen**

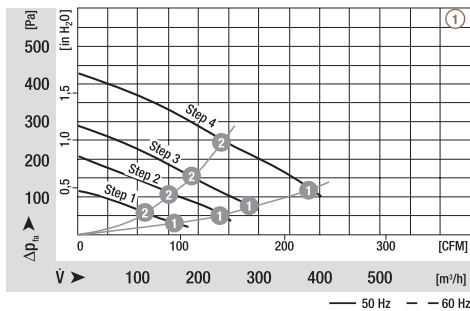
Nominal data		characteristic curve	voltage	frequency	voltage	speed	power input	rated current	capacitor	noise level	back pressure min.	perm. ambient temp.
type	motor		VAC	Hz	m <sup>3</sup> /h	min <sup>-1</sup>	W	A	µF/VDB	dB(A)	Pa	°C
D2E 160	M2E 068-BF	①	1~ 230	50	400	1170	110	0,49	2,5/400	53	100	-25 to 45
D2E 160	M2E 068-CF	②	1~ 230	50	550	1400	180	0,80	4,0/400	59	150	-25 to 40

subject to alterations

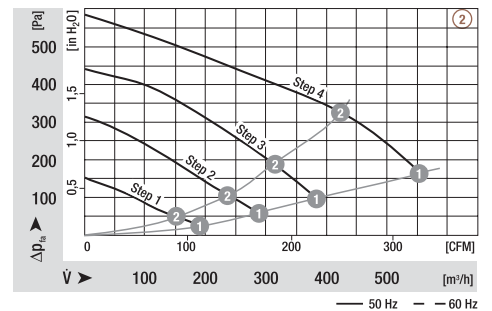
	n [min <sup>-1</sup> ]	P <sub>1</sub> [W]	I [A]	Lp <sub>A</sub> [dBA]
① ① Step 1	555	50	0,26	30
① ② Step 1	835	49	0,25	36
① ① Step 2	765	64	0,31	38
① ② Step 2	1135	61	0,30	44
① ① Step 3	910	74	0,35	43
① ② Step 3	1345	71	0,34	48
① ① Step 4	1210	108	0,47	51
① ② Step 4	1735	102	0,44	55

	n [min <sup>-1</sup> ]	P <sub>1</sub> [W]	I [A]	Lp <sub>A</sub> [dBA]
② ① Step 1	500	76	0,38	28
② ② Step 1	740	75	0,37	34
② ① Step 2	770	96	0,46	40
② ② Step 2	1115	93	0,45	44
② ① Step 3	1010	120	0,56	48
② ② Step 3	1450	113	0,53	52
② ① Step 4	1430	176	0,76	57
② ② Step 4	1920	162	0,70	60

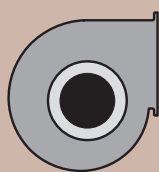
Characteristic curves



Characteristic curves

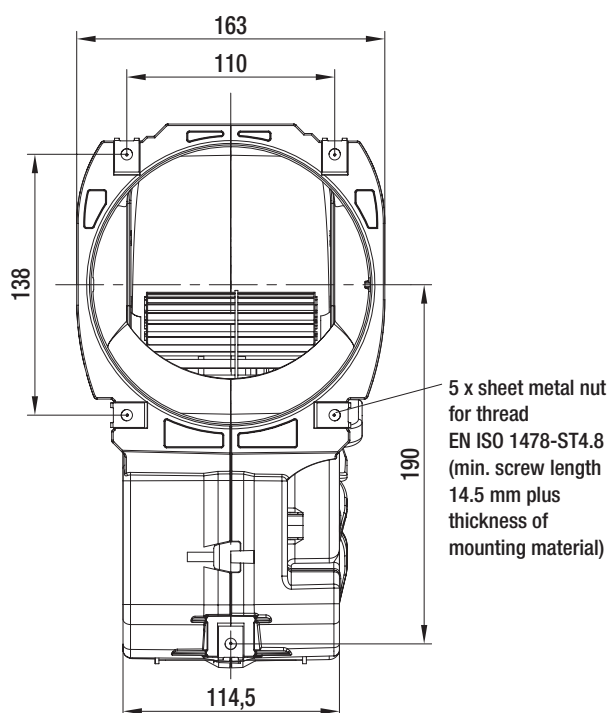
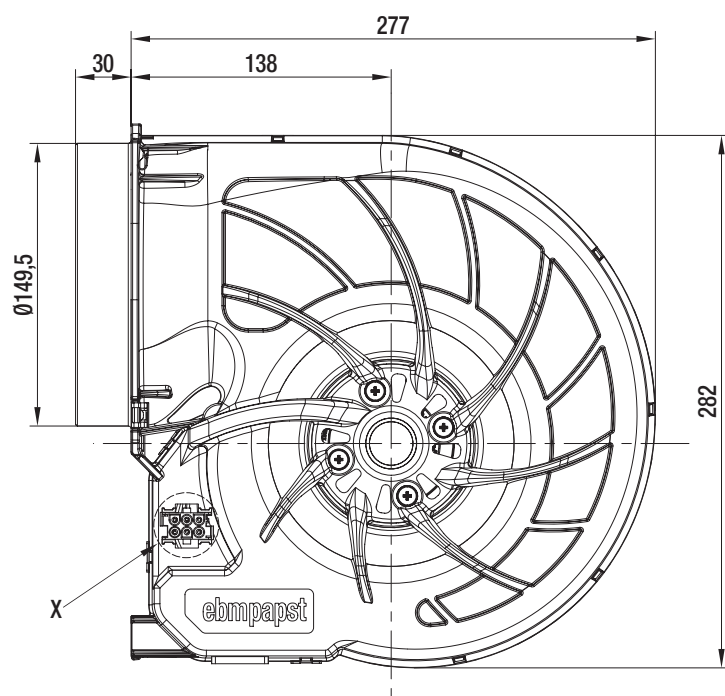


- **Bearings:** Maintenance-free ball bearings
- **Motor protection:** Top wired internally
- **Connection leads:** Via plug
- **Protection class:** I
- **Capacitor:** FPU (P2) integrated in terminal box completely wired up and ready for plug-in
- **Product conforming to standards:** EN 60335-2-31, CE
- **Approvals:** CCC, GOST



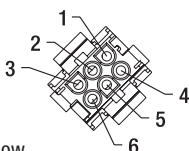
Mass of centrifugal blower

Centrifugal blower with flange	kg
D2E 160-FI01 -01	2,5
D2E 160-FK11 -02	3,0



View X  
 coded plug system AMP Universal-Mate-N-Lok  
 connector shell AMP 926 682-3  
 6 x plug pin AMP 926 886-1

- 1 = Step 1 (min.) white
- 2 = Step 2 red
- 3 = Step 3 grey
- 4 = Step 4 (max.) black
- 5 = N blue
- 6 = Ground wire green/yellow



Connection diagram  
 When changing speeds, the switch must break the circuit.

