

# Radial blowers dual inlet

D2E 146

with AC external-rotor motor



- **Material:** Housing: PP plastic, black  
Impeller: Galvanised sheet steel  
Rotor: Partially cast in aluminium  
Terminal box: PP plastic, black
- **Direction of rotation:** Counter-clockwise, seen on plug
- **Type of protection:** IP 20
- **Insulation class:** "F"
- **Mounting position:** Any
- **Condensate discharges:** None
- **Mode of operation:** Continuous operation (S1)
- **Design:** 4-step blower with integrated terminal box, EW motor

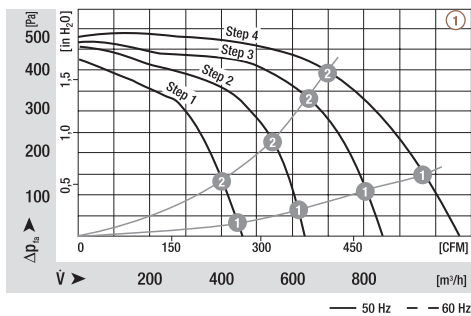
ebm-papst • Mulfingen

Nominal data		characteristic curve	voltage	frequency	voltage	speed	power input	rated current	capacitor	noise level	back pressure min.	perm. ambient temp.
type	motor		VAC	Hz	m <sup>3</sup> /h	min <sup>-1</sup>	W	A	µF/VDB	dB(A)	Pa	°C
D2E 146	M2E 068-EC	①	1~ 230	50	1060	1850	355	1,55	8,0/450	66	0	-25 to 55
			1~ 230	60	875	2100	400	1,75	8,0/450	63	200	-25 to 50

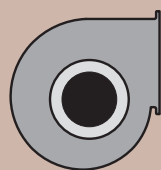
subject to alterations

	n	P <sub>1</sub>	I	Lp <sub>A</sub>	
	[min <sup>-1</sup> ]	[W]	[A]	[dBA]	
① ①	Step 1	1000	192	0,88	45
① ②	Step 1	1415	180	0,84	49
① ①	Step 2	1375	225	1,03	54
① ②	Step 2	1885	197	0,94	57
① ①	Step 3	1770	268	1,20	61
① ②	Step 3	2230	222	1,04	62
① ①	Step 4	2075	328	1,42	66
① ②	Step 4	2430	269	1,17	61

## Characteristic curves



- **Bearings:** Maintenance-free ball bearings
- **Motor protection:** Top wired internally
- **Connection leads:** Via plug
- **Protection class:** I
- **Capacitor:** FPU (P2) integrated in terminal box completely wired up and ready for plug-in
- **Product conforming to standards:** EN 60335-2-31, CE
- **Approvals:** VDE



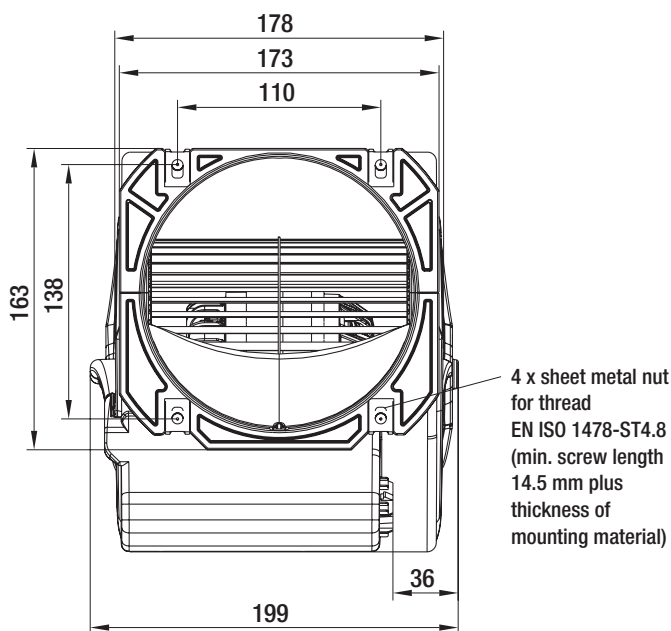
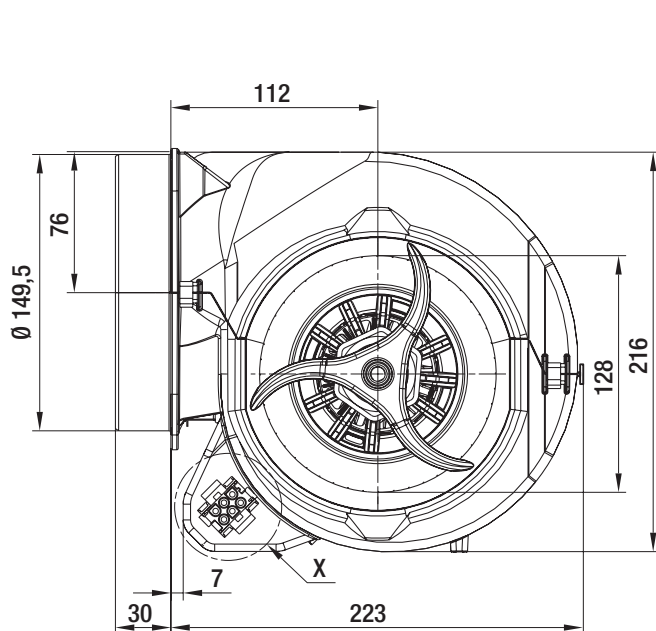
Mass of centrifugal blower

Centrifugal blower with flange

kg

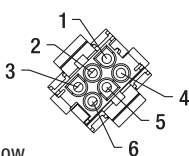
D2E 146-HT67 -02

3,6



**View X**  
 coded plug system AMP Universal-Mate-N-Lok  
 connector shell AMP 926 682-3  
 6 x plug pin AMP 926 886-1

- 1 = Step 1 (min.) white
- 2 = Step 2 red
- 3 = Step 3 grey
- 4 = Step 4 (max.) black
- 5 = N blue
- 6 = Ground wire green/yellow



**Connection diagram**  
 When changing speeds,  
 the switch must break  
 the circuit.

