

Radial blowers dual inlet

D2E 146

with AC external-rotor motor



- **Material:** Housing: PP plastic, black
Impeller: PP plastic, white
Rotor: Partially cast in aluminium
Terminal box: PP plastic, black
- **Direction of rotation:** Counter-clockwise, seen on plug
- **Type of protection:** IP 20
- **Insulation class:** "F"
- **Mounting position:** Any
- **Condensate discharges:** None
- **Mode of operation:** Continuous operation (S1)
- **Design:** 4-step blower with integrated terminal box, EW motor

ebm-papst • Muldingen

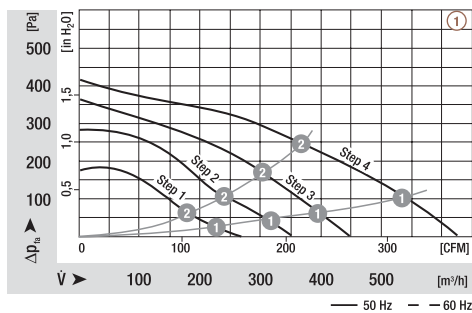
Nominal data		characteristic curve	voltage	frequency	voltage	speed	power input	rated current	capacitor	noise level	back pressure min.	perm. ambient temp.
type	motor		VAC	Hz	m ³ /h	min ⁻¹	W	A	µF/VDB	dB(A)	Pa	°C
D2E 146	M2E 068-CF	①	1~ 230	50	630	1100	150	0,66	4,0/400	51	0	-25 to +50
			1~ 230	60	415	1600	160	0,71	4,0/400	55	150	-25 to +45
D2E 146	M2E 068-DF	②	1~ 230	50	755	1350	195	0,86	5,0/400	57	0	-25 to +55
			1~ 230	60	580	1750	215	0,94	5,0/400	54	150	-25 to +40

subject to alterations

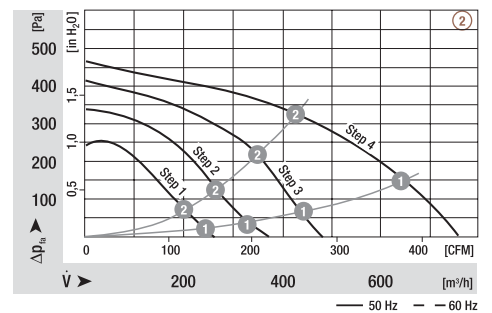
	n	P ₁	I	Lp _A
	[min ⁻¹]	[W]	[A]	[dBA]
① ① Step 1	680	69	0,38	31
① ② Step 1	990	67	0,37	35
① ① Step 2	890	81	0,42	37
① ② Step 2	1315	77	0,42	43
① ① Step 3	1110	98	0,49	47
① ② Step 3	1635	92	0,47	49
① ① Step 4	1490	143	0,62	51
① ② Step 4	2005	133	0,59	55

	n	P ₁	I	Lp _A
	[min ⁻¹]	[W]	[A]	[dBA]
② ① Step 1	710	94	0,47	30
② ② Step 1	1055	91	0,46	38
② ① Step 2	910	106	0,52	38
② ② Step 2	1415	100	0,50	45
② ① Step 3	1210	125	0,60	45
② ② Step 3	1820	112	0,57	52
② ① Step 4	1790	185	0,81	56
② ② Step 4	2290	164	0,72	59

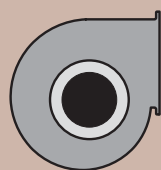
Characteristic curves



Characteristic curves

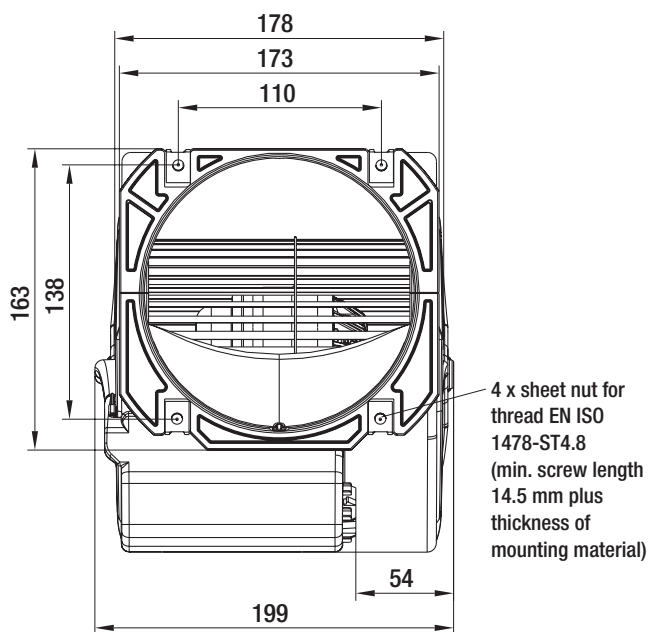
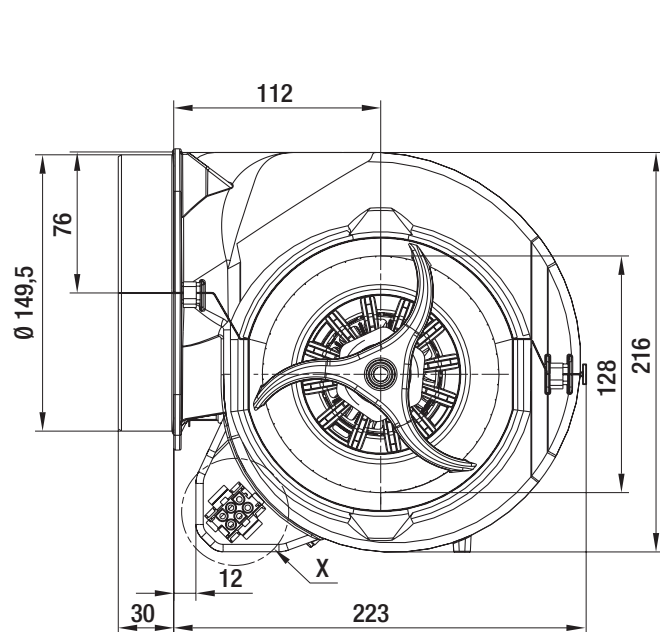


- **Bearings:** Maintenance-free ball bearings
- **Motor protection:** Top wired internally
- **Connection leads:** Via plug
- **Protection class:** I
- **Capacitor:** FPU (P2) integrated in terminal box completely wired up and ready for plug-in
- **Product conforming to standards:** EN 60335-2-31, CE
- **Approvals:** VDE, GOST; D2E 146-HR93 -03 CCC too



Mass of centrifugal blower

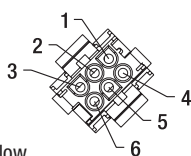
Centrifugal blower with flange	kg
D2E 146-HR93 -03	3,0
D2E 146-HS97 -03	3,5



Detail X

Coded plug system AMP Universal-Mate-N-Lok
 connector shell: AMP 926 682-3
 6 x pin connector: AMP 926 886-1

- 1 = step 1 (min.) white
- 2 = step 2 red
- 3 = step 3 grey
- 4 = step 4 (max.) black
- 5 = N blue
- 6 = Ground green/yellow



Connection diagram
 Switch has to break contact when turned.

