

Tangential blowers

QL 4 double housing with EC motor

Tangential blowers with electronically commutated EC-motors.

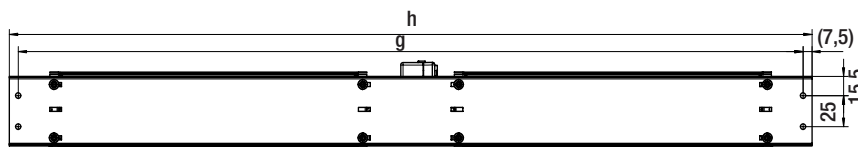
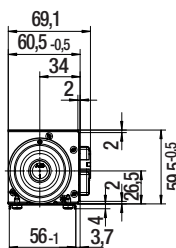
- integrated electronics
- speed setting via 0 - 10 V analogue voltage signal
- speed-adjustable (version) via PWM signal available upon request
- impeller diameter 40 mm
- airflow direction of 180° possible
- mounting position horizontal or vertical
- protection class IP20, insulation class F
- permissible ambient temperature 0 - 60 °C



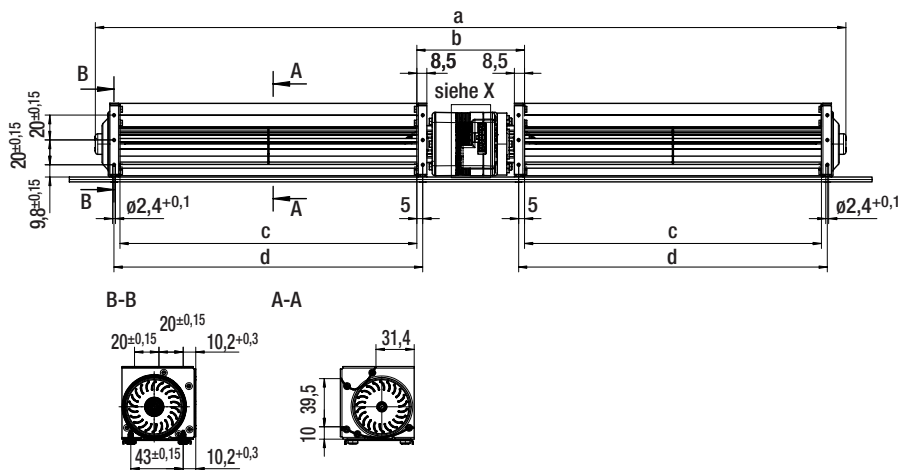
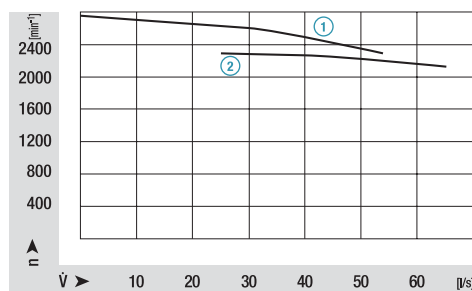
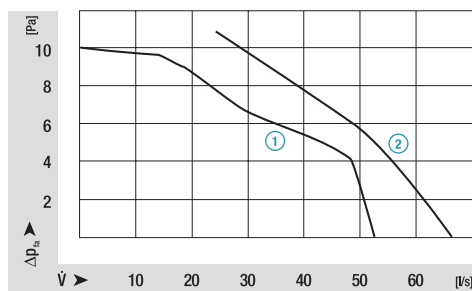
ebm-papst • Landshut

Nominal data	characteristic curve	rated voltage	air flow	max. pressure increase	power input	speed	mass	Dimensions mm							
								VDC	m³/h	Pa	W	min⁻¹	kg	a	b
QL4/2525-2212	①	24	194	12	7	2550	1,3								
QL4/3030-2212	②	24	234	15	8	2200	1,4								

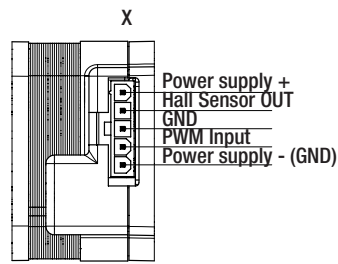
subject to alterations



Characteristic curves



Power supply: 24 DC (10V...26,8V)
 Hall sensor out: 2 pulses per rotation
 $U_H = 12V$; $R_i = 1k\Omega$
 Input: control voltage: 0...10V
 input switched to GND: fan off
 input open: fan off



suitable for connector housing Mini-Fit, Jr. (Fa. Molex)
 order number 39-01-4050