

# Tangential blowers

## QLZ 06 with EC motor



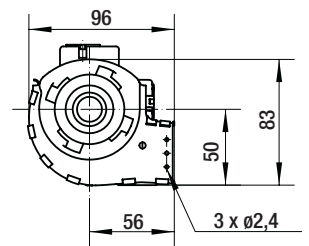
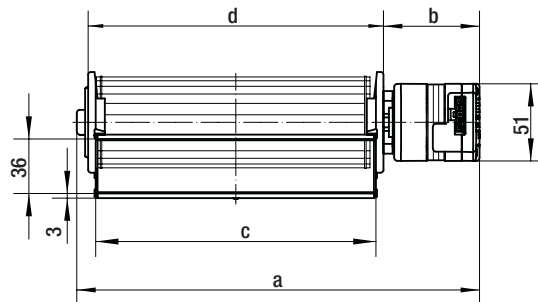
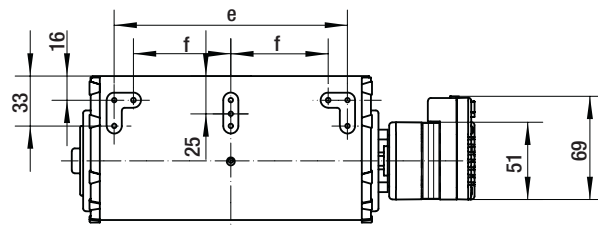
Tangential blowers with electronically commutated EC-motors.

- integrated electronics
- blower speed variable via PWM (pulse width modulation) signal, optionally speed adjustment via 0 - 10 V analoguous voltage signal
- impeller diameter 60 mm
- horizontal or vertical mounting position with motor at the bottom
- protection class IP20, insulation class F
- permissible ambient temperature 0 – 60 °C

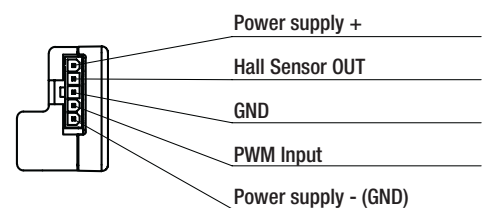
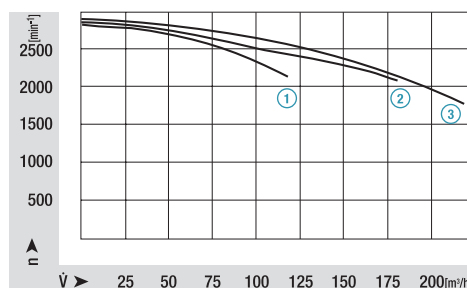
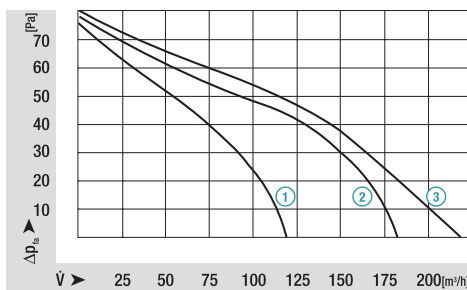
ebm-papst • Landshut

Nominal data		rated voltage	air flow	max. pressure increase	power input	speed	mass	Dimensions mm					
motor right*	motor left	VDC	m³/h	Pa	W	min <sup>-1</sup>	kg	a	b	c	d	e	f
QLZ06/1200-2212	QLZ06/0012-2212	24	120	75	10	2100	0,7	206,5	64,5	125	135	94	–
QLZ06/1800-2212	QLZ06/0018-2212	24	180	80	15	2050	0,75	267	64,5	185	195	154	64
QLZ06/2400-2212	QLZ06/0024-2212	24	220	80	17	1800	0,8	327	64,5	243	253	212	93

\*) Corresponding to dimensional drawing; Technical data are preliminary and valid at free air flow and rated voltage; subject to alterations



### Characteristic curves



suitable for connector Molex Mini-Fit, Jr. (not part of delivery)  
connector: order number 39-01-4050  
female terminal: for example 39-00-0059