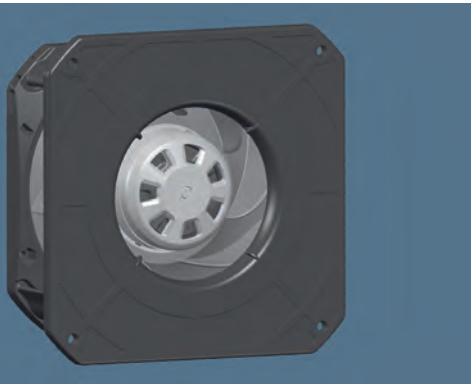


# EC centrifugal fans RadiCal

backward curved, Ø 133



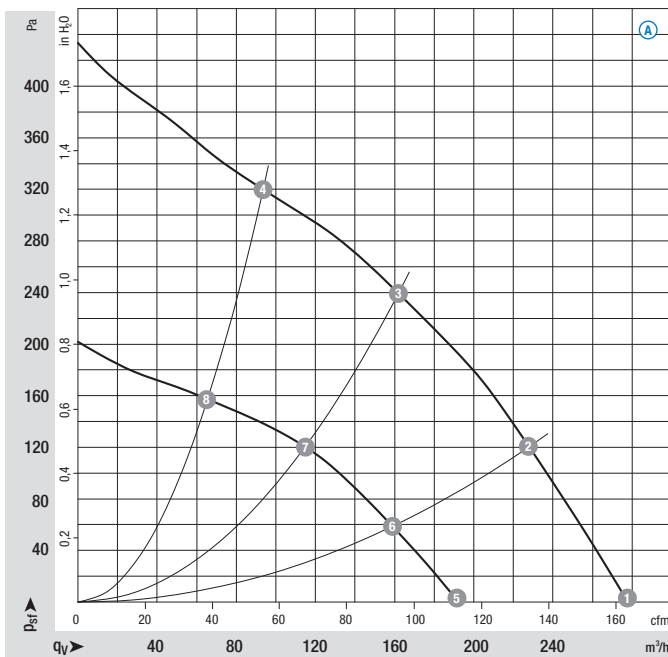
- **Material:** Housing: Plastic PA 6, fibreglass-reinforced  
Impeller: Plastic PA 6, fibreglass-reinforced  
Rotor: Thick layer passivated  
Electronics housing: Die-cast aluminium
- **Number of blades:** 7
- **Direction of rotation:** Clockwise, seen on rotor
- **Type of protection:** IP 54
- **Insulation class:** "B"
- **Mounting position:** Any
- **Condensate discharges:** None, open rotor
- **Mode of operation:** Continuous operation (S1)
- **Bearings:** Maintenance-free ball bearings

Nominal data		Curve	Nominal voltage range	Frequency	Speed/rpm <sup>(1)</sup>	Max. input power <sup>(1)</sup>	Max. current draw <sup>(1)</sup>	Perm. amb. temp.	Electr. connection
Type	Motor		VAC	Hz	rpm	W	A	°C	p. 64/65
*3G 133	M3G 045-Al	(A)	1~ 200-240	50/60	3730	27	0,26	-25..+60	H3)
*3G 133	M3G 045-Al	(B)	1~ 200-240	50/60	3730	27	0,26	-25..+60	H4)

subject to alterations

(1) Nominal data in operating point with maximum load and 230 VAC

## Curves (2 Speed stages)



Air performance measured as per: ISO 5801, Installation category A, without protection against accidental contact

Suction-side noise levels: LwA as per ISO 13347, LpA measured at 1 m distance to fan axis

The acoustic values given are only valid under the measurement conditions listed and may vary depending on the installation situation.

With any deviation to the standard setup, the specific values have to be checked and reviewed once installed or fitted!

For detailed information see page 66 ff.

	n rpm	Pe W	I A	LwA dB(A)
(A) 1	3930	24	0,23	66
(A) 2	3800	26	0,26	63
(A) 3	3730	27	0,26	61
(A) 4	3835	26	0,25	65
(A) 5	2755	10	0,11	58
(A) 6	2690	10	0,12	56
(A) 7	2655	11	0,13	53
(A) 8	2705	10	0,12	57

- **Technical features** (A) : • Speed adjustment input (230V) • Electronics / motor overtemperature protection • Locked-rotor protection
- **Technical features** (B) : • Control input 0-10 VDC / PWM • Output 10 VDC max. 1,1 mA • Tach output • Locked-rotor protection • Electronics / motor overtemperature protection
- **EMC:** Interference emission acc. to EN 61000-6-3  
Interference immunity acc. to EN 61000-6-2  
Harmonics acc. to EN 61000-3-2/3
- **Leakage current:** < 3,5 mA acc. to EN 60950-1
- **Cable exit:** Variable
- **Protection class:** I
- **Product conforming to standard:** EN 60335-1, CE
- **Approvals:** VDE, UL, CSA, CCC, GOST are applied for



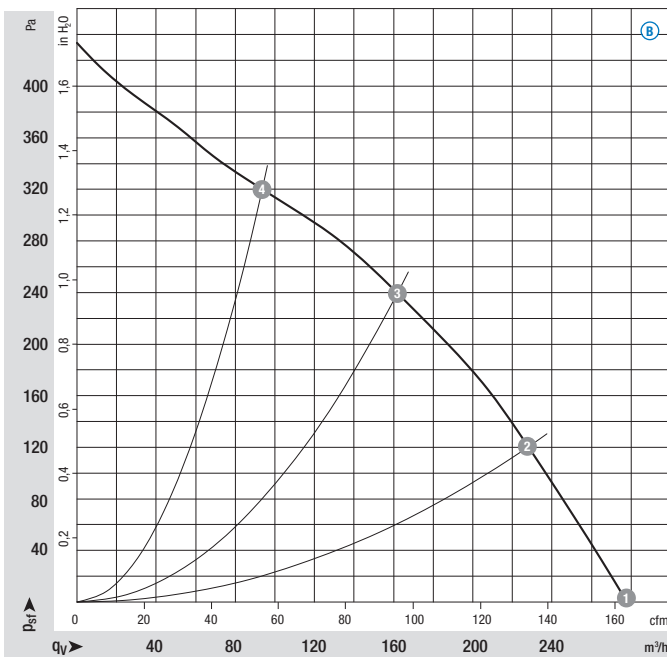
Mass of centrifugal fan



Mass of centrifugal module with support basket

Centrifugal fan	kg	Centrifugal module	kg
R3G 133-RA01 -01	0,5	K3G 133-RA01 -01	0,75
R3G 133-RA01 -03	0,5	K3G 133-RA01 -03	0,75

### Curves (Speed-controlled)



Air performance measured as per: ISO 5801, Installation category A, without protection against accidental contact

	n rpm	P <sub>e</sub> W	I A	L <sub>w</sub> A dB(A)
(B) 1	3930	24	0,23	66
(B) 2	3800	26	0,26	63
(B) 3	3730	27	0,26	61
(B) 4	3835	26	0,25	65

Suction-side noise levels: L<sub>w</sub>A as per ISO 13347, L<sub>p</sub>A measured at 1 m distance to fan axis

The acoustic values given are only valid under the measurement conditions listed and may vary depending on the installation situation.

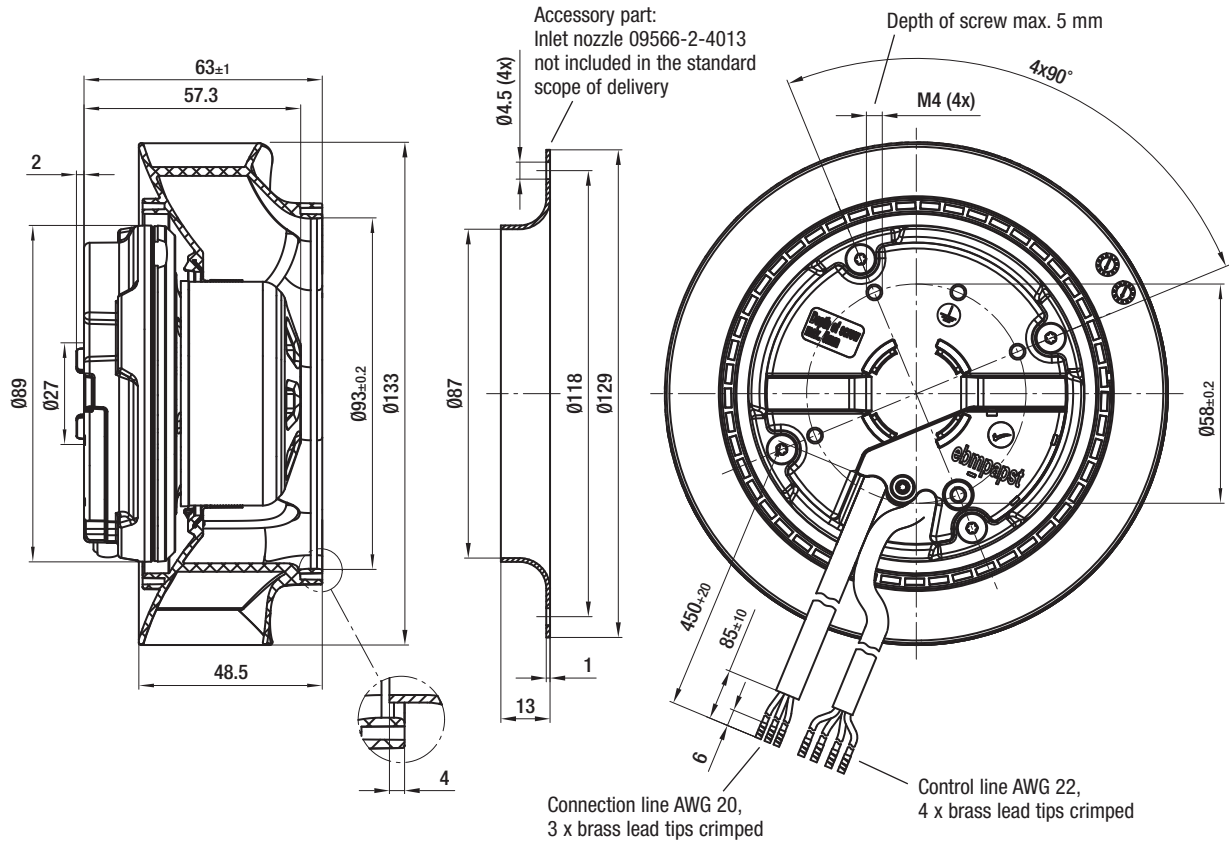
With any deviation to the standard setup, the specific values have to be checked and reviewed once installed or fitted!

For detailed information see page 66 ff.

# EC centrifugal fans RadiCal

backward curved, Ø 133, Speed-controlled

R3G 133-RA01-03



K3G 133-RA01-03

