

AC centrifugal fans RadiCal

backward curved, Ø 225

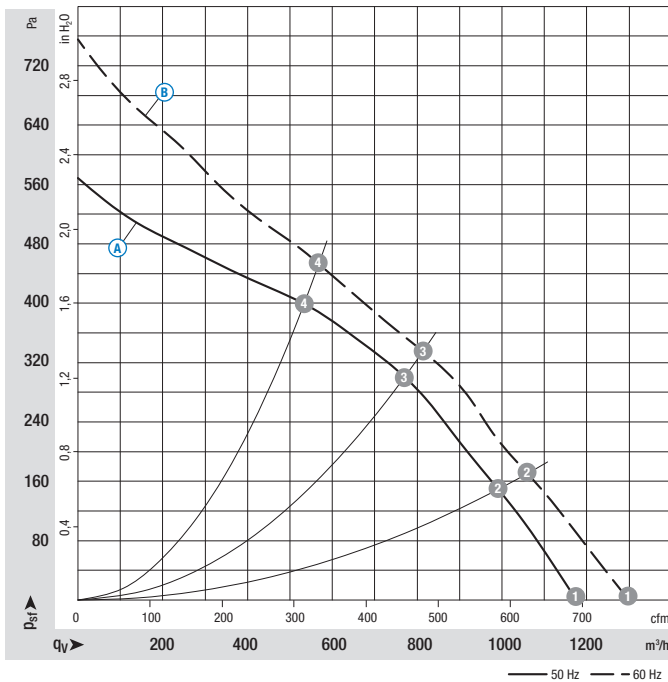


- **Material:** Housing: Plastic PA 6, fibreglass-reinforced
Impeller: Plastic PA 6, fibreglass-reinforced
Rotor: Coated in black
- **Number of blades:** 7
- **Direction of rotation:** Clockwise, seen on rotor
- **Type of protection:** IP 44, depending on installation and position in acc. to EN 60034-5
- **Insulation class:** "F"
- **Mounting position:** Any
- **Condensate discharges:** Rotor-side
- **Mode of operation:** Continuous operation (S1)
- **Bearings:** Maintenance-free ball bearings

Nominal data		Curve	Nominal voltage	Frequency	Speed/rpm	Input power	Current draw	Capacitor	Perm. amb. temp.	Electr. connection
Type	Motor	VAC	Hz	rpm	W	A	µF/VDB	°C	p. 64	
*2E 225	M2E 068-DF	(A) 1~ 230	50	2660	130	0,57	3,5 / 450	-25..+60	A1)	
		(B) 1~ 230	60	2900	190	0,83	3,5 / 450	-25..+60		

subject to alterations

Curves



Air performance measured as per: ISO 5801, Installation category A, without protection against accidental contact

Suction-side noise levels: L_{wA} as per ISO 13347, L_{pA} measured at 1 m distance to fan axis

The acoustic values given are only valid under the measurement conditions listed and may vary depending on the installation situation.

With any deviation to the standard setup, the specific values have to be checked and reviewed once installed or fitted!

For detailed information see page 66 ff.

	n rpm	P_e W	I A	L_{wA} dB(A)
(A) 1	2660	130	0,57	73
(A) 2	2575	147	0,64	72
(A) 3	2560	149	0,65	66
(A) 4	2590	144	0,63	69
(B) 1	2900	190	0,83	76
(B) 2	2735	205	0,89	73
(B) 3	2700	207	0,90	68
(B) 4	2750	202	0,88	71

- **Motor protection:** TOP wired internally
- **Leakage current:** < 0,75 mA
- **Cable exit:** Variable (R2E...)
- **Connection leads:** Plug system (K2E...)
- **Protection class:** I
- **Product conforming to standard:** EN 60335-1, CE
- **Approvals:** VDE, CCC, GOST



Mass of centrifugal fan



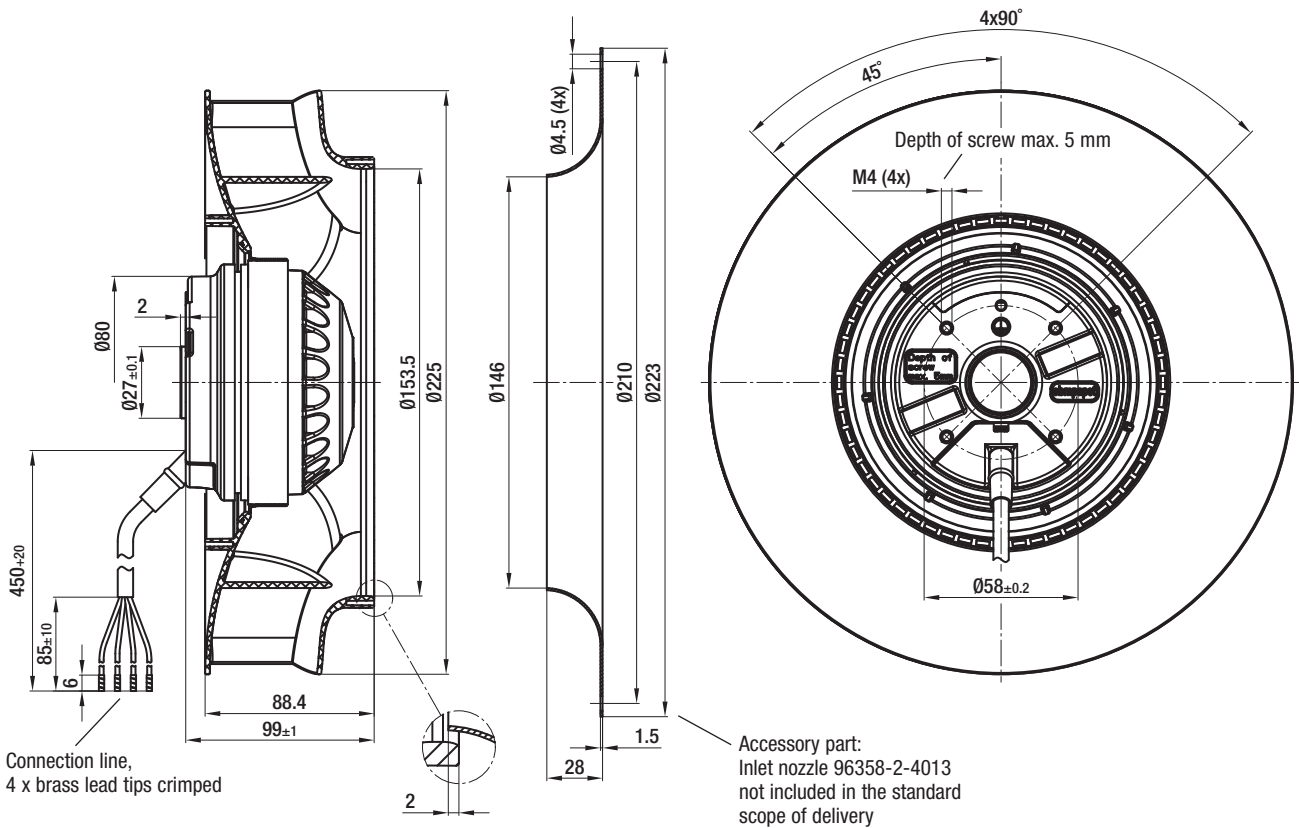
Mass of centrifugal module with support basket

Centrifugal fan	kg	Centrifugal module	kg
R2E 225-RA92 -09	2,30	K2E 225-RA92 -01	3,50

AC centrifugal fans RadiCal

backward curved, Ø 225

R2E 225-RA92-09



K2E 225-RA92-01

