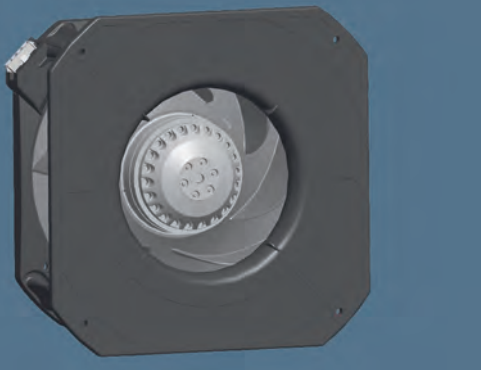


# AC centrifugal fans RadiCal

backward curved, Ø 220

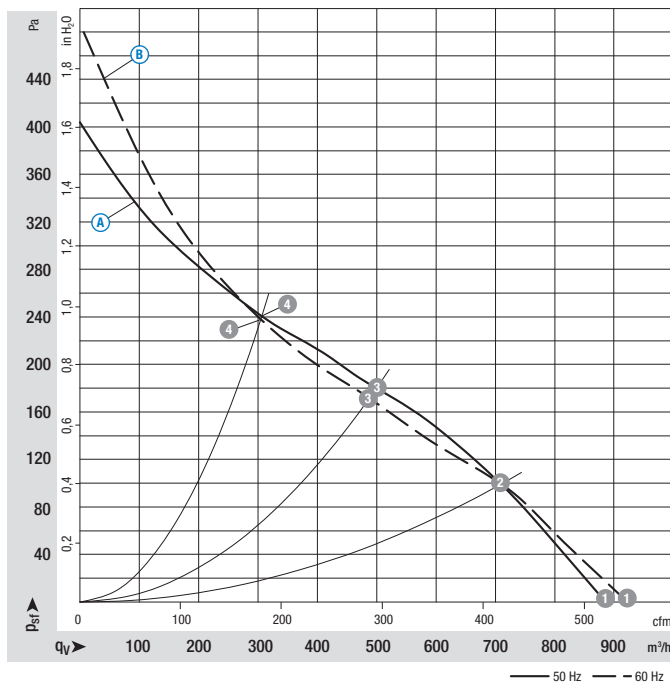


- **Material:** Housing: Plastic PA 6, fibreglass-reinforced  
Impeller: Plastic PA 6, fibreglass-reinforced  
Rotor: Coated in black
- **Number of blades:** 7
- **Direction of rotation:** Clockwise, seen on rotor
- **Type of protection:** IP 44, depending on installation and position in acc. to EN 60034-5
- **Insulation class:** "F"
- **Mounting position:** Any
- **Condensate discharges:** Rotor-side
- **Mode of operation:** Continuous operation (S1)
- **Bearings:** Maintenance-free ball bearings

Nominal data		Curve	Nominal voltage	Frequency	Speed/rpm	Input power	Current draw	Capacitor	Perm. amb. temp.	Electr. connection
Type	Motor	VAC	Hz	rpm	W	A	µF/VDB	°C	p. 64	
*2E 220	M2E 068-BF	(A) 1~ 230	50	2350	80	0,36	2,0 / 450	-25..+50	A1)	
		(B) 1~ 230	60	2450	102	0,46	2,0 / 450	-25..+60		
*2E 220	M2E 068-CF	(C) 1~ 230	50	2600	90	0,40	2,5 / 400	-25..+60	A1)	
		(D) 1~ 230	60	2900	120	0,53	2,5 / 400	-25..+70		

subject to alterations

## Curves



Air performance measured as per: ISO 5801, Installation category A, without protection against accidental contact

Suction-side noise levels: L<sub>wA</sub> as per ISO 13347, L<sub>pA</sub> measured at 1 m distance to fan axis

The acoustic values given are only valid under the measurement conditions listed and may vary depending on the installation situation.

With any deviation to the standard setup, the specific values have to be checked and reviewed once installed or fitted!

For detailed information see page 66 ff.

	n rpm	P <sub>e</sub> W	I A	L <sub>wA</sub> dB(A)
(A) 1	2350	80	0,36	68
(A) 2	2240	86	0,38	62
(A) 3	2130	88	0,39	60
(A) 4	2185	86	0,38	63
(B) 1	2450	102	0,46	69
(B) 2	2220	106	0,46	62
(B) 3	2075	107	0,47	60
(B) 4	2165	106	0,46	63

- **Motor protection:** TOP wired internally
- **Leakage current:** < 0,75 mA
- **Cable exit:** Variable (R2E...)
- **Connection leads:** Plug system (K2E...)
- **Protection class:** I
- **Product conforming to standard:** EN 60335-1, CE
- **Approvals:** VDE, CCC, GOST



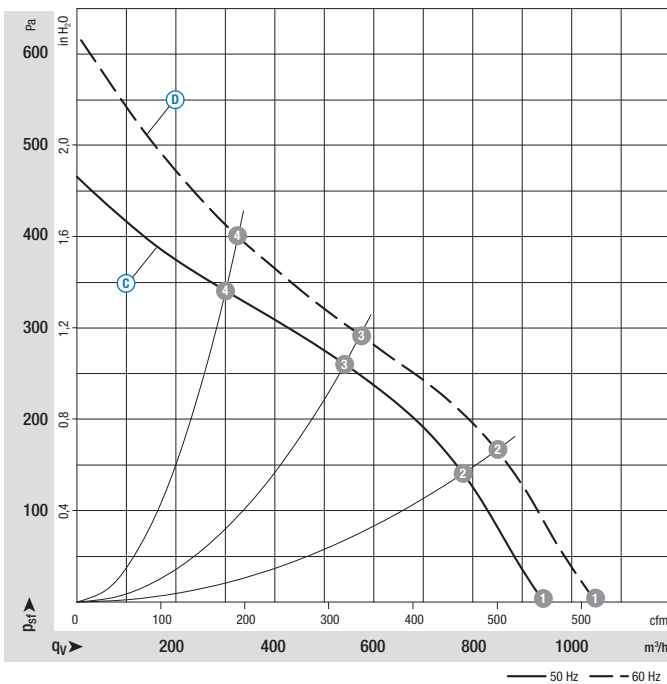
Mass of centrifugal fan



Mass of centrifugal module with support basket

Centrifugal fan	kg	Centrifugal module	kg
R2E 220-RA38 -01	1,30	K2E 220-RA38 -01	2,10
R2E 220-RB06 -01	1,80	K2E 220-RB06 -01	2,60

### Curves



Air performance measured as per: ISO 5801, Installation category A, without protection against accidental contact

Suction-side noise levels: L<sub>WA</sub> as per ISO 13347, L<sub>pA</sub> measured at 1 m distance to fan axis

The acoustic values given are only valid under the measurement conditions listed and may vary depending on the installation situation.

With any deviation to the standard setup, the specific values have to be checked and reviewed once installed or fitted!

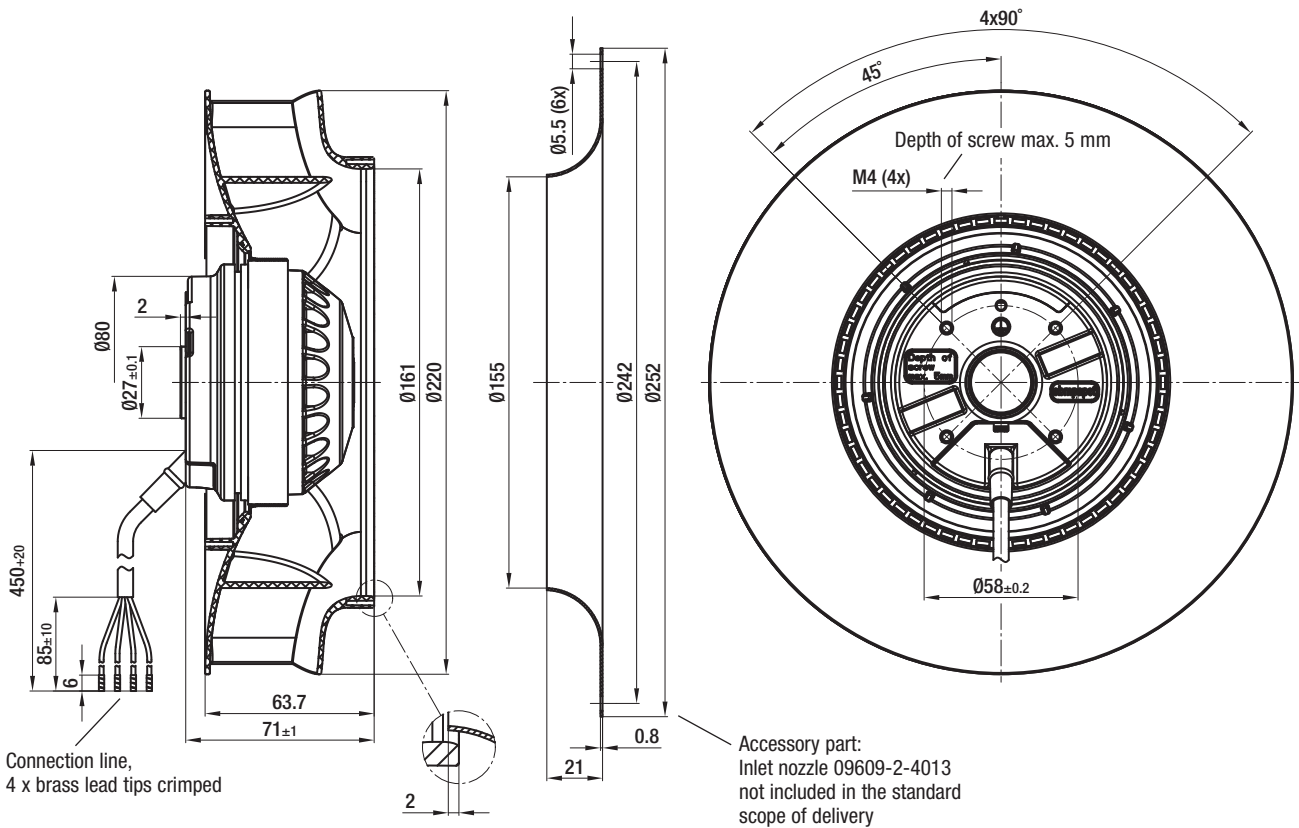
For detailed information see page 66 ff.

	n rpm	P <sub>e</sub> W	I A	L <sub>WA</sub> dB(A)
Ⓒ 1	2600	90	0,40	70
Ⓒ 2	2575	95	0,43	66
Ⓒ 3	2520	102	0,45	64
Ⓒ 4	2580	95	0,42	67
Ⓓ 1	2900	120	0,53	73
Ⓓ 2	2790	128	0,56	68
Ⓓ 3	2665	135	0,59	66
Ⓓ 4	2795	126	0,55	69

# AC centrifugal fans RadiCal

backward curved, Ø 220

R2E 220-RA38-01 / R2E 220-RB06-01



K2E 220-RA38-01 / K2E 220-RB06-01

