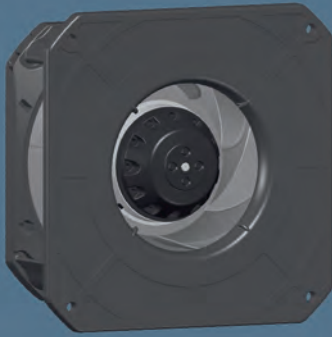


AC centrifugal fans RadiCal

backward curved, Ø 133

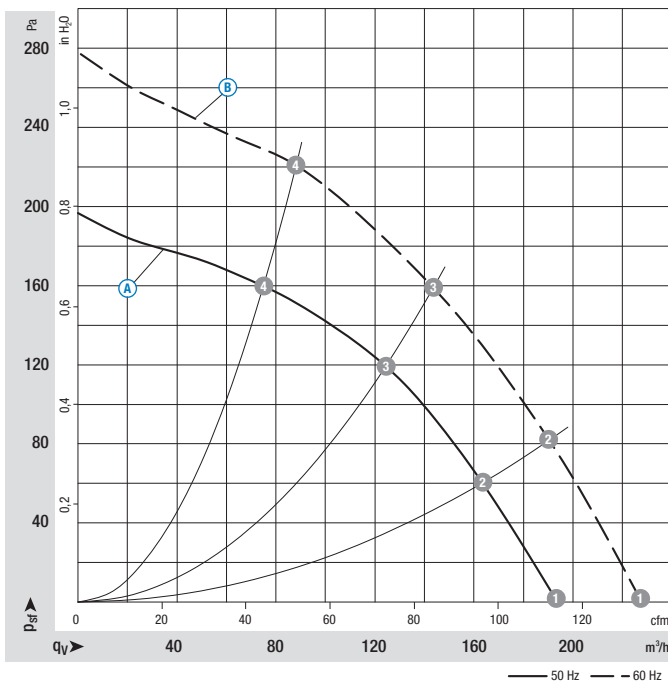


- **Material:** Housing: Plastic PA 6, fibreglass-reinforced
Impeller: Plastic PA 6, fibreglass-reinforced
Rotor: Coated in black
- **Number of blades:** 7
- **Direction of rotation:** Clockwise, seen on rotor
- **Type of protection:** IP 42, depending on installation and position in acc. to EN 60034-5
- **Insulation class:** "B"
- **Mounting position:** Any
- **Condensate discharges:** Rotor-side
- **Mode of operation:** Continuous operation (S1)
- **Bearings:** Maintenance-free ball bearings

Nominal data		Curve	Nominal voltage	Frequency	Speed/rpm	Input power	Current draw	Capacitor	Perm. amb. temp.	Electr. connection
Type	Motor	VAC	Hz	rpm	W	A	µF/VDB	°C	p. 64	
*2E 133	M2E 042-CA	(A) 1~ 230	50	2750	25	0,11	1,5 / 400	-25..+45	A1)	
		(B) 1~ 230	60	3200	25	0,13	1,5 / 400	-25..+60		

subject to alterations

Curves



Air performance measured as per: ISO 5801, Installation category A, without protection against accidental contact

Suction-side noise levels: L_{wA} as per ISO 13347, L_{pA} measured at 1 m distance to fan axis

The acoustic values given are only valid under the measurement conditions listed and may vary depending on the installation situation.

With any deviation to the standard setup, the specific values have to be checked and reviewed once installed or fitted!

For detailed information see page 66 ff.

	n rpm	P _e W	I A	L _{wA} dB(A)
(A) 1	2750	25	0,11	58
(A) 2	2730	25	0,11	56
(A) 3	2710	25	0,11	53
(A) 4	2730	24	0,11	57
(B) 1	3200	25	0,13	62
(B) 2	3170	26	0,13	59
(B) 3	3125	26	0,14	57
(B) 4	3185	25	0,13	60

- **Motor protection:** TOP wired internally
- **Leakage current:** < 0,75 mA
- **Cable exit:** Variable
- **Protection class:** I
- **Product conforming to standards:** EN 60335-1, CE



Mass of centrifugal fan



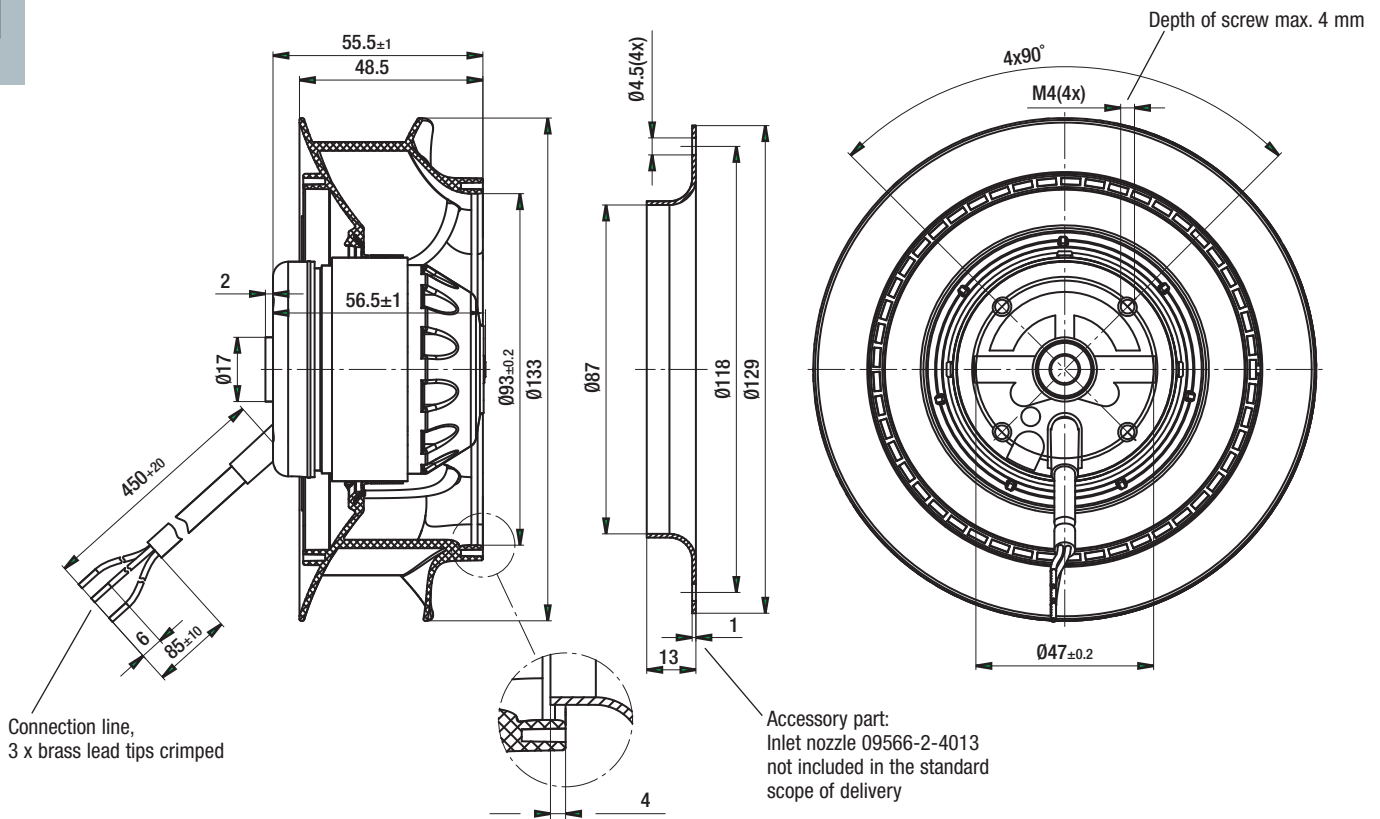
Mass of centrifugal module with support basket

Centrifugal fan	kg	Centrifugal module	kg
R2E 133-RA03 -01	0,6	K2E 133-RA03 -01	0,8

AC centrifugal fans RadiCal

backward curved, $\varnothing 133$

R2E 133-RA03-01



K2E 133-RA03-01

