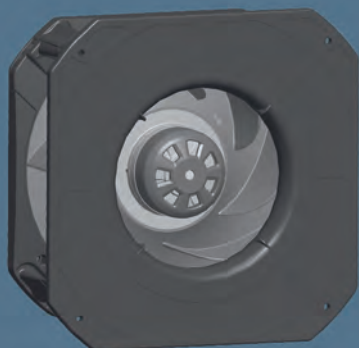


EC centrifugal fans RadiCal

backward curved, Ø 225



- **Material:** Housing: Plastic PA 6, fibreglass-reinforced
Impeller: Plastic PA 6, fibreglass-reinforced
Rotor: Thick layer passivated
Electronics housing: Die-cast aluminium
- **Number of blades:** 7
- **Direction of rotation:** Clockwise, seen on rotor
- **Type of protection:** IP 54
- **Insulation class:** "B"
- **Mounting position:** Any
- **Condensate discharges:** None, open rotor
- **Mode of operation:** Continuous operation (S1)
- **Bearings:** Maintenance-free ball bearings

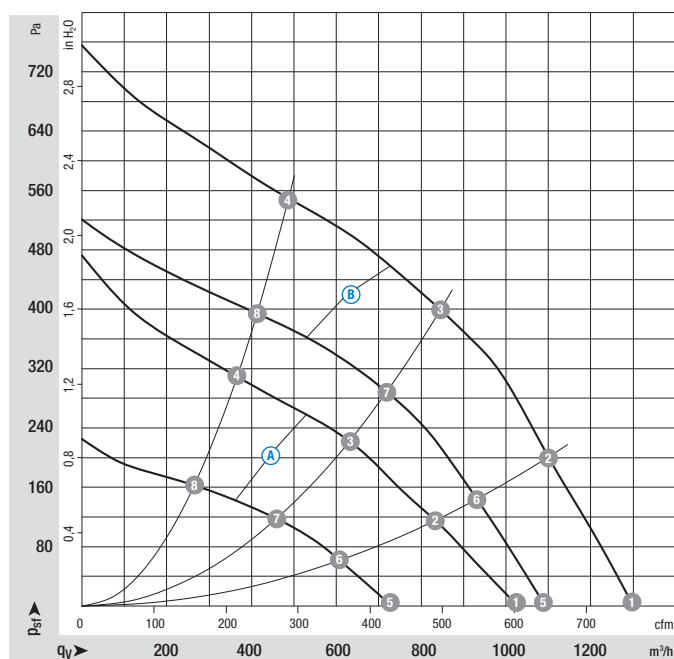
Nominal data

Type	Motor	Curve	Nominal voltage range VAC	Frequency Hz	Speed/rpm ⁽¹⁾ rpm	Max. input power ⁽¹⁾ W	Max. current draw ⁽¹⁾ A	Perm. amb. temp. °C	Electr. connection p. 64/65
*3G 225	M3G 055-CF	A	1~ 200-240	50/60	2200	82	0,70	-25..+60	H3)
*3G 225	M3G 055-DF	B	1~ 200-240	50/60	2900	170	1,45	-25..+60	H3)
*3G 225	M3G 055-CF	C	1~ 200-240	50/60	2200	82	0,70	-25..+60	H4)
*3G 225	M3G 055-DF	D	1~ 200-240	50/60	2900	170	1,45	-25..+60	H4)

subject to alterations

(1) Nominal data in operating point with maximum load and 230 VAC

Curves (2 Speed stages)



Air performance measured as per: ISO 5801, Installation category A, without protection against accidental contact

Suction-side noise levels: L_{wA} as per ISO 13347, L_pA measured at 1 m distance to fan axis

The acoustic values given are only valid under the measurement conditions listed and may vary depending on the installation situation.

With any deviation to the standard setup, the specific values have to be checked and reviewed once installed or fitted!

For detailed information see page 66 ff.

	n rpm	P_e W	I A	L_{wA} dB(A)
(A) 1	2290	70	0,62	69
(A) 2	2170	77	0,66	65
(A) 3	2200	82	0,70	60
(A) 4	2225	73	0,63	66
(A) 5	1640	27	0,28	61
(A) 6	1585	31	0,31	58
(A) 7	1590	31	0,32	53
(A) 8	1630	28	0,29	58
(B) 1	3030	151	1,25	78
(B) 2	2910	168	1,40	74
(B) 3	2900	170	1,45	68
(B) 4	2970	157	1,35	73
(B) 5	2550	91	0,83	74
(B) 6	2495	104	0,94	70
(B) 7	2490	105	0,93	65
(B) 8	2525	97	0,89	69

- **Technical features** (A) (B) : • Speed adjustment input (230V) • Electronics / motor overtemperature protection • Motor current limitation • Locked rotor protection • Soft start
- **Technical features** (C) (D) : • Control input 0-10 VDC / PWM • Output 10 VDC max. 1,1 mA • Tach output • Electronics / motor overtemperature protection • Motor current limitation • Locked rotor protection • Soft start
- **EMC:** Interference emission acc. to EN 61000-6-3
Interference immunity acc. to EN 61000-6-2
Harmonics acc. to EN 61000-3-2/3
- **Leakage current:** < 3,5 mA acc. to EN 60950-1
- **Cable exit:** Variable
- **Protection class:** I
- **Product conforming to standard:** EN 60335-1
- **Approvals:** VDE, UL, CSA, CCC, GOST are applied for



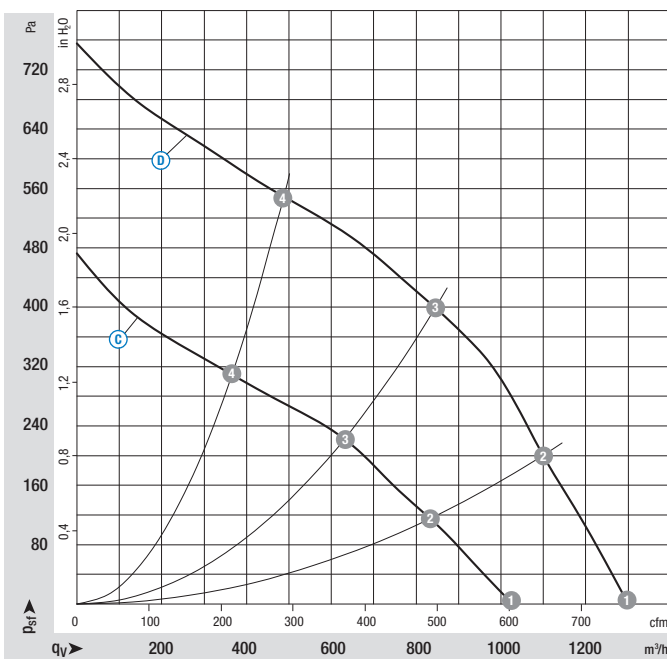
Mass of centrifugal fan



Mass of centrifugal module with support basket

Centrifugal fan	kg	Centrifugal module	kg
R3G 225-RD05 -01	1,40	K3G 225-RD05 -01	2,00
R3G 225-RE07 -01	1,60	K3G 225-RE07 -01	2,20
R3G 225-RD05 -03	1,40	K3G 225-RD05 -03	2,00
R3G 225-RE07 -03	1,60	K3G 225-RE07 -03	2,20

Curves (Speed-controlled)



Air performance measured as per: ISO 5801, Installation category A, without protection against accidental contact

Suction-side noise levels: L_{wA} as per ISO 13347, L_{pA} measured at 1 m distance to fan axis

The acoustic values given are only valid under the measurement conditions listed and may vary depending on the installation situation.

With any deviation to the standard setup, the specific values have to be checked and reviewed once installed or fitted!

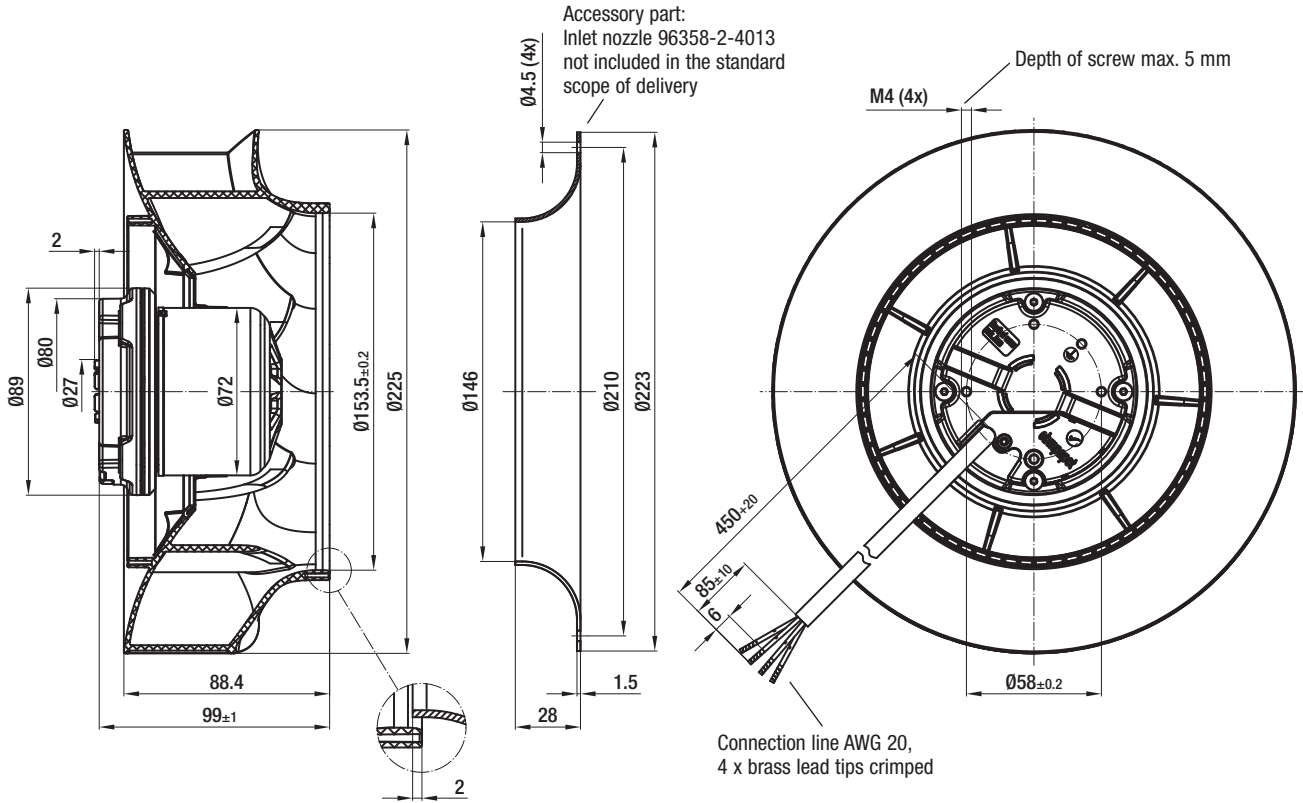
For detailed information see page 66 ff.

	n rpm	P_e W	I A	L_{wA} dB(A)
(C) 1	2290	70	0,62	69
(C) 2	2170	77	0,66	65
(C) 3	2200	82	0,70	60
(C) 4	2225	73	0,63	66
(D) 1	3030	151	1,25	78
(D) 2	2910	168	1,40	74
(D) 3	2900	170	1,45	68
(D) 4	2970	157	1,35	73

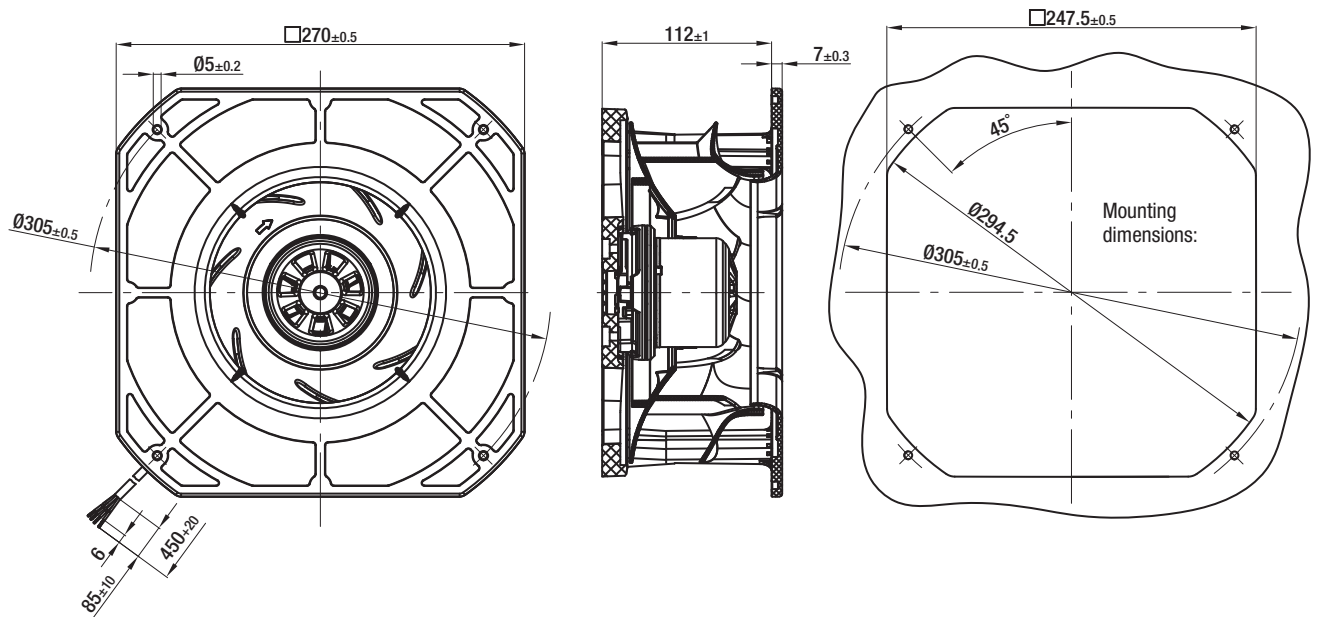
EC centrifugal fans RadiCal

backward curved, Ø 225, 2 Speed stages, 85 W

R3G 225-RD05-01



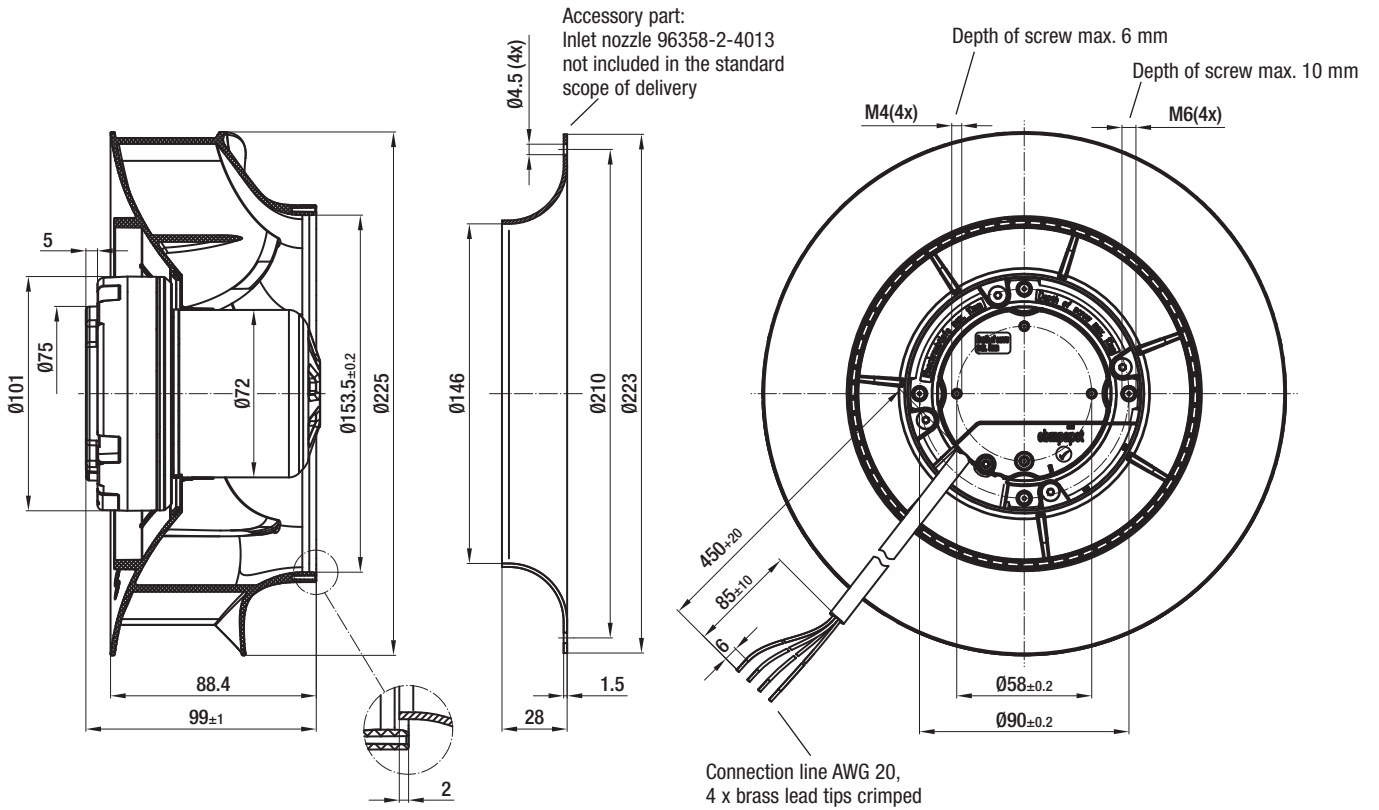
K3G 225-RD05-01



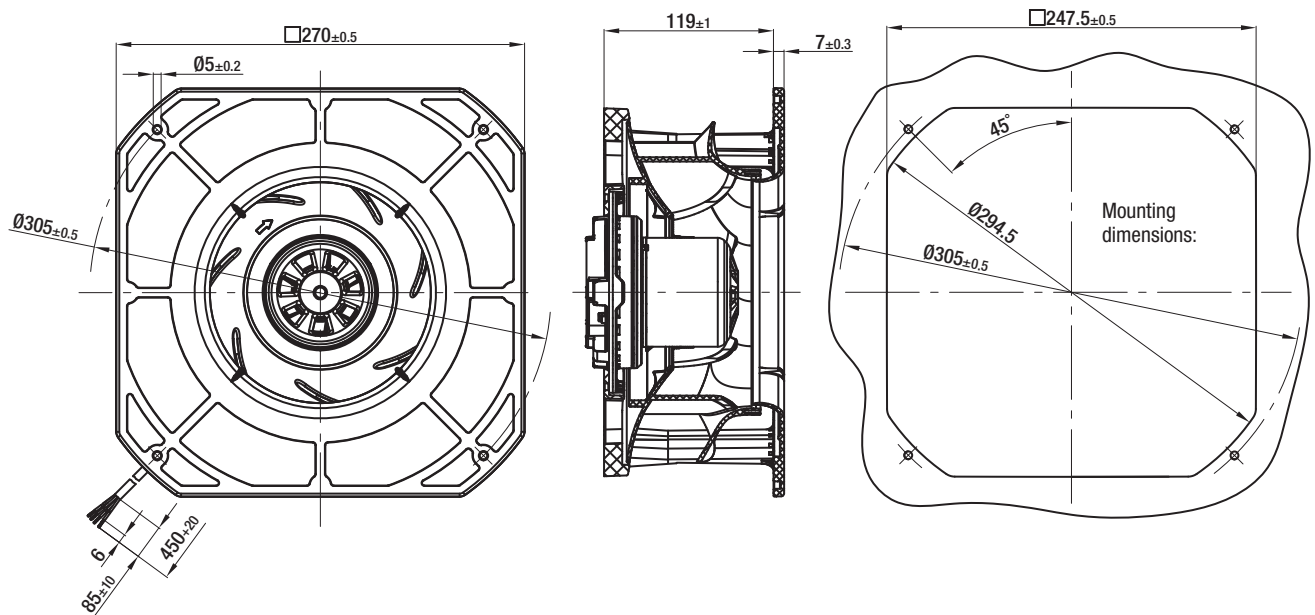
EC centrifugal fans RadiCal

backward curved, Ø 225, 2 Speed stages, 170 W

R3G 225-RE07-01



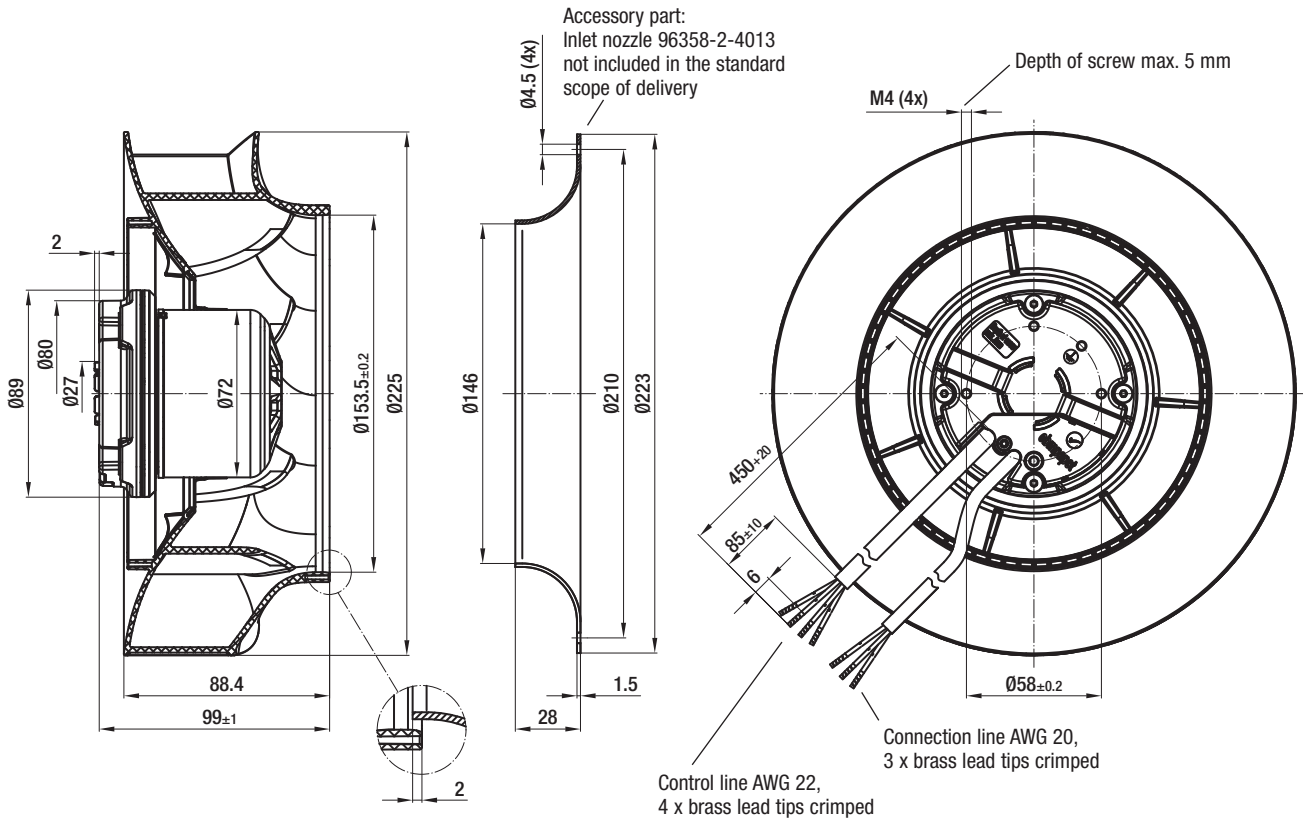
K3G 225-RE07-01



EC centrifugal fans RadiCal

backward curved, Ø 225, Speed-controlled, 85 W

R3G 225-RD05-03



K3G 225-RD05-03

