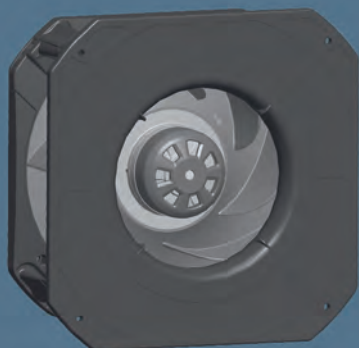


EC centrifugal fans RadiCal

backward curved, Ø 190



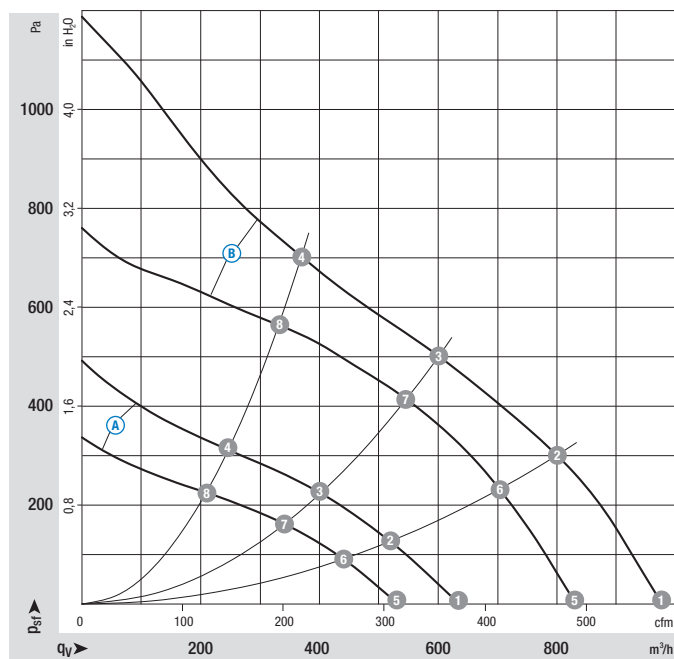
- **Material:** Housing: Plastic PA 6, fibreglass-reinforced
Impeller: Plastic PA 6, fibreglass-reinforced
Rotor: Thick layer passivated
Electronics housing: Die-cast aluminium
- **Number of blades:** 7
- **Direction of rotation:** Clockwise, seen on rotor
- **Type of protection:** IP 54
- **Insulation class:** "B"
- **Mounting position:** Any
- **Condensate discharges:** None, open rotor
- **Mode of operation:** Continuous operation (S1)
- **Bearings:** Maintenance-free ball bearings

Nominal data		Curve	Nominal voltage range	Frequency	Speed/rpm ⁽¹⁾	Max. input power ⁽¹⁾	Max. current draw ⁽¹⁾	Perm. amb. temp.	Electr. connection
Type	Motor	VAC	Hz	rpm	W	A	°C	p. 64/65	
*3G 190	M3G 055-BD	A	1~ 200-240	50/60	2710	57	0,43	-25..+60	H3)
*3G 190	M3G 055-CF	B	1~ 200-240	50/60	4060	170	1,40	-25..+60	H3)
*3G 190	M3G 055-BI	C	1~ 200-240	50/60	3200	85	0,75	-25..+60	H4)
*3G 190	M3G 055-CF	D	1~ 200-240	50/60	4060	170	1,40	-25..+60	H4)

subject to alterations

(1) Nominal data in operating point with maximum load and 230 VAC

Curves (2 Speed stages)



Air performance measured as per: ISO 5801, Installation category A, without protection against accidental contact

Suction-side noise levels: L_{wA} as per ISO 13347, L_{pA} measured at 1 m distance to fan axis

The acoustic values given are only valid under the measurement conditions listed and may vary depending on the installation situation.

With any deviation to the standard setup, the specific values have to be checked and reviewed once installed or fitted!

For detailed information see page 66 ff.

	n rpm	P_e W	I A	L_{wA} dB(A)
A 1	2880	49	0,36	69
A 2	2815	52	0,40	64
A 3	2710	57	0,43	62
A 4	2775	54	0,41	66
A 5	2435	30	0,23	65
A 6	2390	32	0,25	60
A 7	2325	35	0,27	59
A 8	2355	33	0,26	63
B 1	4440	161	1,39	79
B 2	4235	165	1,40	73
B 3	4060	170	1,40	71
B 4	4155	160	1,37	73
B 5	3810	104	0,95	75
B 6	3765	117	1,10	71
B 7	3700	126	1,11	69
B 8	3745	117	1,07	71

- **Technical features** (A) (B) : • Speed adjustment input (230V) • Electronics / motor overtemperature protection • Motor current limitation • Locked rotor protection • Soft start
- **Technical features** (C) (D) : • Control input 0-10 VDC / PWM • Output 10 VDC max. 1,1 mA • Tach output • Electronics / motor overtemperature protection • Motor current limitation • Locked rotor protection • Soft start
- **EMC:** Interference emission acc. to EN 61000-6-3
Interference immunity acc. to EN 61000-6-2
Harmonics acc. to EN 61000-3-2/3
- **Leakage current:** < 3,5 mA acc. to EN 60950-1
- **Cable exit:** Variable
- **Protection class:** I
- **Product conforming to standard:** EN 60335-1
- **Approvals:** VDE, UL, CSA, CCC, GOST are applied for



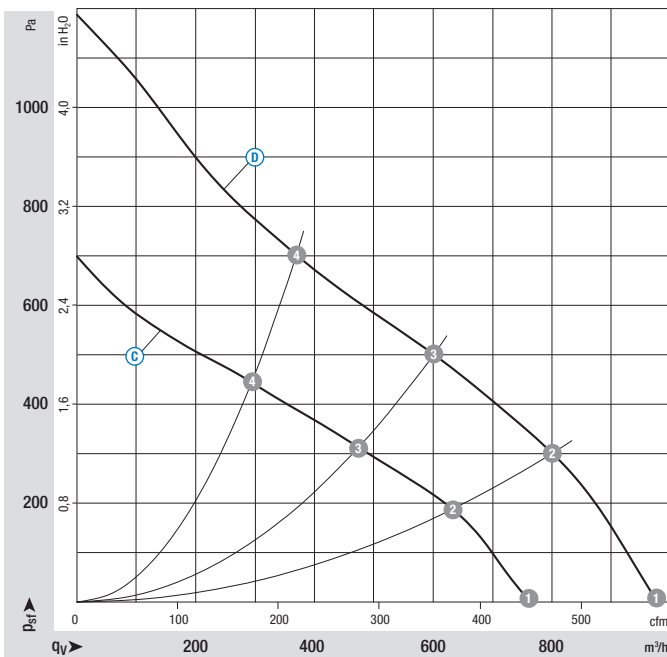
Mass of centrifugal fan



Mass of centrifugal module with support basket

Centrifugal fan	kg	Centrifugal module	kg
R3G 190-RB01 -01	0,85	K3G 190-RB01 -01	1,40
R3G 190-RD45 -01	1,36	K3G 190-RD45 -01	1,91
R3G 190-RC05 -03	1,06	K3G 190-RC05 -03	1,61
R3G 190-RD45 -03	1,36	K3G 190-RD45 -03	1,91

Curves (Speed-controlled)



Air performance measured as per: ISO 5801, Installation category A, without protection against accidental contact

Suction-side noise levels: L_{wA} as per ISO 13347, L_{pA} measured at 1 m distance to fan axis

The acoustic values given are only valid under the measurement conditions listed and may vary depending on the installation situation.

With any deviation to the standard setup, the specific values have to be checked and reviewed once installed or fitted!

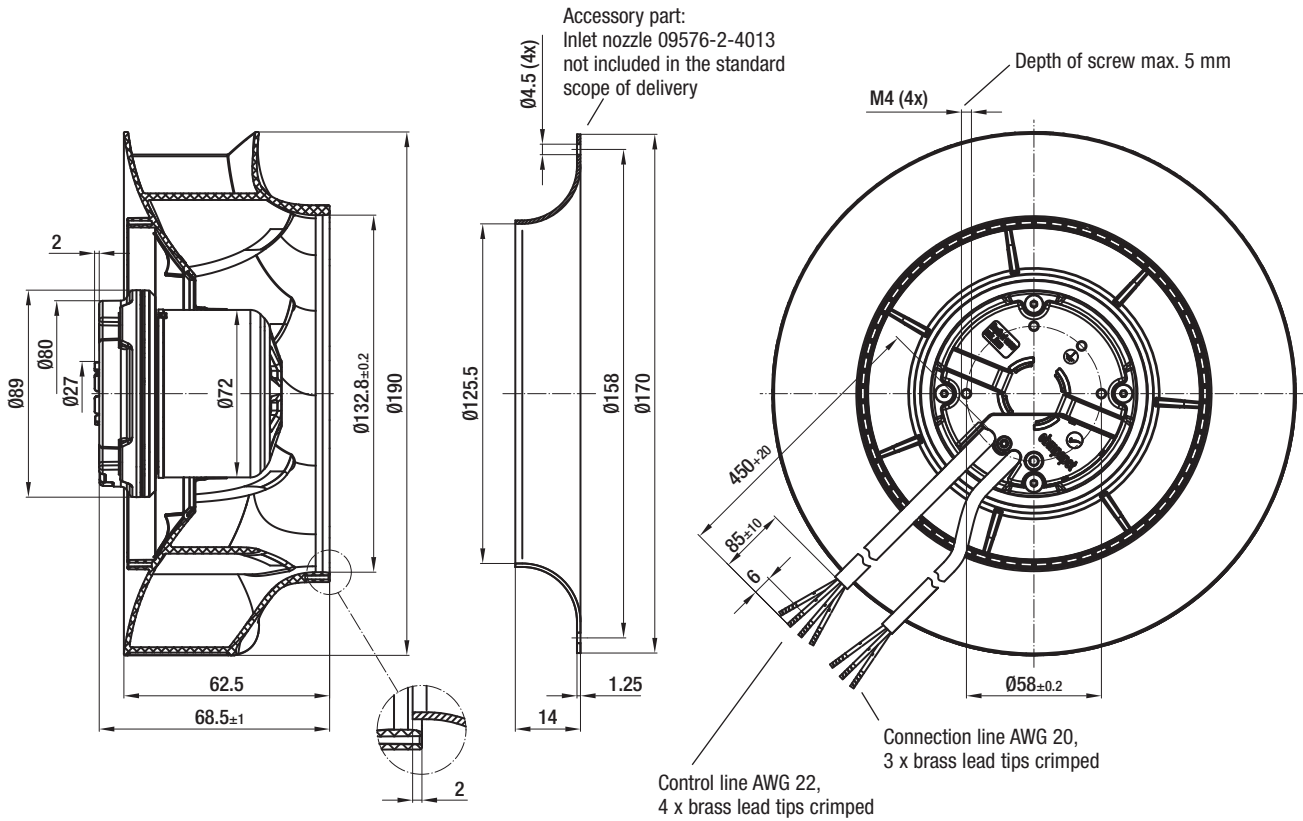
For detailed information see page 66 ff.

	n rpm	P_e W	I A	L_{wA} dB(A)
(C) 1	3435	80	0,69	73
(C) 2	3335	85	0,73	68
(C) 3	3200	85	0,75	66
(C) 4	3300	85	0,74	70
(D) 1	4440	161	1,39	79
(D) 2	4235	165	1,40	73
(D) 3	4060	170	1,40	71
(D) 4	4155	160	1,37	73

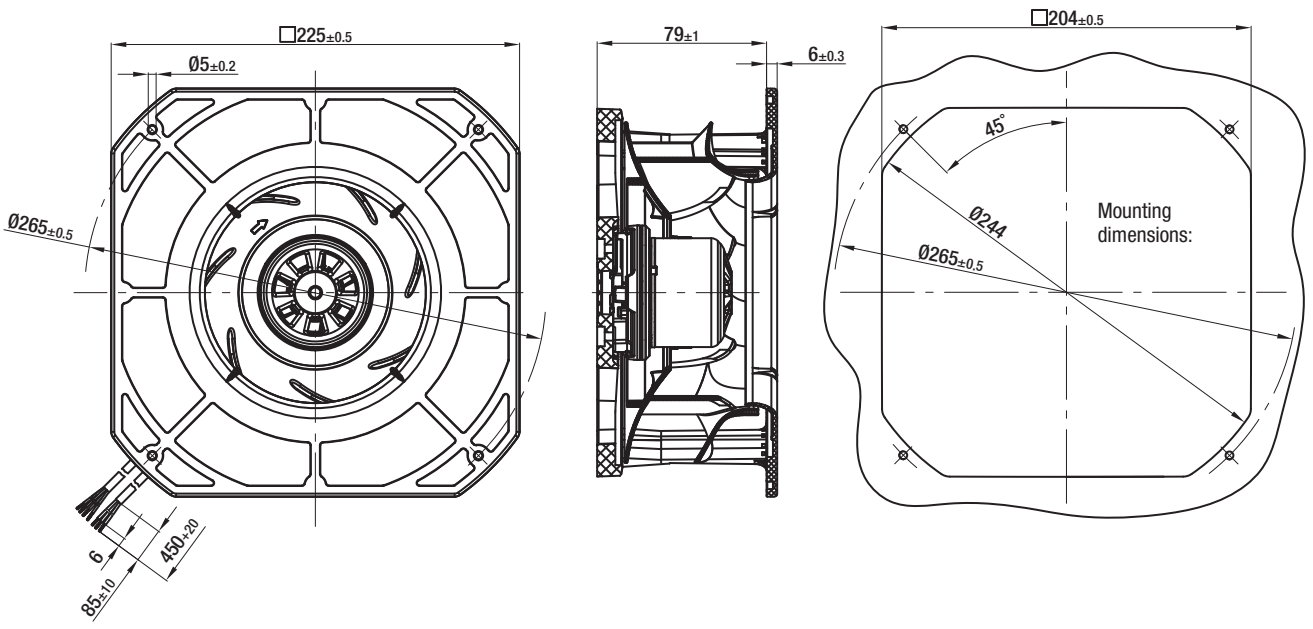
EC centrifugal fans RadiCal

backward curved, Ø 190, Speed-controlled, 85 W

R3G 190-RC05-03



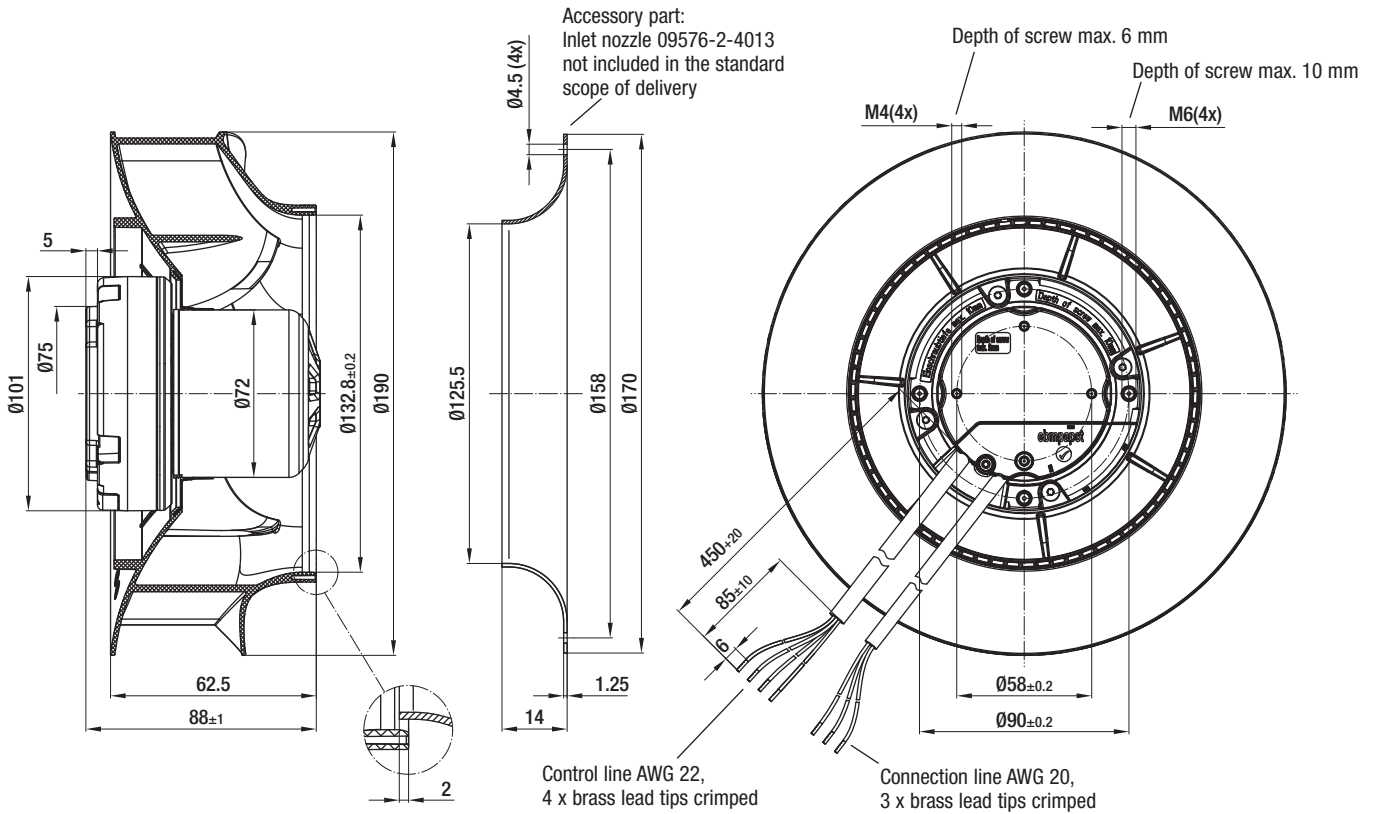
K3G 190-RC05-03



EC centrifugal fans RadiCal

backward curved, Ø 190, Speed-controlled, 170 W

R3G 190-RD45-03



K3G 190-RD45-03

