

# FB

for three phase alternating current, 4-4 pole

FBO50-VD

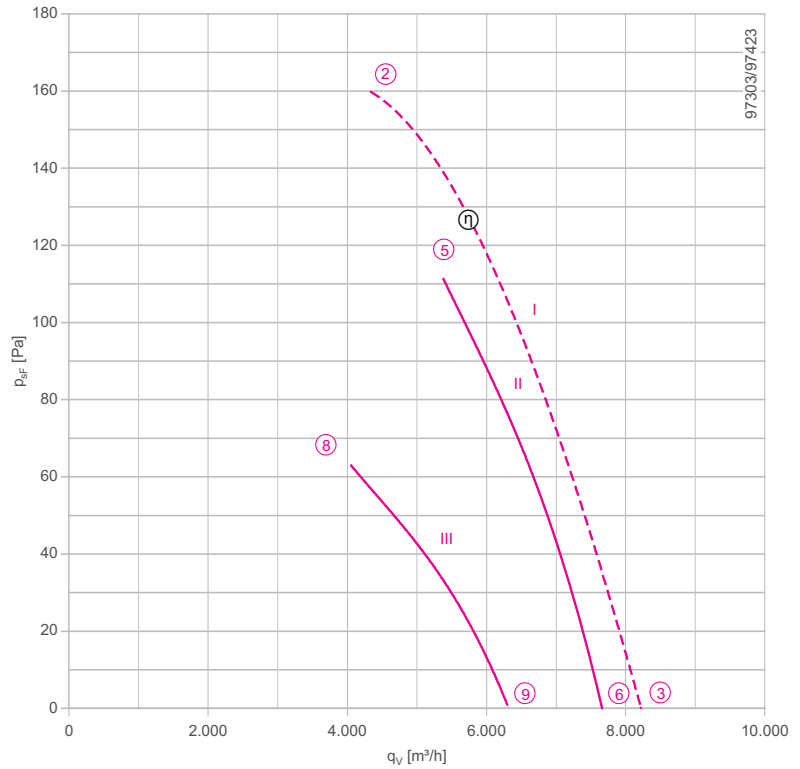


### Description

Motor technology: AC  
 Rated voltage  $U_N$ : 3- 400 V ( $\Delta/Y$ )  $\pm 10$  %\*  
 Rated frequency  $f_N$ : 50 Hz\*  
 Input power  $P_i$ : 0.65/0.44 kW\*  
 Rated current  $I_N$ : 1.15/0.77 A\*  
 Rated speed  $n_N$ : 1340/ 960  $\text{min}^{-1}$ \*  
 Starting current  $I_s$ : 4.20 / 1.20 A  
 Current increase  $\Delta I$ : 15 %  
 Thermal class: THCL155\*  
 Min. permitted ambient temperature  $t_{R(\text{min})}$ : -40 °C  
 Max. permitted ambient temperature  $t_{R(\text{max})}$ : 70 °C  
 Electrical connection: Terminal box  
 Number of blades: 4  
 Protection class: IP54  
 Motor protection: thermal contact  
 Blades: Aluminium, uncoated  
 Rotor: Aluminium, uncoated  
 Conformity: ErP 2015, CE

**ErP-data**  
 Efficiency  $\eta_{\text{statA}}$ : 34.6 %  
 Efficiency:  $N_{\text{actual}} = 42.4 / N_{\text{target}} = 40$ \*\*  
 \* Rated data  
 \*\*ErP 2015

### Characteristic curve



I) Measured in full bell mouth without guard grille in installation type A according to ISO 5801.  
 II-x) Measured in short-bell mouth with compressed side contact protection.

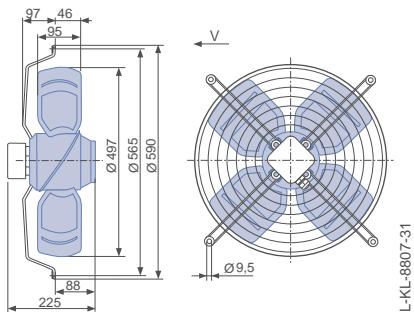
Connection diagram

Page 192  
1360-108XA

### Dimensions mm



Design K - axial bolted, mounted for short bell mouth, guard grille pressure side



### Performance data


| Type           | Connection | Characteristic curve | Voltage | Operating point | Current | Input power | Speed | Suction side sound power level<br>$L_{WA5}$<br>dB(A) |    |
|----------------|------------|----------------------|---------|-----------------|---------|-------------|-------|--|----|
|                |            |                      | U<br>V  |                 |         |             |       |  |    |
| FB050-VD_4I_4P | Δ          | I                    | 400*    | ②               | 1.15*   | 660*        | 1340* | 84   |    |
|                |            |                      | 400     | ③               | 0.84    | 420         | 1410  | 77   |    |
|                |            |                      | 400     | ⑤               | 1.05    | 600         | 1360  | 79   |    |
|                |            | II                   | 400     | ⑥               | 0.90    | 460         | 1400  | 77   |    |
|                |            |                      | Y       | 400             | ⑧       | 0.74        | 420   | 1030   | 73 |
|                |            |                      |         | 400             | ⑨       | 0.64        | 370   | 1140   | 72 |

\*rated data

### Fan ordering information

**Airflow direction V**

Design K (guard grille pressure side)



**Type** FB050-VDK.4I.V4P  
**Article no.** 210543

Weight kg 11.30

### Control technology

|  |  |  |
|--|--|--|
| Frequency inverter<br>Fcontrol 3~  | Motor protection units<br>3~   | Electronic voltage<br>controllers 3~   |
|  |  |  |