



Nominal data

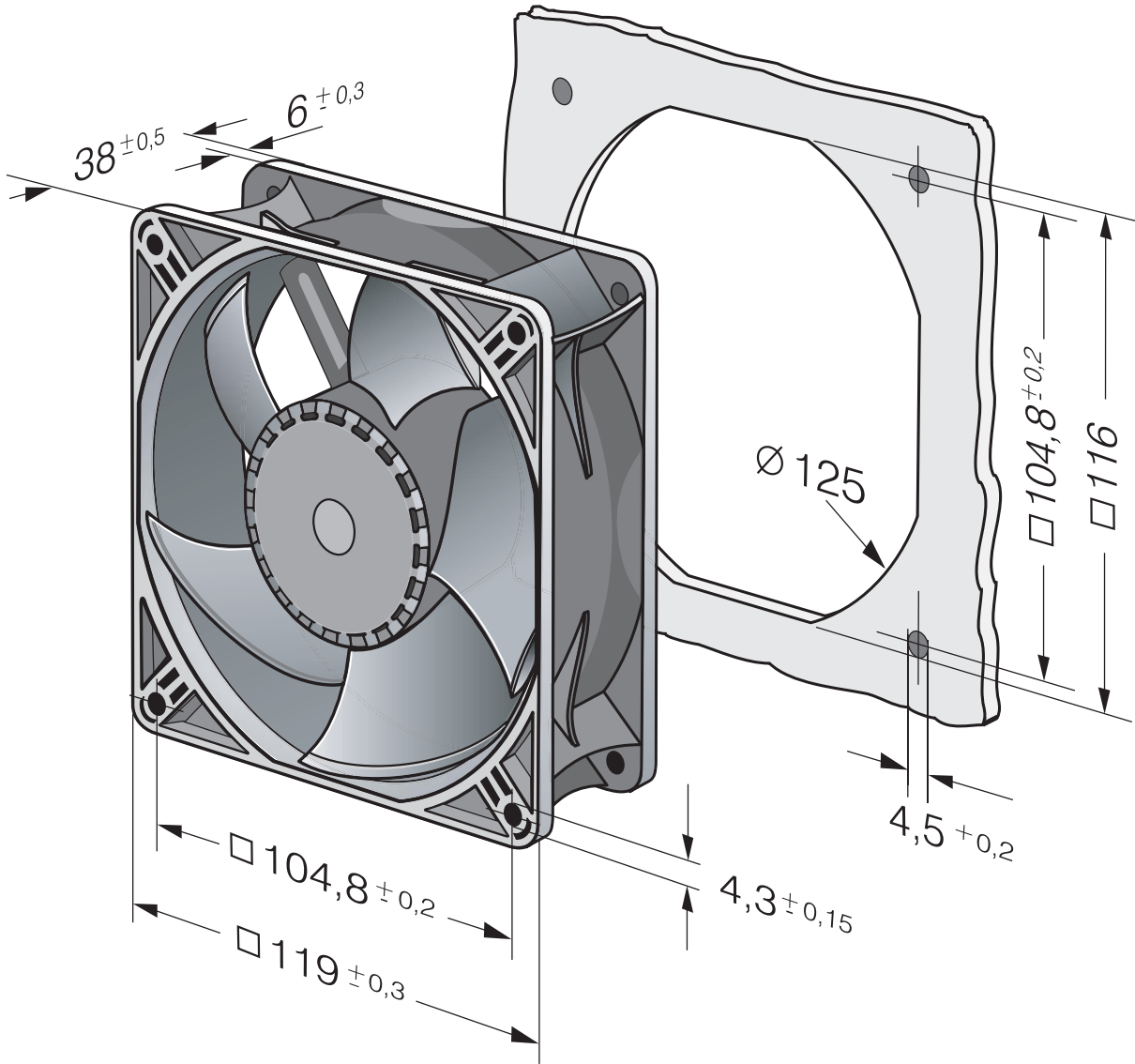
Type	ACI 4400 HH	
Nominal voltage range	VAC	100 .. 240
Frequency	Hz	50/60
Speed (rpm)	min ⁻¹	3300
Power consumption	W	4.4
Air flow	m ³ /h	175
Sound power level	B	5.5
Sound pressure level	dB(A)	43

ml = Max. load · me = Max. efficiency · fa = Free air · cs = Customer specification · ce = Customer equipment
Subject to change

Technical description

Weight	0.25 kg
Dimensions	119 x 119 x 38 mm
Impeller material	Glass-fiber reinforced PA plastic
Housing material	Glass-fiber reinforced PBT plastic
Part no.	9203509504
Airflow direction	Exhaust over struts
Direction of rotation	Clockwise, viewed toward rotor
Bearing	Ball bearing
Service life L10 at 40 °C	65000 h
Service life L10 at maximum temperature	25000 h
Cable	2 flat plugs 2.8 x 0.5 mm

Product drawing



Curves

