

G3G200-GN18-20

EC centrifugal fan

backward curved, single inlet

with housing (flange), Gas blower for gas-condensing heating



Nominal data

Type	G3G200-GN18-20	
Motor	M3G084-DF	
Phase		1~
Nominal voltage	VAC	230
Nominal voltage range	VAC	208 .. 240
Frequency	Hz	50/60
Type of data definition		ml
Speed	min ⁻¹	5700
Power input	W	750
Current draw	A	3.6 @ 208 V
Min. ambient temperature	°C	-20
Max. ambient temperature	°C	60
Min. temp. of flow medium	°C	0
Max. temp. of flow medium	°C	60

ml = max. load · me = max. efficiency · rfa = running at free air · cs = customer specs · cu = customer unit
Subject to alterations



Technical features

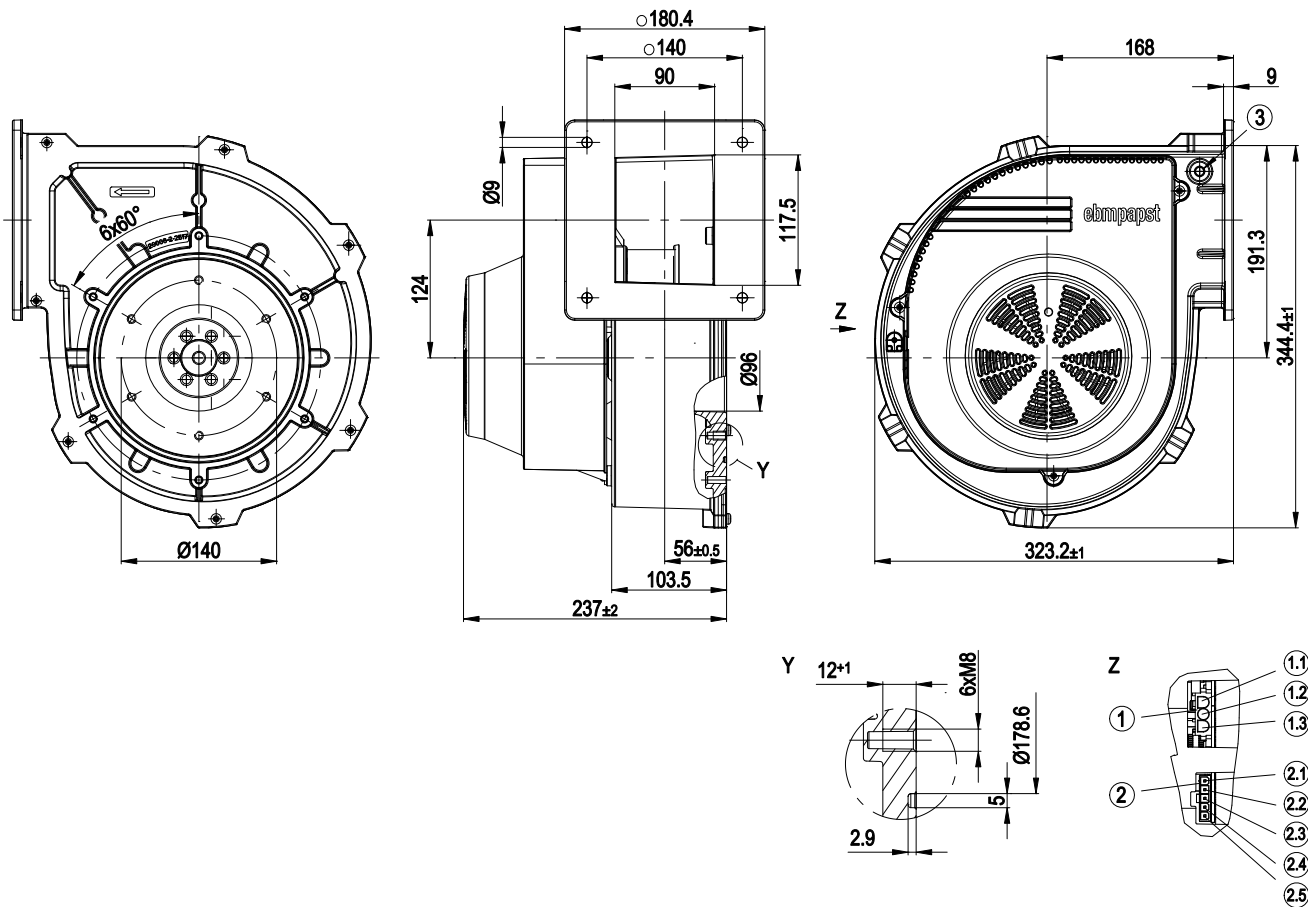
Mass	9.2 kg
Size	200 mm
Surface of rotor	Coated in black
Material of protective cover	Polyflam RPP 374-ND CS1 (UL 97-V0)
Material of impeller	Aluminium sheet
Housing material	Die-cast aluminium
Number of blades	7
Direction of rotation	Clockwise, seen on rotor
Type of protection	IP 20
Insulation class	"B"
Max. permissible ambient motor temp. (transp./ storage)	+80 °C
Min. permissible ambient motor temp. (transp./storage)	-40 °C
Mounting position	Any
Condensate discharge holes	Rotor-side
Operation mode	S1
Motor bearing	Ball bearing
Technical features	<ul style="list-style-type: none"> - Tach output - Over-temperature-protected electronics / motor - PFC, active - Motor current limit - Line undervoltage / phase failure detection - PWM control input - Control input 0-10 V
EMC interference immunity	Acc. to EN 61000-6-2 (industrial environment)
EMC interference emission	Acc. to EN 61000-6-4 (industrial environment)
EMC harmonics	Acc. to EN 61000-3-2/3
Leakage current	<= 3.5 mA
Electrical leads	With plug
Motor protection	Locked-rotor protection
Protection class	I
Approval	CSA C22.2 Nr.113; UL 507

EC centrifugal fan

backward curved, single inlet

with housing (flange), Gas blower for gas-condensing heating

Product drawing



Y	Detail Y
Z	View Z / plug assignment
1	3-pole strip to fit mating connector (not included in standard scope of delivery) Tyco No. 350766-1, female connector Tyco No. 926884-1
1.1	L
1.2	N
1.3	PE
2	5-pole strip to fit mating connector (not included in standard scope of delivery) Molex No. 39-01-4050, female connector Molex No. 39-00-0059
2.1	+
2.2	Speed monitoring
2.3	0-10 VDC
2.4	PWM input
2.5	-
3	Pressure tap optionally available

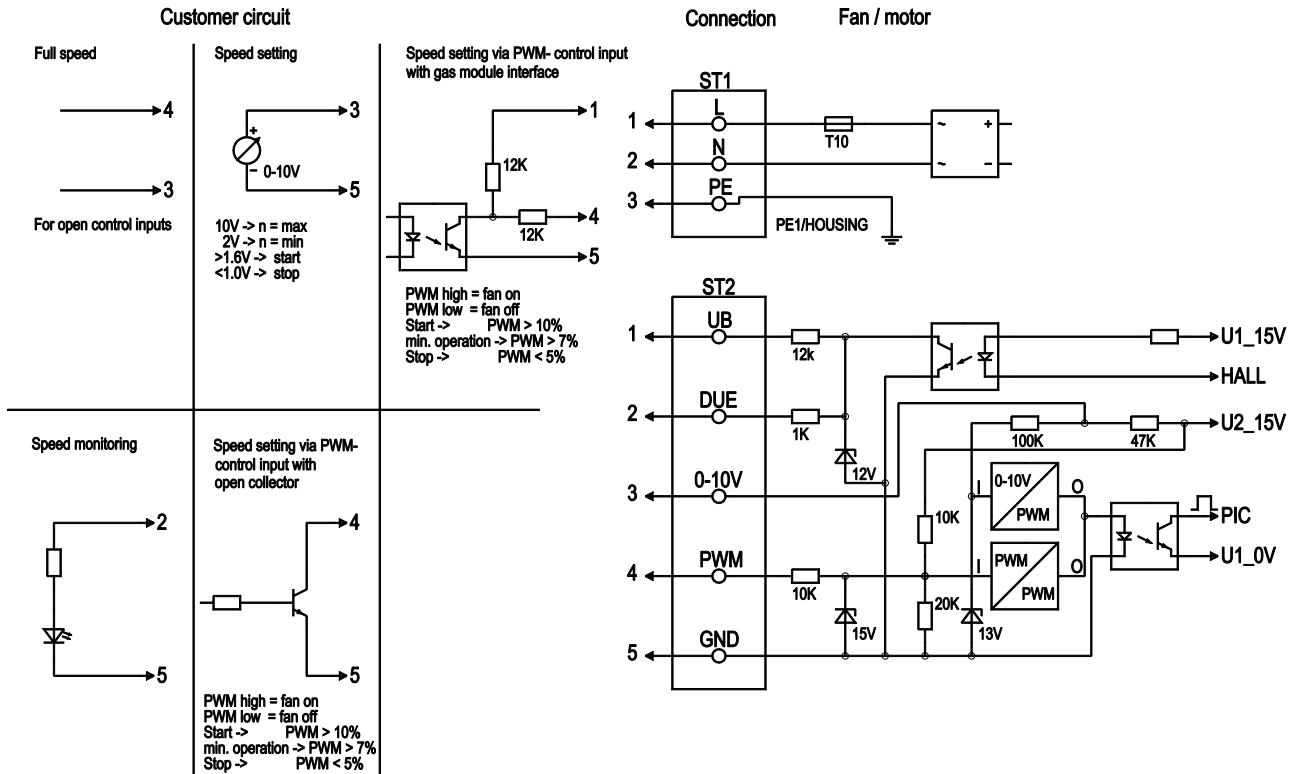


EC centrifugal fan

backward curved, single inlet

with housing (flange), Gas blower for gas-condensing heating

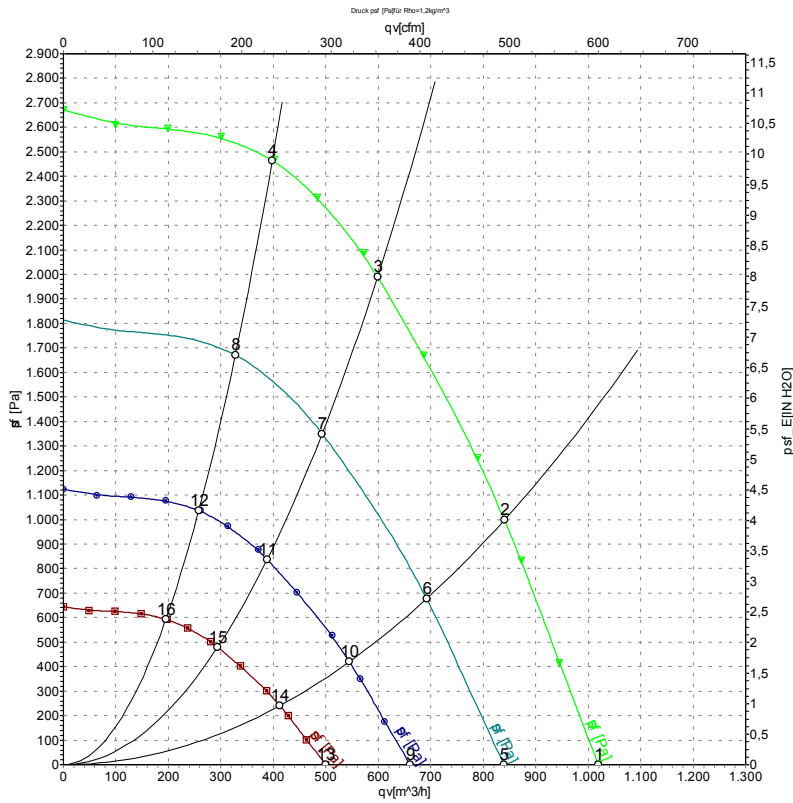
Connection screen



No.	Pin	Signal	Function / assignment
ST1	1; 2; 3	L; N; PE	Power supply 230 VAC, 50 - 60 Hz, phase, neutral, protective earth
ST2	1	UB	External voltage 16 - 45 VDC, residual ripple +/- 3.5%, SELV
ST2	2	DUE	Speed monitoring, 3 pulses per revolution, SELV
ST2	3	0 - 10 V	Control input 0 - 10 V, impedance 100k, SELV
ST2	4	PWM	Control input PWM, 1 - 6 kHz, SELV
ST2	5	GND	GND - Connection for control interface, SELV



Charts: Air flow 50 Hz



Measurement: LU-76333

Air performance measured as per ISO 5801 Installation category A. For detailed information on the measuring set-up, please contact ebm-papst. Suction-side noise levels: LwA measured as per ISO 13347 / LpA measured with 1m distance to fan axis. The values given are valid under the measuring conditions mentioned above and may vary according to the actual installation situation. With any deviation from the standard set-up, the specific values have to be checked and reviewed with the unit installed.

Measured values

	U	f	n	P _e	I	LpA _{in}	qV	P _{sf}
	V	Hz	min ⁻¹	W	A	dB(A)	m ³ /h	Pa
1	230	50	5700	681	2.97	86	1020	0
2	230	50	5700	750	3.30	84	840	1000
3	230	50	5700	682	2.98	81	600	2000
4	230	50	5700	557	2.44	78	400	2475
5	230	50	4700	381	1.66	81	840	0
6	230	50	4700	413	1.80	79	690	677
7	230	50	4700	381	1.67	76	495	1352
8	230	50	4700	311	1.36	74	330	1678
9	230	50	3700	186	0.81	75	660	0
10	230	50	3700	201	0.88	73	545	420
11	230	50	3700	186	0.81	71	390	838
12	230	50	3700	152	0.67	69	260	1040
13	230	50	2800	80	0.35	69	500	0
14	230	50	2800	87	0.38	66	410	240
15	230	50	2800	81	0.35	64	295	480
16	230	50	2800	66	0.29	63	195	595

