

G3G200-GN26-01

EC centrifugal fan

backward curved, single inlet

with housing (flange), Gas blower for gas-condensing heating



Nominal data

Type	G3G200-GN26-01	
Motor	M3G084-DF	
Phase		1~
Nominal voltage	VAC	115
Nominal voltage range	VAC	100 .. 130
Frequency	Hz	50/60
Type of data definition		ml
Speed	min ⁻¹	5700
Power input	W	800
Current draw	A	10.5 @ 100 V
Min. ambient temperature	°C	-20
Max. ambient temperature	°C	60
Min. temp. of flow medium	°C	0
Max. temp. of flow medium	°C	60

ml = max. load · me = max. efficiency · rfa = running at free air · cs = customer specs · cu = customer unit
Subject to alterations



Technical features

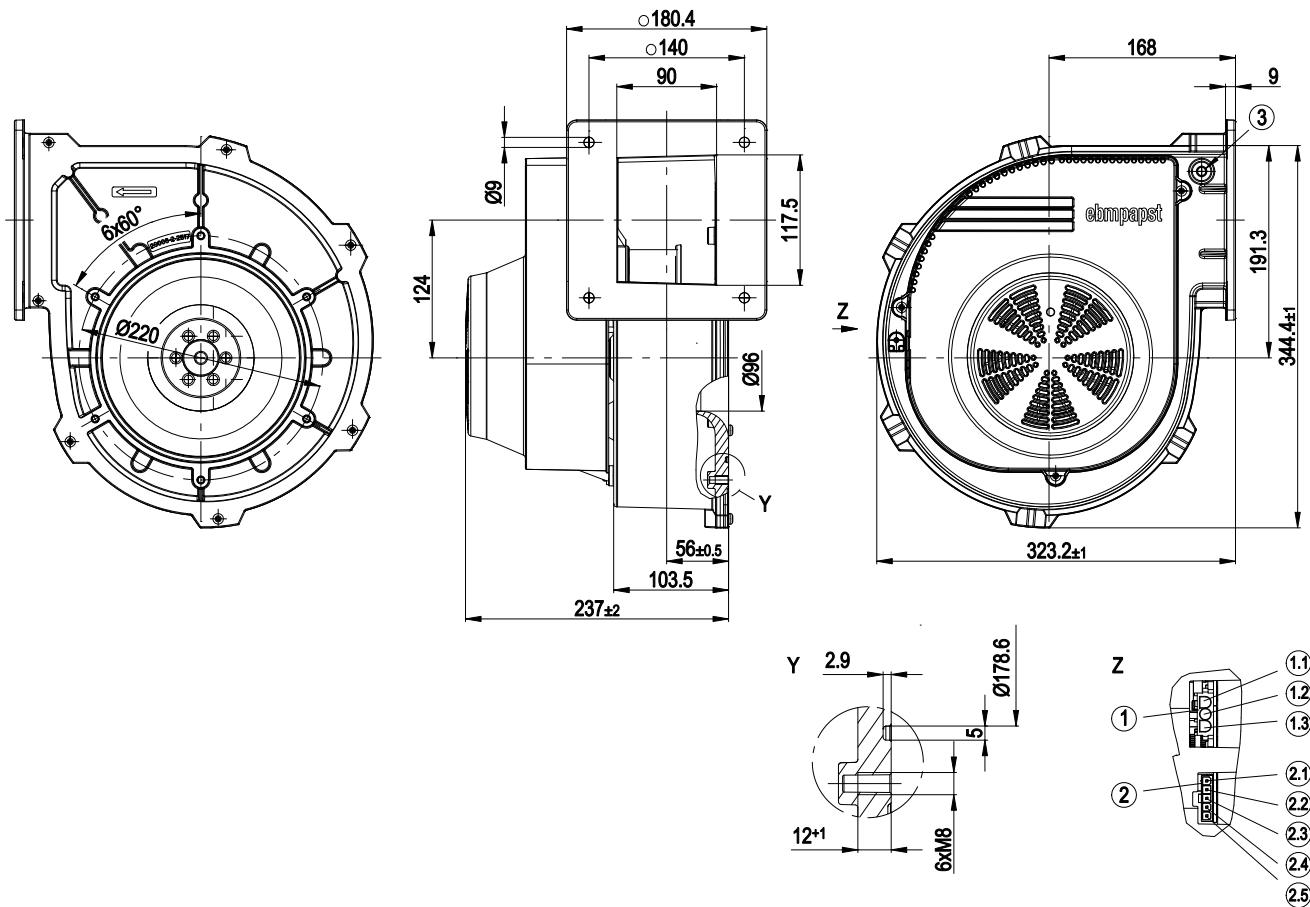
Mass	9.2 kg
Size	200 mm
Surface of rotor	Coated in black
Material of protective cover	Polyflam RPP 374-ND CS1 (UL 97-V0)
Material of impeller	Aluminium sheet
Housing material	Die-cast aluminium
Number of blades	7
Direction of rotation	Clockwise, seen on rotor
Type of protection	IP 20
Insulation class	"B"
Max. permissible ambient motor temp. (transp./ storage)	+80 °C
Min. permissible ambient motor temp. (transp./storage)	-40 °C
Mounting position	Any
Condensate discharge holes	Rotor-side
Operation mode	S1
Motor bearing	Ball bearing
Technical features	<ul style="list-style-type: none"> - PFC, passive - Tach output - Over-temperature protected electronics / motor - Line undervoltage detection - Motor current limit - PWM control input - Control input 0-10 V
EMC interference immunity	Acc. to EN 61000-6-2 (industrial environment)
EMC interference emission	Acc. to EN 61000-6-4 (industrial environment)
Leakage current	<= 3.5 mA
Electrical leads	With plug
Motor protection	Locked-rotor protection
Protection class	I
Approval	CCC; CSA C22.2 Nr.113; UL 507

EC centrifugal fan

backward curved, single inlet

with housing (flange), Gas blower for gas-condensing heating

Product drawing



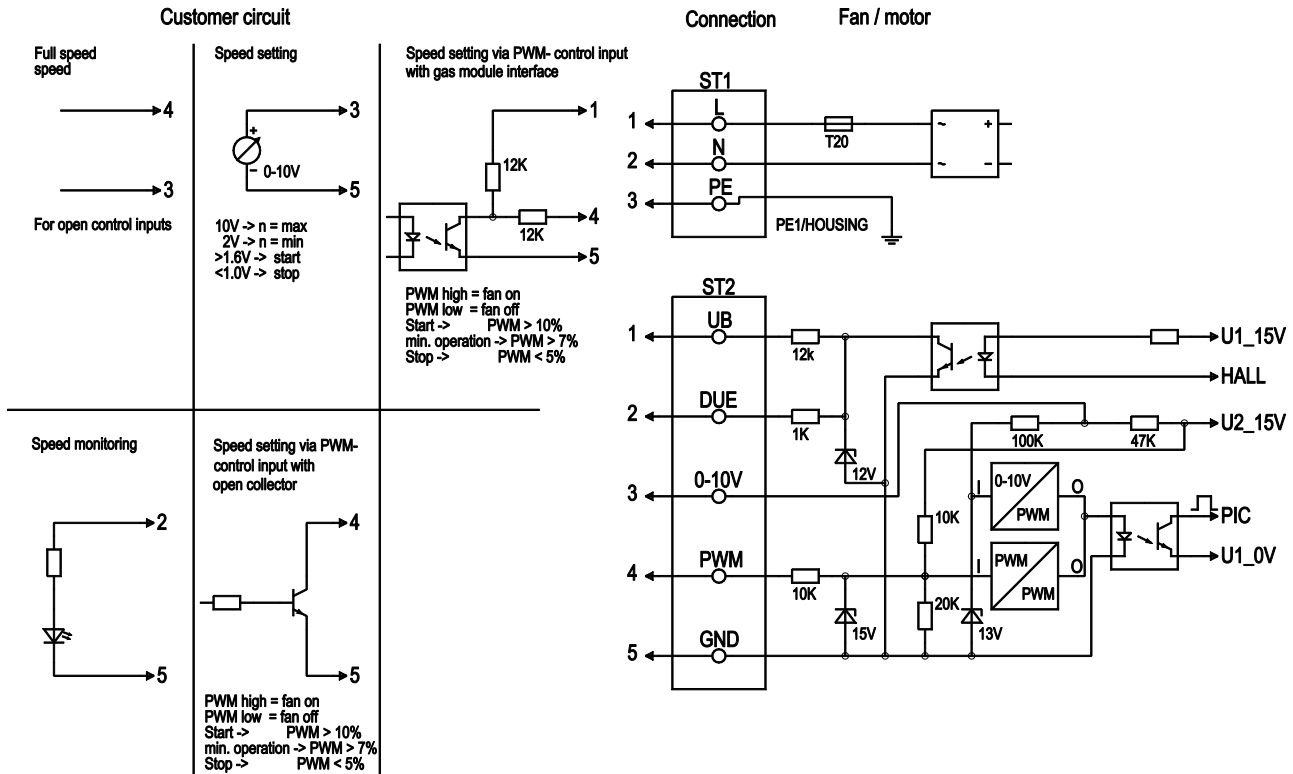
Y	Detail Y
Z	View Z / plug assignment
1	3-pole strip to fit mating connector (not included in standard scope of delivery) Tyco No. 350766-1, female connector Tyco No. 926884-1
1.1	L
1.2	N
1.3	PE
2	5-pole strip to fit mating connector (not included in standard scope of delivery) Molex No. 39-01-4050, female connector Molex No. 39-00-0059
2.1	+
2.2	Speed monitoring
2.3	0-10 VDC
2.4	PWM input
2.5	-
3	Pressure tap optionally available

EC centrifugal fan

backward curved, single inlet

with housing (flange), Gas blower for gas-condensing heating

Connection screen



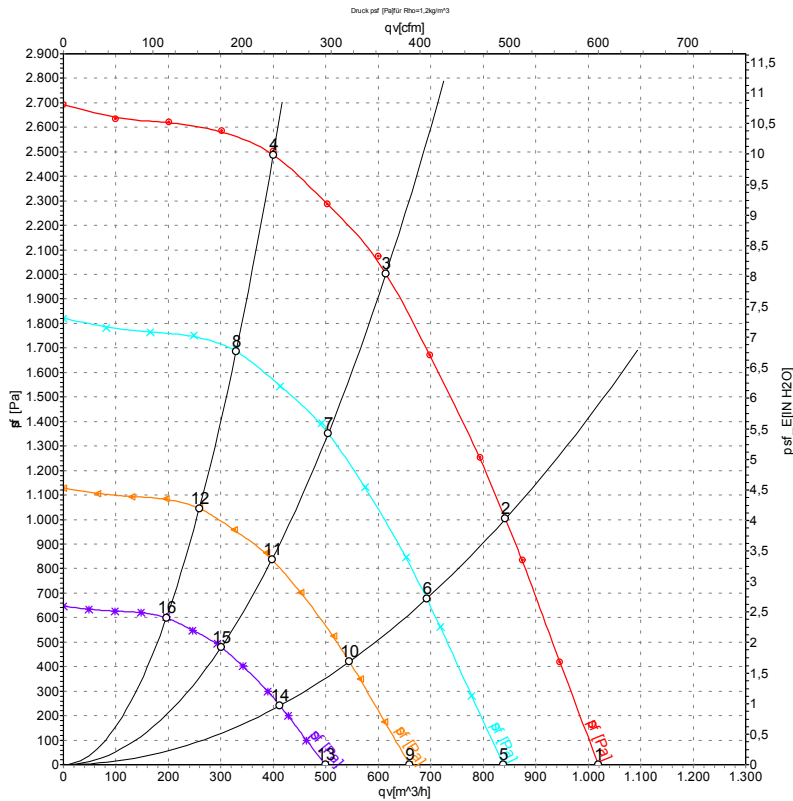
No.	Pin	Signal	Function / assignment
ST1	1; 2; 3	L; N; PE	Power supply 115 VAC, 50 - 60 Hz, phase, neutral, protective earth
ST2	1	UB	External voltage 16 - 45 VDC, residual ripple +/- 3.5%, SELV
ST2	2	DUE	Speed monitoring, 3 pulses per revolution, SELV
ST2	3	0 - 10 V	Control input 0 - 10 V, impedance 100k, SELV
ST2	4	PWM	Control input PWM, 1 - 6 kHz, SELV
ST2	5	GND	Power supply 230 VAC, 50 - 60 Hz, phase, neutral, protective earth

EC centrifugal fan

backward curved, single inlet

with housing (flange), Gas blower for gas-condensing heating

Charts: Air flow 50 Hz



Measurement: LU-76338

Air performance measured as per ISO 5801 Installation category A. For detailed information on the measuring set-up, please contact ebm-papst. Suction-side noise levels: LwA measured as per ISO 13347 / LpA measured with 1m distance to fan axis. The values given are valid under the measuring conditions mentioned above and may vary according to the actual installation situation. With any deviation from the standard set-up, the specific values have to be checked and reviewed with the unit installed.

Measured values

	U	f	n	P _e	I	LpA _{in}	qv	P _{sf}
	V	Hz	min ⁻¹	W	A	dB(A)	m ³ /h	Pa
1	115	50	5700	743	8.17	86	1020	0
2	115	50	5700	800	8.70	84	840	1000
3	115	50	5700	718	7.92	81	615	2000
4	115	50	5700	585	6.53	78	400	2500
5	115	50	4700	413	4.54	81	840	0
6	115	50	4700	441	4.83	79	690	678
7	115	50	4700	397	4.38	76	505	1356
8	115	50	4700	327	3.65	74	330	1697
9	115	50	3700	202	2.22	75	660	0
10	115	50	3700	215	2.36	73	545	420
11	115	50	3700	194	2.14	71	395	841
12	115	50	3700	160	1.78	69	260	1052
13	115	50	2800	87	0.96	69	500	0
14	115	50	2800	93	1.02	66	410	240
15	115	50	2800	84	0.93	64	300	481
16	115	50	2800	69	0.77	63	195	602

