



## Nominal data

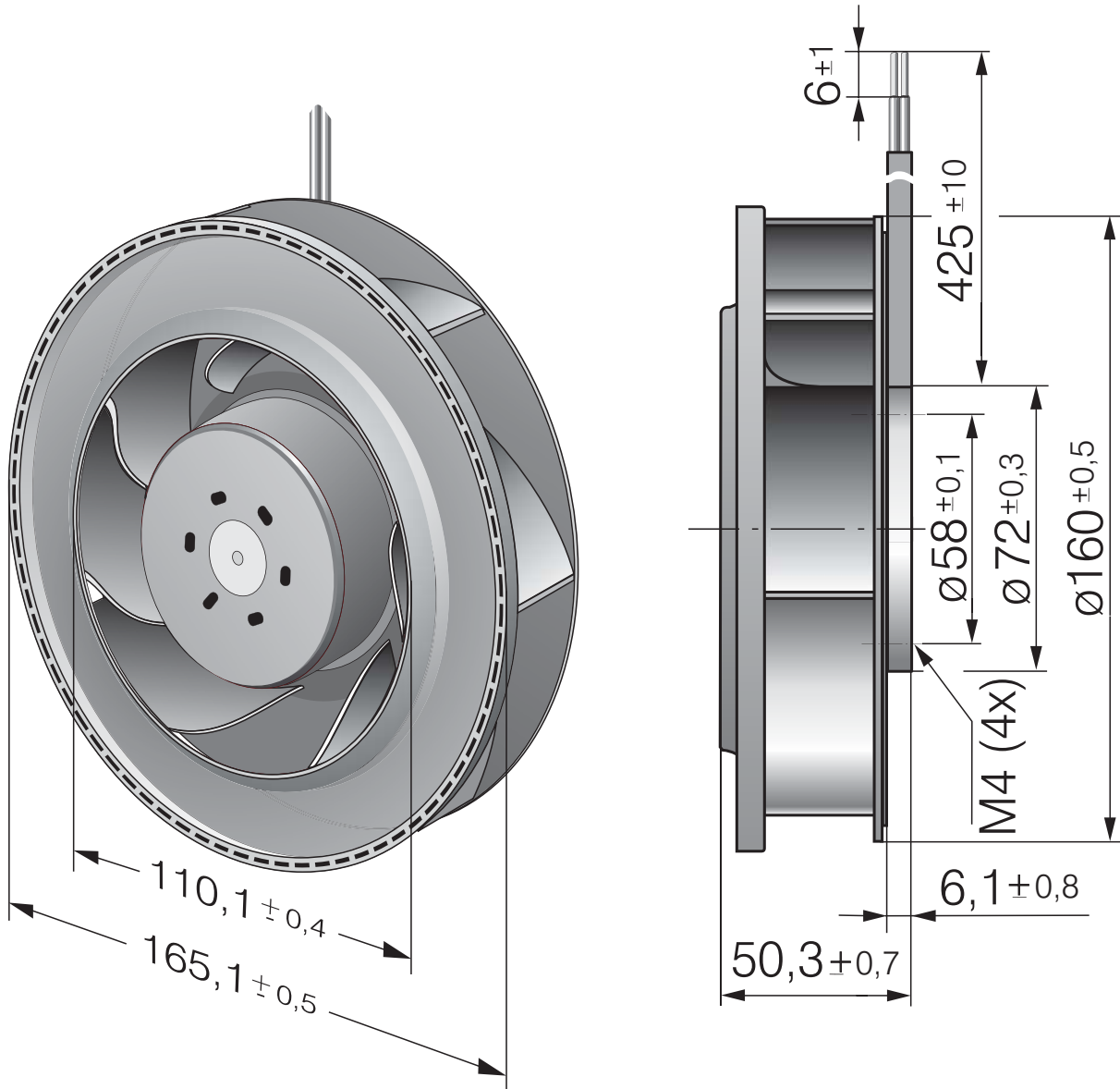
| Type                     | RER 160-28/18 NTDI |          |
|--------------------------|--------------------|----------|
| Nominal voltage          | VDC                | 48       |
| Nominal voltage range    | VDC                | 38 .. 57 |
| Speed (rpm)              | min <sup>-1</sup>  | 4200     |
| Power consumption        | W                  | 43.0     |
| Min. ambient temperature | °C                 | -20      |
| Max. ambient temperature | °C                 | 70       |
| Air flow                 | m <sup>3</sup> /h  | 354      |
| Sound power level        | B                  | 7.4      |

ml = Max. load · me = Max. efficiency · fa = Free air · cs = Customer specification · ce = Customer equipment  
Subject to change

## Technical description

|  |   |
|--|---|
| <b>General description</b>                     | 3-phase fan drive with<br>very smooth operation and high efficiency<br>Backward-curved impeller |
| <b>Impeller material</b>                       | Glass-fiber reinforced plastic  |
| <b>Weight</b>                                  | 0.590 kg  |
| <b>Dimensions</b>                              | Ø 165 x 51 mm   |
| <b>Airflow direction</b>                       | Axial: intake<br>radial: discharge  |
| <b>Direction of rotation</b>                   | Clockwise, viewed toward rotor  |
| <b>Storage</b>                                 | Ball bearing  |
| <b>Service life L10 at 40 °C</b>               | 55000 h   |
| <b>Service life L10 at maximum temperature</b> | 27500 h   |
| <b>Cable</b>                                   | With leads AWG 22, TR 64  |
| <b>Approval</b>                                | VDE, CSA, UL, CE  |
| <b>Option</b>                                  | Special versions available on request.<br>TURBOFAN  |

## Product drawing



## Curves

