



Nominal data

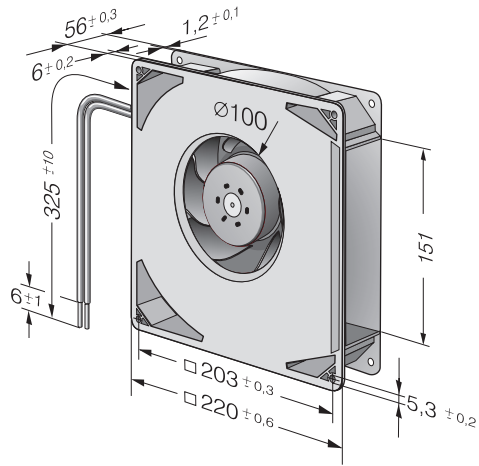
Type	RG 160-28/18 NTDI	
Nominal voltage	VDC	48
Nominal voltage range	VDC	38 .. 57
Speed (rpm)	min ⁻¹	4200
Power consumption	W	59.0
Min. ambient temperature	°C	-20
Max. ambient temperature	°C	70
Air flow	m ³ /h	308
Sound power level	B	7.5

ml = Max. load · me = Max. efficiency · fa = Free air · cs = Customer specification · ce = Customer equipment
Subject to change

Technical description

General description	3-phase fan drive with very smooth operation Backward-curved impeller
Housing material	Scroll housing made of glass-fiber reinforced plastic, housing base made of sheet steel
Weight	1.400 kg
Dimensions	220 x 220 x 56 mm
Impeller material	Glass-fiber reinforced plastic
Airflow direction	Radial, discharge through window in housing
Storage	Ball bearing
Service life L10 at 40 °C	55000 h
Service life L10 at maximum temperature	27500 h
Cable	Flat plug 6.3 x 0.8 mm for protective earth
Approval	VDE, CSA, UL, CE

Product drawing



Curves

