

1 General

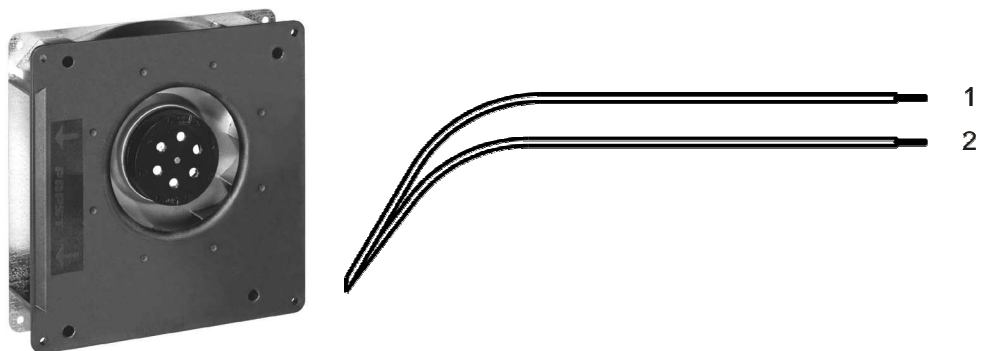
Fan type	Blower
Rotating direction looking at rotor	Clockwise
Airflow direction	Air in axially, Air out radially
Bearing system	Ball bearing
Mounting position - shaft	Any
Balancing grade	6,3

2 Mechanics**2.1 General**

Width	180,0 mm	
Height	180,0 mm	
Depth	40,0 mm	
Diameter	0,0 mm	
Mass	0,850 kg	
Housing material	Plastic	
Impeller material	Mixed	
Max. torque when mounted across both mounting flanges; Metal flange on mounting plate Screw size	Wire outlet corner: 70 Ncm Remaining corners: 70 Ncm ISO 4762 - M4 degreased, without an additional brace and without washer	

2.2 Connections

Electrical connection	Wires	
Lead wire length	L = 310,0 mm	
Tolerance	+/- 10,0 mm	
Tube length	S = 270,0 mm	
Tolerance	+/- 10,0 mm	
Wire size (AWG)	22	
Insulation diameter	1,09 mm	
Plug	See drawing	
Contact	See drawing	



	Color	Operation
1	blue	L
2	blue	N

3 Operating Data

3.1 Electrical Operating Data

Measurement conditions: Normal air density = 1,2 kg/m³; Temperature 23°C +/- 3°C; Motor axis horizontal; warm-up time before measuring 5 minutes (unless otherwise specified).
In the intake and outlet area should not be any solid obstruction within 0,5 m.

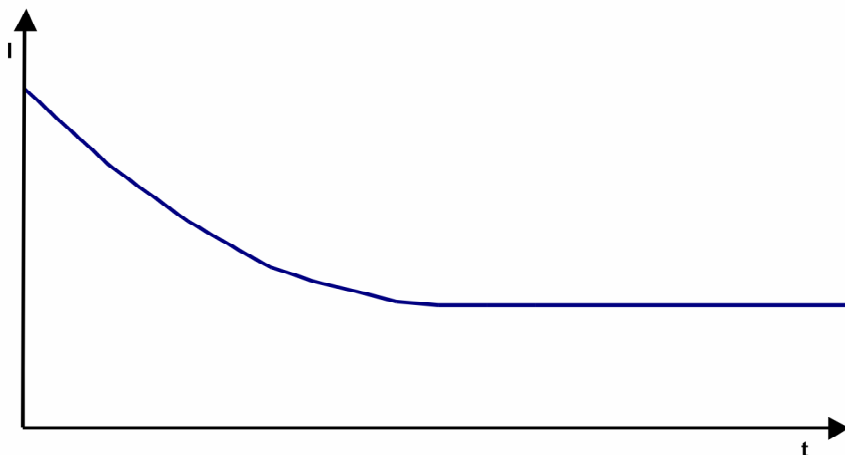
$\Delta p = 0$: corresp. to free air flow (see chapter aerodynamics)

I: corresp. to RMS line current

Features	Condition	Symbol	Values	
Frequency	$\Delta p = 0$	f	50 Hz	60 Hz
Nominal voltage Tolerance	$\Delta p = 0$	U_N	115 V +/- 10 %	115 V +/- 10 %
Power consumption Tolerance	$\Delta p = 0$	P	20 W + 5 % - 10 %	19 W + 5 % - 10 %
Speed Tolerance	$\Delta p = 0$	n	2.550 1/min +/- 3 %	2.750 1/min +/- 3 %

3.2 Electrical Features

Locked rotor protection	Impedance
Locked rotor current at	



3.3 Aerodynamics

Measurement conditions: Measured with a double chamber intake rig acc. to DIN EN ISO 5801. Normal air density = 1,2 kg/m³; Temperature 23°C +/- 3°C; In the intake and outlet area should not be any solid obstruction within 0,5 m. Motor shaft horizontal.
The information is only valid under the specified test conditions and may be changed by the installation conditions. If there are deviations from the standard test conditions, the characteristic values must be checked under the installed conditions.

a.) Operation condition:
2.550 1/min at free air flow Frequency: 50 Hz

Max. free-air flow ($\Delta p = 0 / \dot{V} = \text{max.}$)	80,0 m ³ /h
Max. static pressure ($\Delta p = \text{max.} / \dot{V} = 0$)	150 Pa

b.) Operation condition:
2.750 1/min at free air flow Frequency: 60 Hz

Max. free-air flow ($\Delta p = 0 / \dot{V} = \text{max.}$)	85,0 m ³ /h
Max. static pressure ($\Delta p = \text{max.} / \dot{V} = 0$)	210 Pa

3.4 Sound Data

Measurement conditions: Sound pressure level: 1 meter distance between microphone and the air intake.
 Sound power level: Acc. to DIN 45635 part 38 (ISO 10302) Sound power level: Acc. to DIN 45635 part 38 (ISO 10302)
 Measured in a semianchoic chamber with a background noise level of $L_p(A) < 5 \text{ dB}(A)$
 For further measurement conditions see chapter aerodynamics.

a.) Operation condition:
 2.550 1/min at free air flow Frequency: 50 Hz

Optimal operating point	12,0 m ³ /h @ 122 Pa	
Sound power level at the optimal operating point	5,5 bel(A)	
Sound pressure level at free air flow, measured in rubber bands		

b.) Operation condition:
 2.750 1/min at free air flow Frequency: 60 Hz

Optimal operating point	14,0 m ³ /h @ 162 Pa	
Sound power level at the optimal operating point	6,0 bel(A)	
Sound pressure level at free air flow, measured in rubber bands		

4 Environment

4.1 General

Min. permitted ambient temperature TU min.	-30 °C / 50 Hz -30 °C / 60 Hz	
Max. permitted ambient temperature TU max.	70 °C / 50 Hz 80 °C / 60 Hz	
Min. permitted storage temperature TL min.	-40 °C	
Max. permitted storage temperature TL max.	80 °C	

4.2 Climatic Requirements *)

Humidity requirements	humid heat, cyclic; according to DIN EN 60068-2-30, 6 cycle	
Water exposure	None	
Dust requirements	Dust check; according to DIN EN 60068-2-68, 6g/m ² d, 1 day	
Salt fog requirements	None	

Permitted application area:

The product is for the use in sheltered rooms with limited controlled temperature. Occasionally condensed water is allowed. Direct exposure to water must be avoided. Saline ambient conditions must be avoided.

Pollution degree 2 (according DIN EN 60664-1)

It occurs only non-conductive pollution. Occassionally, temporary conductivity caused by condensation occurs.

5 Safety

5.1 Electrical Safety

Dielectric strength DIN EN 60950 (VDE 0805) and DIN EN 60335 (VDE 0700) A.) Type test Measuring conditions: After 48h of storage at 95% R.H. and 25°C. No arcing or breakdown is allowed! All connections together to ground. B.) Routine test Measuring conditions: At indoor climate. No arcing or breakdown is allowed! All connections together to ground.	1000 VAC / 1 Min. 1500 VAC / 1 Sec.
Isolation resistance Measuring conditions: After 48h of storage at 95% R.H. and 25°C measured with U=500 VDC for 1 min.	RI > 50 MOhm
Clearance / creepage distance	2,0 mm / 1,1 mm
Protection class	I

5.2 Approval Tests

CE	EC Declaration of Conformity	Yes
EAC	Eurasian Conformity	Yes
UL	Underwriters Laboratories	Yes / UL507, Electric Fans
VDE	Association for Electrical, Electronic and Information Technologies	Yes / Approval acc. to EN 60950 (VDE 0805) - Information technology equipment
CSA	Canadian Standards Association	Yes / C22.2 No. 113 Fans and Ventilators
CCC	China Compulsory Certification	Yes / GB 12350 Safety Requirements for small Power Motors

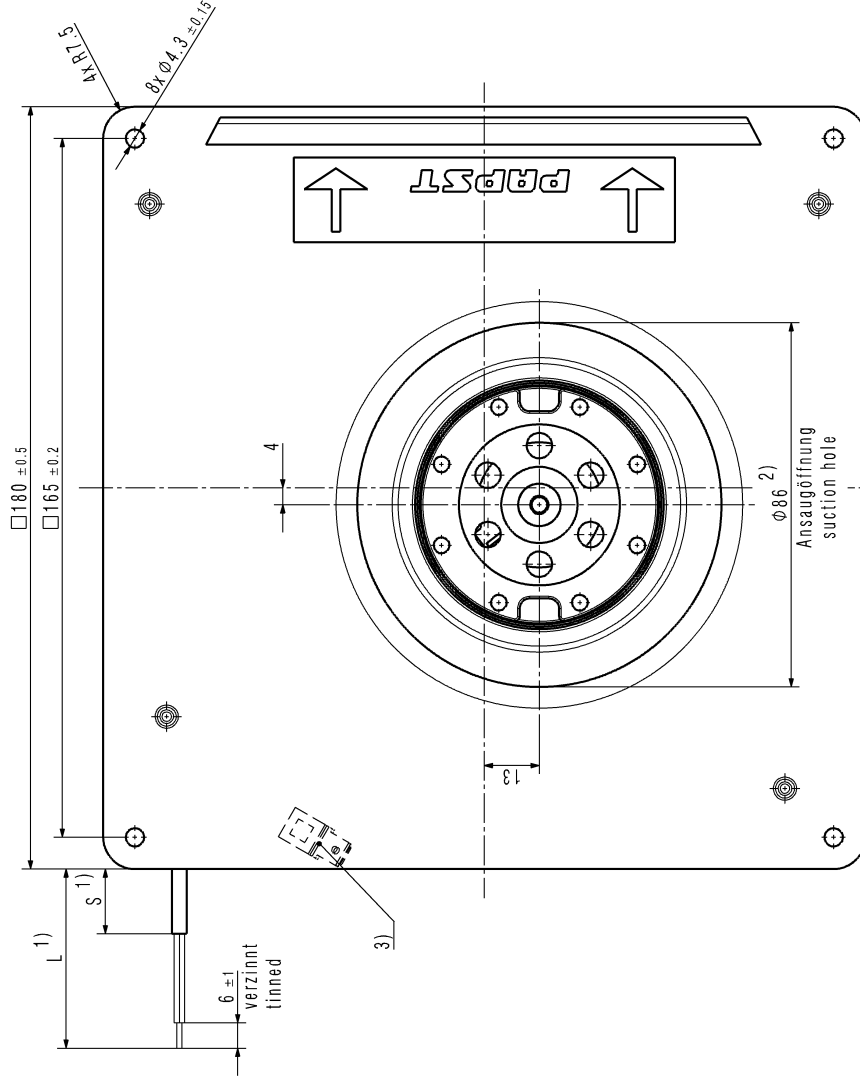
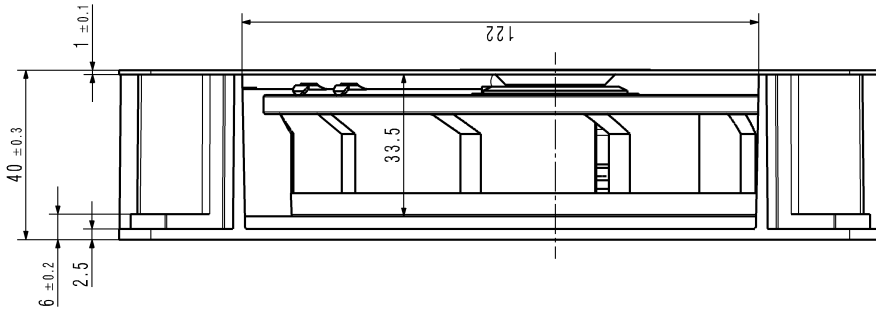
The approval tests are observed to:

U approval max.: 115 V / f: 60 Hz @ TU approval max.: 80 °C

6 Reliability

6.1 General

Life expectancy L10 at TU = 40 °C	37.500 h / 50 Hz 40.000 h / 60 Hz	
Life expectancy L10 at TU max.	20.000 h / 50 Hz 15.000 h / 60 Hz	



Copying of this document, and giving it others and the use or communication of the contents thereof, are forbidden without express authority. Offenders are liable to the payment of damages. All rights are reserved.

Schutzwerk nach DIN ISO 150 16018
 Refer to production order DIN ISO 16018

1) Anzahl und Länge der Litzen sowie Länge des Schlauchs siehe Produktspezifikation.

2) Öffnung für Montagewand ≥ 100 mm

3) Flachstecker 6,3 x 0,8 für Schutzleiter
 - Axialspiel mit Feder spielfrei verspannt.

1) number and length of wires and length of tube see design specification

2) opening for mounting plate ≥ 100 mm

3) flat pin 6,3 x 0,8 for ground wire
 - without axial clearance by a preloaded spring

3M-Sonderseite Sonder-Nr./ change No.	CAD-System DATA SYSTEM-VERSION	CAD-Datenbank CAD-DATENBANK	Werkstoff / Material:	Volumen / Volume (cm ³):	Gewicht / Mass (g):
Toleranzung / Tolerances:	3D-Referenzmodell / 3D-Referenzmodell		Name	AP11463 / T1147:	Eckr. / Zählp. / Regelwert:
	Bezugs- Stapel / Checked	Datum			
Abgleichsbezeichnung / den. Tolerances:	3D-Referenzmodell / 3D-Referenzmodell		Name	AP11463 / T1147:	Eckr. / Zählp. / Regelwert:
Abgleichsbezeichnung / den. Tolerances:	Bezugs- Stapel / Checked	Datum			
			ebmpapst ebmpapst SE Georgsmündener Str. 4/3		Dokumenttyp / Type of Document
			Zeichnung / Drawing	Maßstab / Scale	