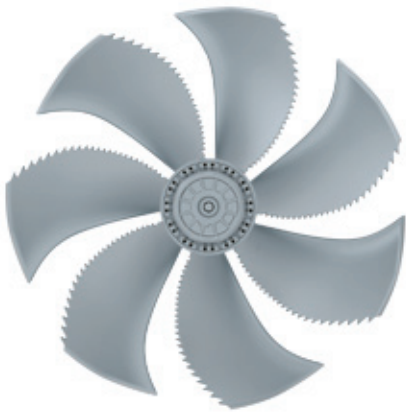


# FE2owlet

for single phase alternating current, 6 pole

FN063-6E



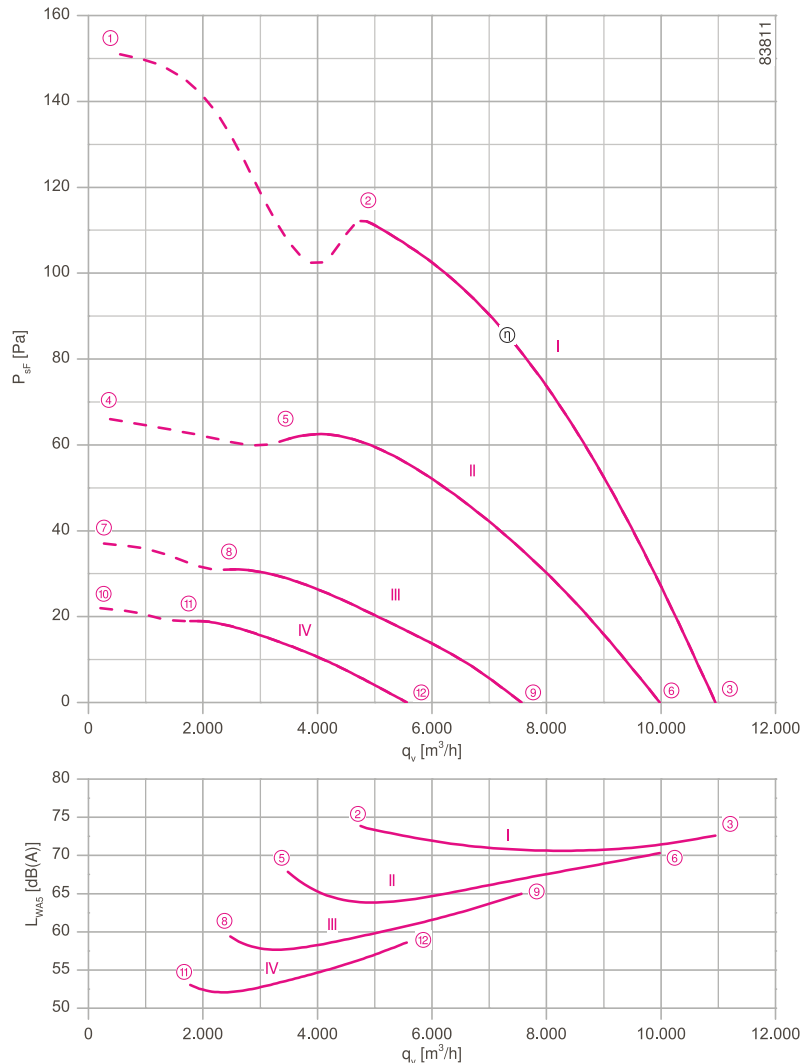
## Description

Motor technology: AC  
 Rated voltage  $U_N$ : 1~ 230 V\*  
 Rated frequency  $f_N$ : 50 Hz\*  
 Motor input power  $P_1$ : 0.68 kW\*  
 Rated current  $I_N$ : 3.10 A\*  
 Rated speed  $n_N$ : 870 min<sup>-1</sup>\*  
 Starting current  $I_A$ : 5.50 A  
 Current increase  $\Delta I$ : 5 %  
 Service capacitor  $C_{400V}$ : 12.0  $\mu$ F  
 Thermal class: **THCL155**\*  
 Min. permitted conveyor temperature  $t_{R(min)}$ : -25 °C  
 Max. permitted conveyor temperature  $t_{R(max)}$ : 70 °C  
 Electrical connection: Terminal box  
 Number of blades: 7  
 Protection class: IP54  
 Motor protection: Thermal contact  
 Blades: Aluminium, uncoated  
 Rotor: Aluminium, uncoated  
 Conformity: ErP 2013, CE  
**ErP Data**  
 Efficiency  $\eta_{statA}$ : 28.5 %  
 Efficiency:  $N_{actual} = 36.1 / N_{target} = 36$ \*\*  
 \* Rated data  
 \*\*ErP 2013

➤ Connection diagrams Page 608  
 for airflow direction V 1360-104XA  
 for airflow direction A 1360-104XB

➤ System components Page 524

## Characteristic curve

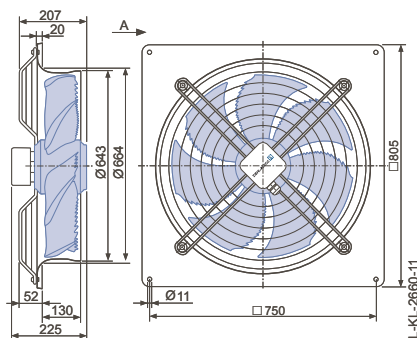


Measured in full bell mouth without guard grille in installation type A according to ISO 5801.

## Dimensions [mm]

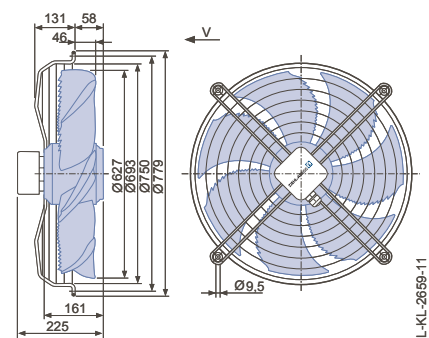
Airflow direction A

Design Q - square, full bell mouth



Airflow direction V

Design K - axial bolted, mounted for short bell mouth E

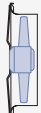

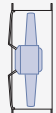
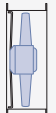
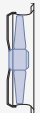


Performance data

Type	Characteristic curve	Voltage	Operating point	Current	Motor input power	Speed	Suction side sound power level
		U [V]		I [A]	P <sub>1</sub> [W]	n [min <sup>-1</sup> ]	
FN063-6E_.4I_.7P1	I	230	①	3.70	820	780	74
		230*	②	3.10*	680*	870*	
		230	③	2.30	500	930	
	II	170	④	3.40	520	510	73
		170	⑤	3.20	500	650	
		170	⑥	2.40	390	840	
	III	135	⑦	2.80	340	370	68
		135	⑧	2.80	330	450	
		135	⑨	2.50	310	640	
	IV	110	⑩	2.30	230	290	59
		110	⑪	2.30	220	340	
		110	⑫	2.20	220	470	

\*rated data

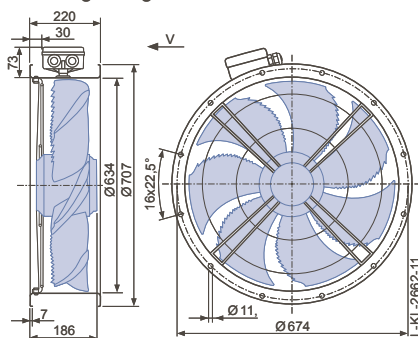
Fan ordering information

Design	Airflow direction A		Airflow direction V		
	Q	K	F (without contact protection)	F (with contact protection)	Q
					
Type	FN063-6EQ.4I.A7P1	FN063-6EK.4I.V7P1	FN063-6EF.4I.V7P1	FN063-6EF.4I.V7P1	FN063-6EQ.4I.V7P1
Article no.	141723	141725	141727	141728	141726
Weight [kg]	24.50	15.40	19.90	20.80	23.90

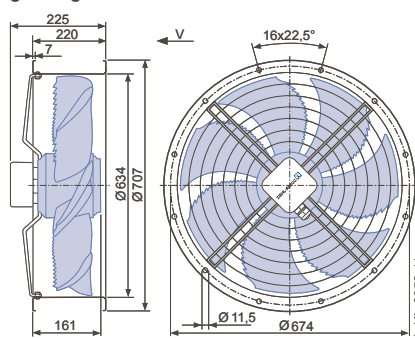
Control technology

<p>Frequency inverter Fcontrol 1~</p>  <p>▶ Page 552</p>	<p>Motor protection units 1~</p>  <p>▶ Page 596</p>	<p>Transformer-based controllers 1~</p>  <p>▶ Page 587</p>	<p>Electronic voltage controllers 1~</p>  <p>▶ Page 562</p>
---	--	---	---

Design F - flange ring with two flanges without guard grille



Design F - flange ring with two flanges and guard grille



Design Q - square, full bell mouth

