

FE2owlet

for single phase alternating current, 4 pole

FNO45-4E



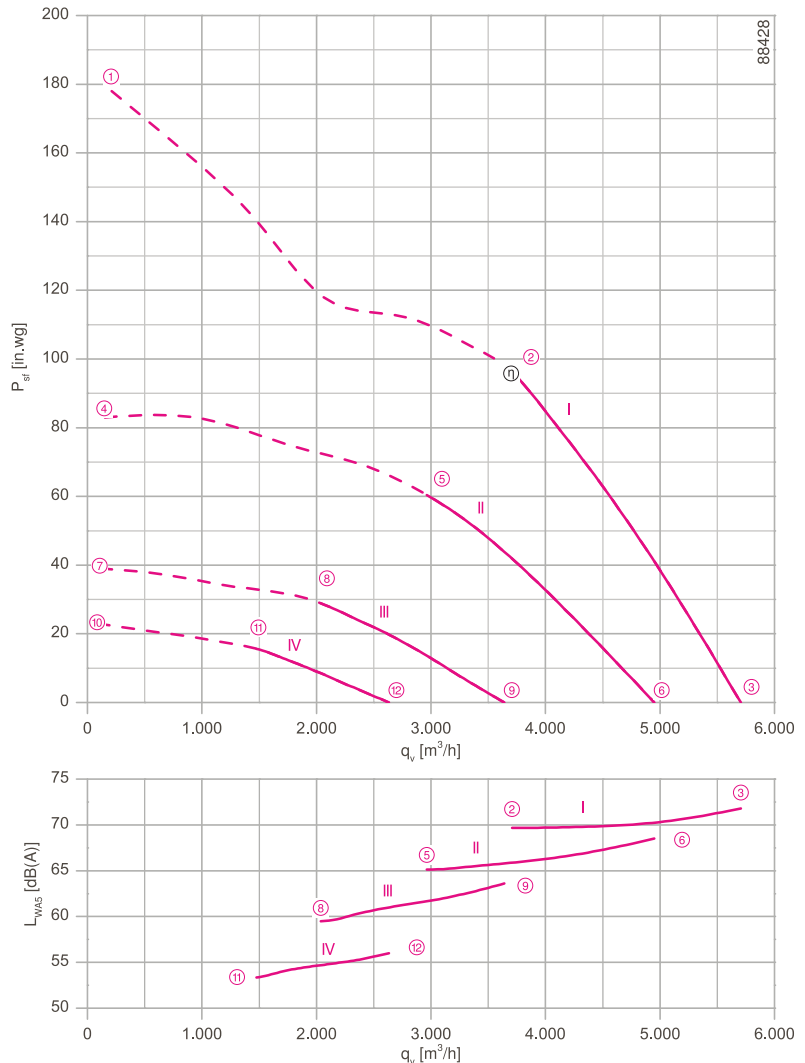
Description

Motor technology: AC
 Rated voltage U_N : 1~ 230 V \pm 10 %*
 Rated frequency f_N : 50 Hz*
 Motor input power P_1 : 0.39 kW*
 Rated current I_N : 1.75 A*
 Rated speed n_N : 1290 min⁻¹*
 Starting current I_s : 3.60 A
 Current increase ΔI : 10 %
 Service capacitor C_{400V} : 7.0 μ F
 Thermal class: **THCL155***
 Min. permitted conveyor temperature $t_{R(min)}$: -25 °C
 Max. permitted conveyor temperature $t_{R(max)}$: 55 °C
 Electrical connection: Terminal box
 Number of blades: 7
 Protection class: IP44
 Motor protection: Thermal contact
 Blades: High Performance Composite Material, uncoated, black
 Rotor: Aluminium, 1 coat paint, black
 Conformity: ErP 2013, CE
ErP Data
 Efficiency η_{statA} : 27.3 %
 Efficiency: $N_{actual} = 36.2 / N_{target} = 36^{**}$
 * Rated data
 **ErP 2013

➤ Connection diagrams Page 608
 for airflow direction V 1360-104XA
 for airflow direction A 1360-104XB

➤ System components Page 524

Characteristic curve

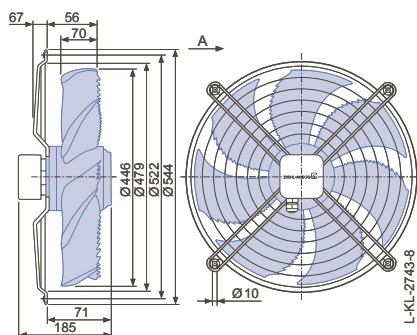


Measured in full bell mouth without guard grille in installation type A according to ISO 5801.

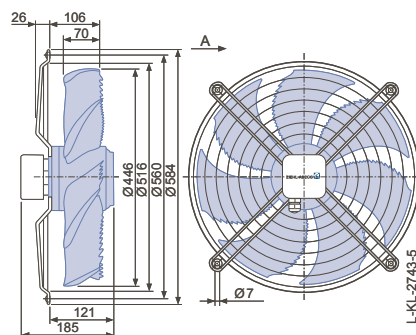
Dimensions [mm]

Airflow direction A

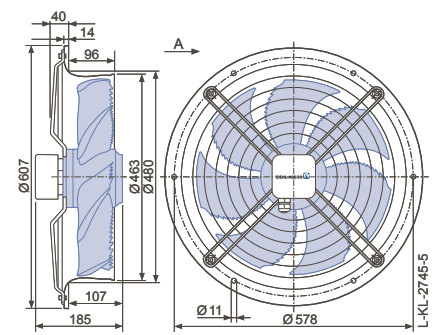
Design W - axial bolted, mounting for short bell mouth E



Design D - axial bolted, suspension for full bell mouth Q and L



Design L - round, full bell mouth









Performance data

Type	Characteristic curve	Voltage	Operating point	Current	Motor input power	Speed	Suction side sound power level
		U [V]		I [A]	P ₁ [W]	n [min ⁻¹]	
FN045-4E_2F_7P2	I	230	①	2.10	480	1180	
		230*	②	1.75*	390*	1290*	70
		230	③	1.50	330	1340	72
	II	170	④	2.20	360	810	
		170	⑤	1.90	320	1030	65
		170	⑥	1.60	270	1170	69
	III	135	⑦	1.85	240	560	
		135	⑧	1.75	230	710	60
		135	⑨	1.65	220	870	64
	IV	110	⑩	1.55	160	430	
		110	⑪	1.55	160	530	53
		110	⑫	1.50	160	630	56

*rated data

Fan ordering information

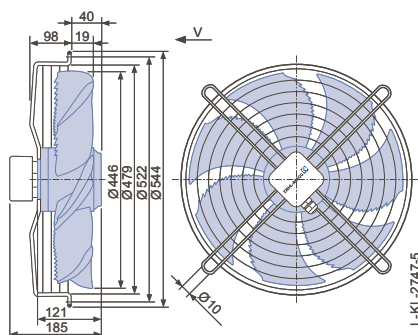
Design	Airflow direction A			Airflow direction V		
	W	D	L	K	H	I
						
Type	FN045-4EW.2F.A7P2	FN045-4ED.2F.A7P2	FN045-4EL.2F.A7P2	FN045-4EK.2F.V7P2	FN045-4EH.2F.V7P2	FN045-4EI.2F.V7P2
Article no.	141711	141709	141710	141715	141714	141713
Weight [kg]	6.30	6.10	9.50	6.60	9.50	6.10

Control technology

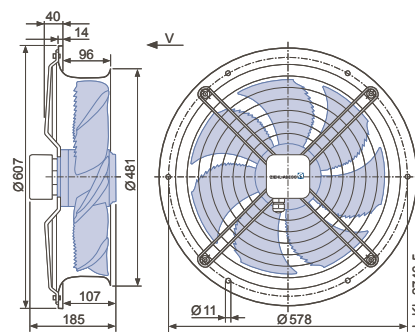
<p>Frequency inverter Fcontrol 1~</p>  <p>Page 552</p>	<p>Motor protection units 1~</p>  <p>Page 596</p>	<p>Transformer-based controllers 1~</p>  <p>Page 587</p>	<p>Electronic voltage controllers 1~</p>  <p>Page 562</p>
---	--	---	---

Airflow direction V

Design K - axial bolted, mounted for short bell mouth E



Design H - pipe sockets with a flange



Design I - axial bolted, mounting for bell mouth flange for pipe socket H or full bell mouth Q or L

