

FE2owlet

for three phase alternating current, 4-4 pole

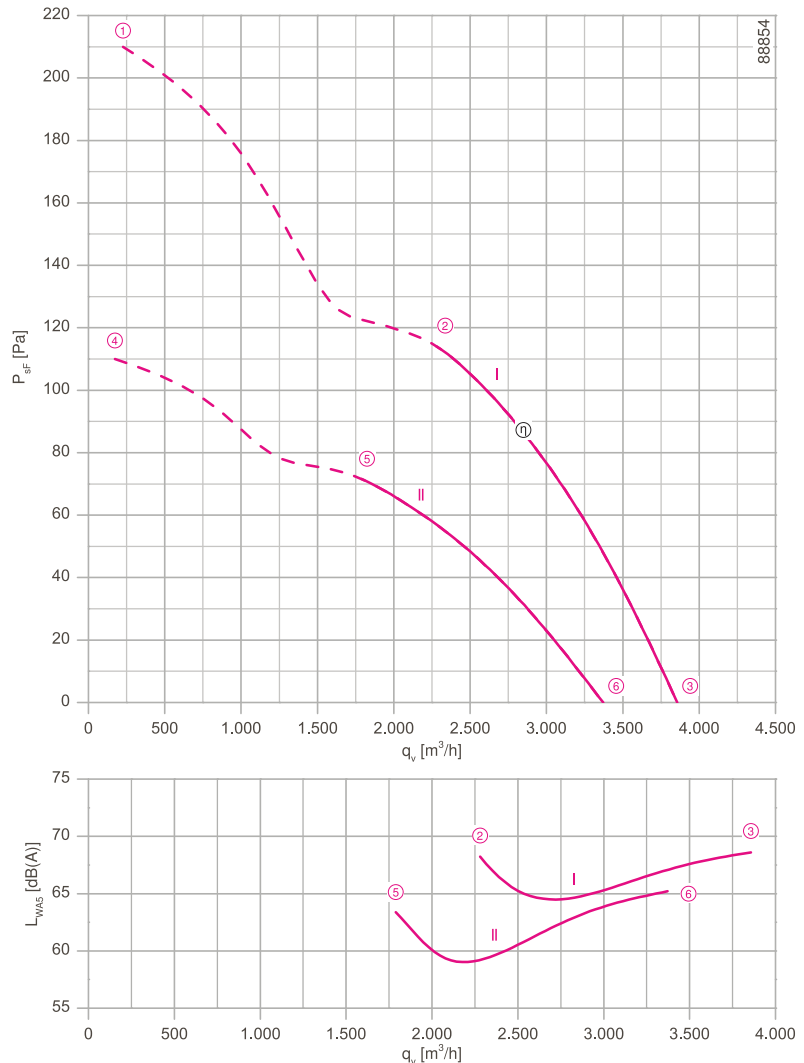
FNO40-VD



Description

Motor technology: AC
 Rated voltage U_N : 3- 400 V (Δ/Y) ± 10 %*
 Rated frequency f_N : 50 Hz* (60Hz data available)
 Motor input power P_1 : 0.23/0.17 kW*
 Rated current I_N : 0.46/0.27 A*
 Rated speed n_N : 1360/1080 min⁻¹*
 Starting current I_s : 1.60 A / 0.55 A
 Current increase ΔI : 0 %
 Thermal class: THCL155*
 Min. permitted conveyor temperature $t_{R(min)}$: -40 °C
 Max. permitted conveyor temperature $t_{R(max)}$: 70 °C
 Electrical connection: Terminal box
 Number of blades: 7
 Protection class: IP54
 Motor protection: Thermal contact
 Blades: High Performance Composite Material, uncoated, black
 Rotor: Aluminium, 1 coat paint, black
 Conformity: ErP 2015, CE
ErP Data
 Efficiency η_{statA} : 32.4 %
 Efficiency: $N_{actual} = 42.7 / N_{target} = 40$ **
 * Rated data
 **ErP 2015

Characteristic curve



Measured in full bell mouth without guard grille in installation type A according to ISO 5801.

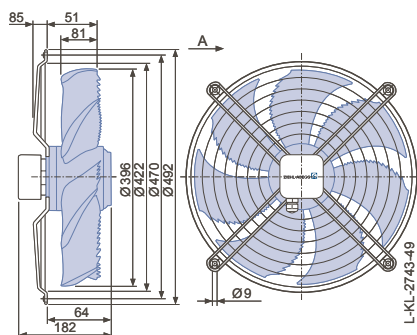
➤ Connection diagrams Page 608
 for airflow direction V 1360-108XA
 for airflow direction A 1360-108XB

➤ System components Page 524

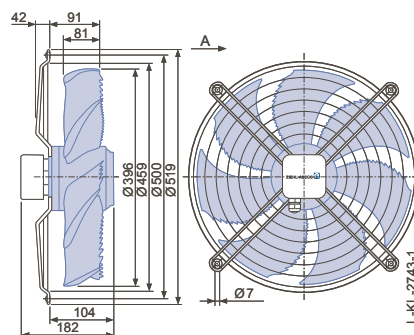
Dimensions [mm]

Airflow direction A

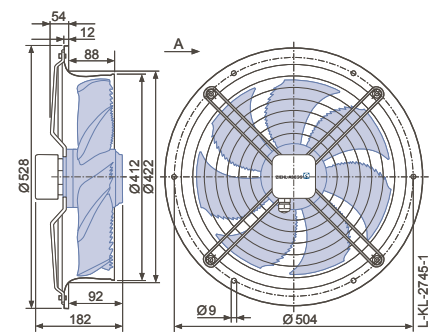
Design W - axial bolted, mounting for short bell mouth E



Design D - axial bolted, suspension for full bell mouth Q and L



Design L - round, full bell mouth









Performance data

Type	Connection	Characteristic curve	Voltage	Operating point	Current	Motor input power	Speed	Suction side sound power level
			U [V]					
FN040-VD_OF_7P1	Δ	I	400	①	0.54	300	1310	
			400*	②	0.46*	230*	1360*	69
			400	③	0.40	170	1410	69
	Y	II	400	④	0.31	200	950	
			400*	⑤	0.27*	170*	1080*	64
			400	⑥	0.21	130	1230	65

*rated data

Fan ordering information

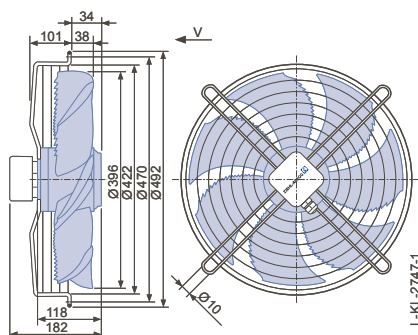
Design	Airflow direction A			Airflow direction V		
	W	D	L	K	H	I
						
Type	FN040-VDW.OF.A7P1	FN040-VDD.OF.A7P1	FN040-VDL.OF.A7P1	FN040-VDK.OF.V7P1	FN040-VDH.OF.V7P1	FN040-VDI.OF.V7P1
Article no.	156642	152902	152903	152907	152906	152905
Weight [kg]	5.60	5.10	7.80	5.50	7.80	5.10

Control technology

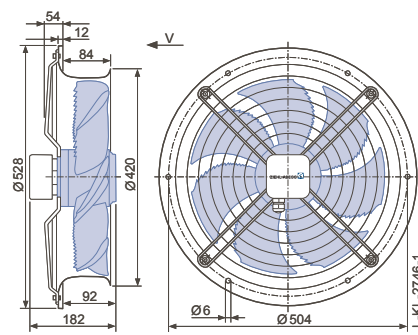
<p>Frequency inverter Fcontrol 3~</p>  <p>➤ Page 558</p>	<p>Motor protection units 3~</p>  <p>➤ Page 596</p>	<p>Transformer-based controllers 3~</p>  <p>➤ Page 591</p>	<p>Electronic voltage controllers 3~</p>  <p>➤ Page 578</p>
--	---	--	---

Airflow direction V

Design K - axial bolted, mounted for short bell mouth E



Design H - pipe sockets with a flange



Design I - axial bolted, mounting for bell mouth flange for pipe socket H or full bell mouth Q or L

