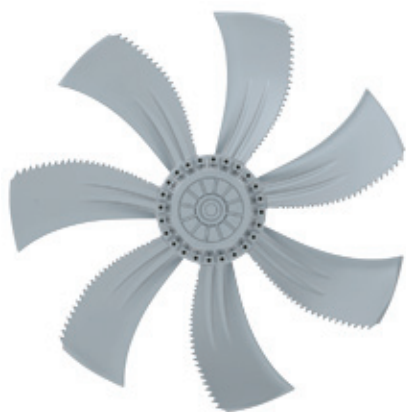


FE2owlet

for three phase alternating current, 4-4 pole

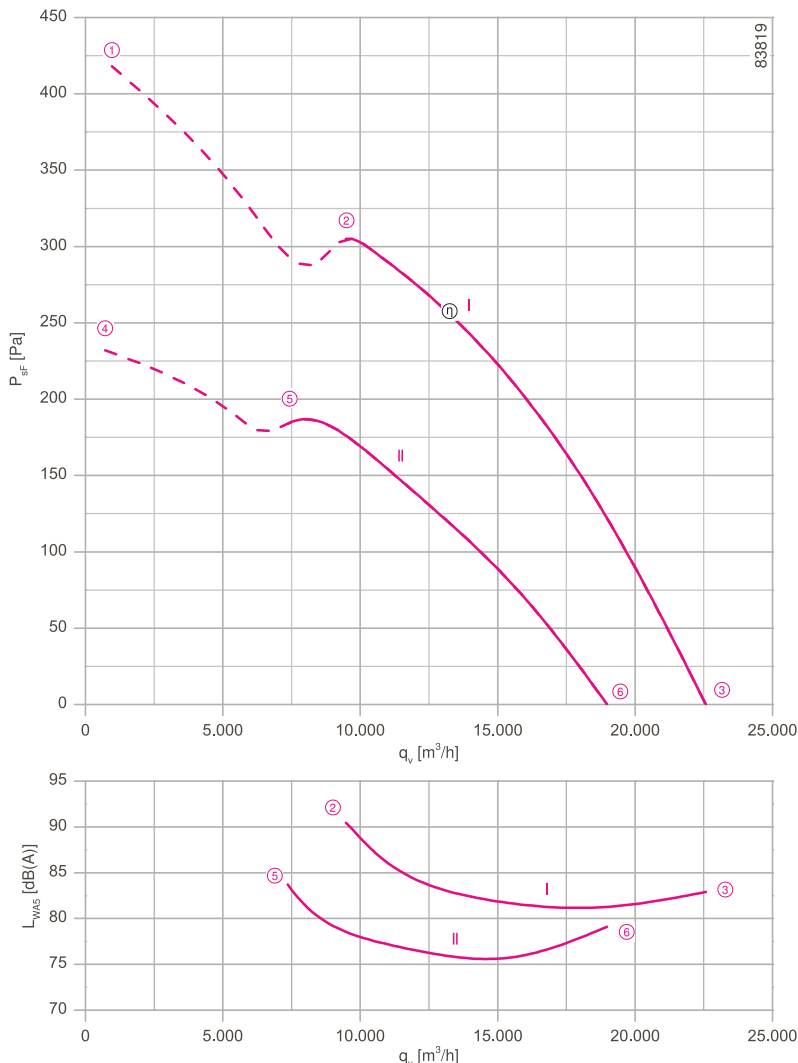
FNO71-VD



Description

Motor technology: AC
 Rated voltage U_N : 3- 400 V (Δ/Y) ± 10 %*
 Rated frequency f_N : 50 Hz*
 Motor input power P_1 : 2.60/1.70 kW*
 Rated current I_N : 4.80/2.90 A*
 Rated speed n_N : 1330/1050 min⁻¹*
 Starting current I_s : 20.00 A / 6.50 A
 Current increase ΔI : 5 %
 Thermal class: **THCL155***
 Min. permitted conveyor temperature $t_{R(min)}$: -40 °C
 Max. permitted conveyor temperature $t_{R(max)}$: 60 °C
 Electrical connection: Terminal box
 Number of blades: 7
 Protection class: IP54
 Motor protection: Thermal contact
 Blades: Aluminium, uncoated
 Rotor: Aluminium, uncoated
 Conformity: ErP 2015, CE
ErP Data
 Efficiency η_{statA} : 37.9 %
 Efficiency: $N_{actual} = 41.7 / N_{target} = 40$ **
 * Rated data
 **ErP 2015

Characteristic curve



Measured in full bell mouth without guard grille in installation type A according to ISO 5801.

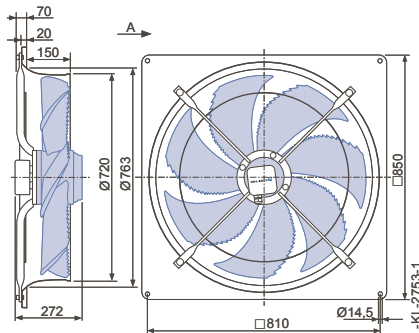
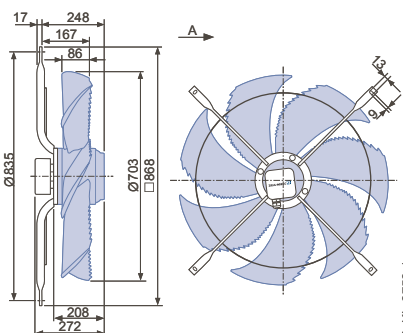
- Connection diagrams Page 608
 - for airflow direction V 1360-108XA
 - for airflow direction A 1360-108XB
- System components Page 524

Dimensions [mm]

Airflow direction A

Design D - axial bolted, suspension for full bell mouth Q and L

Design Q - square, full bell mouth








Performance data

Type	Connection	Characteristic curve	Voltage	Operating point	Current	Motor input power	Speed	Suction side sound power level
			U [V]					
FN071-VD_6N_7P2	Δ	I	400	①	5.60	3100	1290	
			400*	②	4.80*	2600*	1330*	91
			400	③	3.90	1900	1390	83
	Y	II	400	④	3.20	1900	960	
			400*	⑤	2.90*	1700*	1050*	84
			400	⑥	2.30	1400	1170	79

*rated data

Fan ordering information

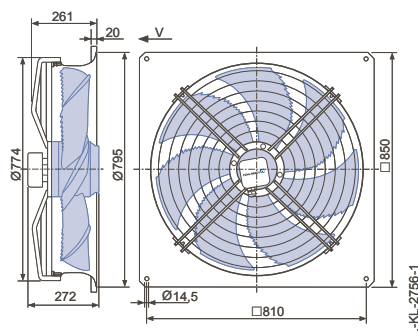
Airflow direction A		Airflow direction V			
Design	D	Q	Q	S	I
					
Type	FN071-VDD.6N.A7P2	FN071-VDQ.6N.A7P2	FN071-VDQ.6N.V7P2	FN071-VDS.6N.V7P2	FN071-VDI.6N.V7P2
Article no.	141760	141761	141777	141782	155556
Weight [kg]	25.90	36.90	39.60	28.90	29.10

Control technology

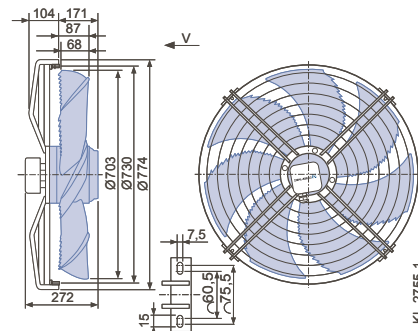
<p>Frequency inverter Fcontrol 3~</p>  <p>➤ Page 558</p>	<p>Motor protection units 3~</p>  <p>➤ Page 596</p>	<p>Transformer-based controllers 3~</p>  <p>➤ Page 591</p>	<p>Electronic voltage controllers 3~</p>  <p>➤ Page 578</p>
--	---	--	---

Airflow direction V

Design Q - square, full bell mouth



Design S - radially bolted, mounting for full bell mouth Q and L



Design I - axial bolted, mounting for bell mouth flange for pipe socket H or full bell mouth Q or L

