

FE2owlet-ECblue

for three phase alternating current, 380-480 V

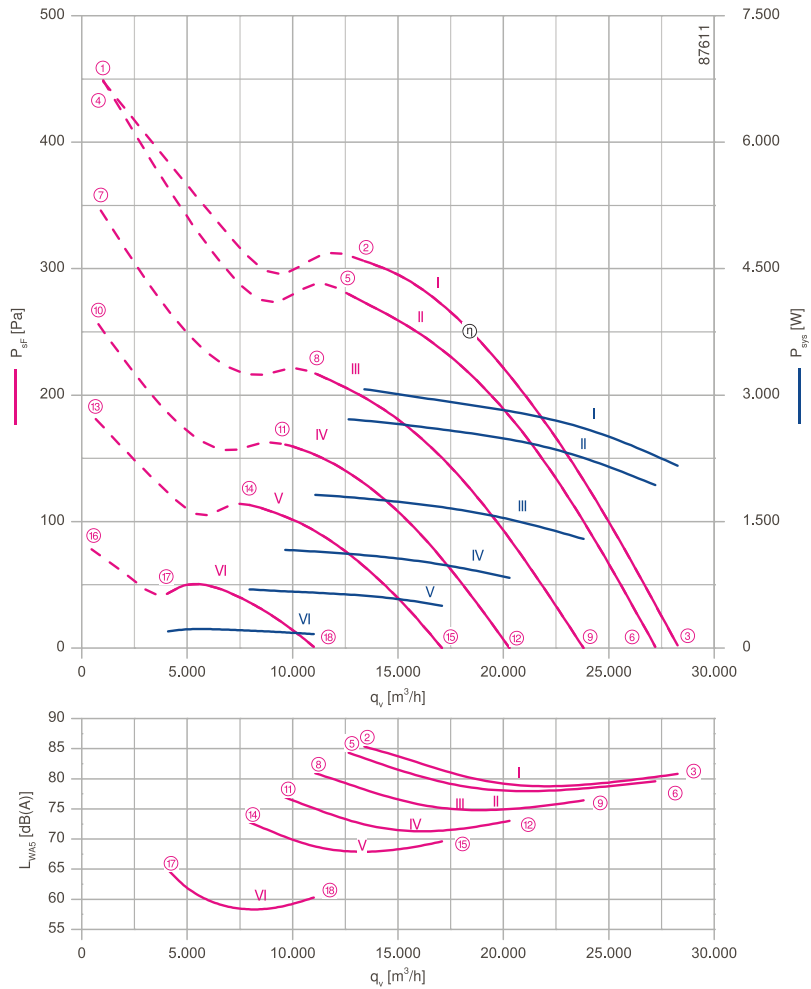
FN080



Description

Motor technology: EC
 Rated voltage U: **3~ 380-480 V***
 Rated frequency f: **50/60 Hz***
 Motor input power P_{sys} : **3.10 kW***
 Rated current I: **4.80- 3.80 A***
 Rated speed n_{max} : **1100 min⁻¹***
 Thermal class: **THCL155***
 Min. permitted conveyor temperature $t_{R(min)}$: **-35 °C**
 Max. permitted conveyor temperature $t_{R(max)}$: **55 °C**
 Electrical connection: integrated Controller
 Number of blades: 7
 Protection class: IP54
 Motor protection: Integrated active temperature management
 Blades: Aluminium, uncoated
 Rotor: Steel, 2 coat paint, Ultramarine blue
 Conformity: ErP 2015, CE, UL
ErP Data
 Efficiency η_{statA} : 46.4 %
 Efficiency: $N_{actual} = 49.9 / N_{target} = 40^{**}$
 EC controller integrated
 * Rated data
 **ErP 2015

Characteristic curve



Measured in full bell mouth without guard grille in installation type A according to ISO 5801.

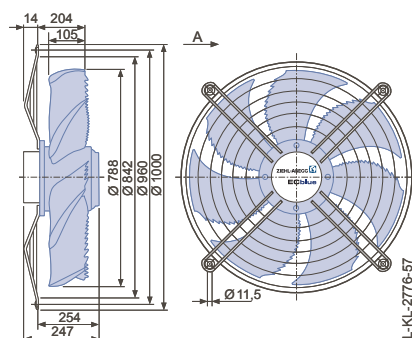
➤ Connection diagram 1360-401 Page 607

➤ System components Page 524

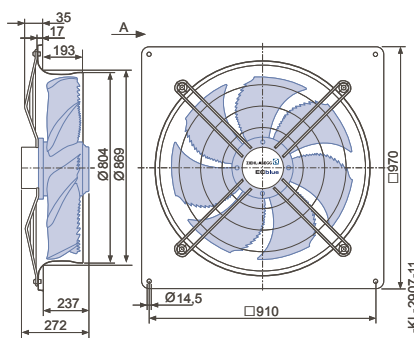
Dimensions [mm]

Airflow direction A

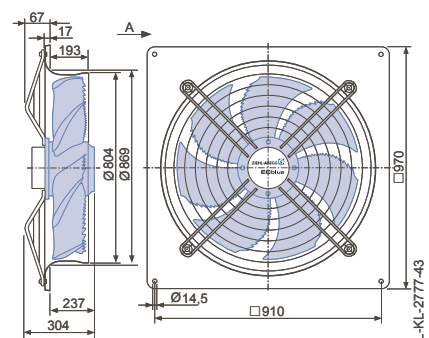
Design D - axial bolted, suspension for full bell mouth Q and L without contact protection



Design Q full bell mouth, square without guard grill



Design Q full bell mouth, square with contact protection




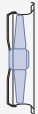




Performance data

Type	Characteristic curve	Speed	Operating point	Current	Motor input power	Suction side sound power level	Max. permitted media temperature
		n [min ⁻¹]		I [A]	P _{sys} [W]	L _{WAS} [dB]	
FN080-ZL_GL_7P3	I	1100	①	5.60	3700		55
		1100	②	4.60	3100	86	
		1100	③	3.30	2200	81	
	II	1060	④	5.60	3700		60
		1060	⑤	4.20	2700	84	
		1060	⑥	2.90	1950	80	
	III	930	⑦	3.80	2500		
		930	⑧	2.80	1800	81	
		930	⑨	2.00	1300	76	
	IV	800	⑩	2.40	1600		
		800	⑪	1.80	1150	77	
		800	⑫	1.35	840	73	
	V	670	⑬	1.50	940		
		670	⑭	1.15	680	73	
		670	⑮	0.90	500	70	
	VI	440	⑯	0.64	280		
		440	⑰	0.52	220	61	
		440	⑱	0.44	160	60	

Current values determined at 400V

Fan ordering information

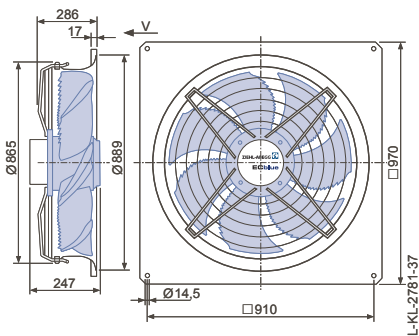
Design	Airflow direction A			Airflow direction V		
	D (without contact protection)	Q (without contact protection)	Q (with contact protection)	Q	S	I
						
Type	FN080-ZID.GL.A7P3	FN080-ZIQ.GL.A7P3	FN080-ZIQ.GL.A7P3	FN080-ZIQ.GL.V7P3	FN080-ZIS.GL.V7P3	FN080-ZII.GL.V7P3
Basic electronics						
Article no.	154807	154811	154815	154946	154934	154942
Premium electronics						
Article no.	154808	154812	154816	154947	154935	154943
Weight [kg]	35.30	50.10	53.90	51.90	37.50	36.80

Control technology

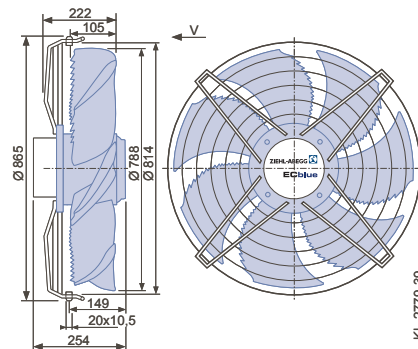
Control module	Operating terminal	Expansion module
		
➤ Page 540	➤ Page 551	➤ Page 550

Airflow direction V

Design Q - square, full bell mouth



Design S - radially bolted, mounting for full bell mouth Q and L



Design I - axial bolted, mounting for bell mouth flange for pipe socket H or full bell mouth Q or L

