

AC axial fans

A series, Ø 315



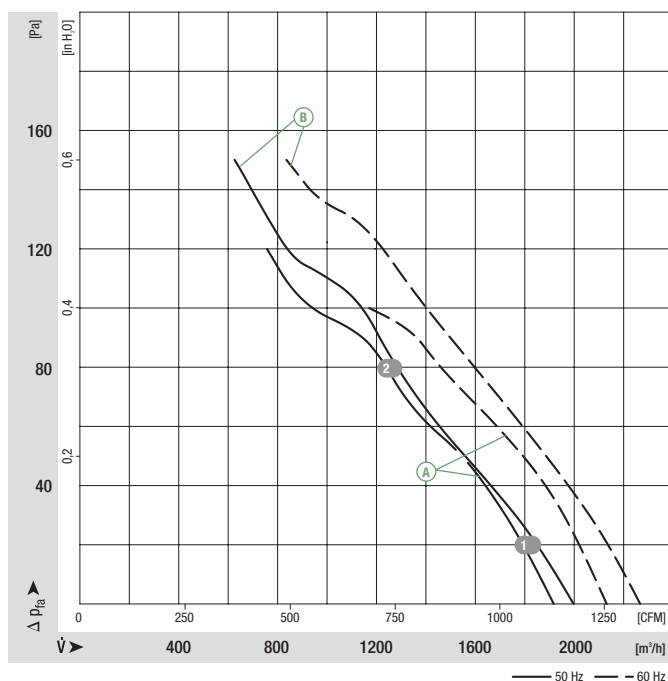
- **Material:** Guard grille: Steel, phosphated and coated in black plastic
Wall ring: Sheet steel, pre-galvanised and coated in black plastic
Blades: Sheet steel, coated in black
Rotor: Coated in black
- **Number of blades:** 5
- **Direction of rotation:** Direction of air flow "V" counter-clockwise, direction of air flow "A" clockwise, seen on rotor
- **Type of protection:** IP 44
- **Insulation class:** "B"
- **Mounting position:** Shaft horizontal or rotor on bottom; rotor on top on request
- **Condensate discharges:** Rotor-side
- **Mode of operation:** Continuous operation (S1)
- **Bearings:** Maintenance-free ball bearings

Nominal data		Curve	Nominal voltage	Frequency	Air flow	Speed/rpm	Power input	Current draw	Capacitor	Sound pressure level	Max. operative range	Perm. amb. temp.	Mass without attachments	Electr. connection
Type	Motor	VAC	Hz	m³/h	rpm	W	A	µF/VDB	dB(A)	Pa	°C	kg	p. 416 f.	
*4D 315 ⁽¹⁾	M4D 068-EC	Ⓐ 3~	230/400	50	1990	1400	78	0.33/0.19	—	65	150	-25 to +80	2.8	C1)/C2)
		3~	230/400	60	2260	1590	115	0.36/0.21	—	68	150	-25 to +60		
*4E 315	M4E 068-EC	Ⓑ 1~	230	50	1950	1400	120	0.53	5.0/400	67	180	-25 to +50	2.8	A1)
		1~	230	60	2230	1610	135	0.60	4.0/400	70	120	-25 to +45		

subject to alterations

(1) 230 VAC Δ / 400 VAC Y

Curves



	n [rpm]	P ₁ [W]	I [A]
Ⓐ 1	1390	82	0.19
Ⓐ 2	1370	95	0.20
Ⓑ 1	1395	123	0.55
Ⓑ 2	1360	136	0.60

- **Motor protection:** Ⓐ Without TOP, Ⓑ TOP wired internally
- **Cable exit:** Lateral
- **Protection class:** I
- **Product conforming to standards:** EN 60335-1, Ⓑ also CE
- **Approvals:** CCC

Direction of air flow



< "V"/"A" >

Without attachments



< "V"/"A" >

With full round nozzle



< "V"/"A" >

With guard grille for full nozzle

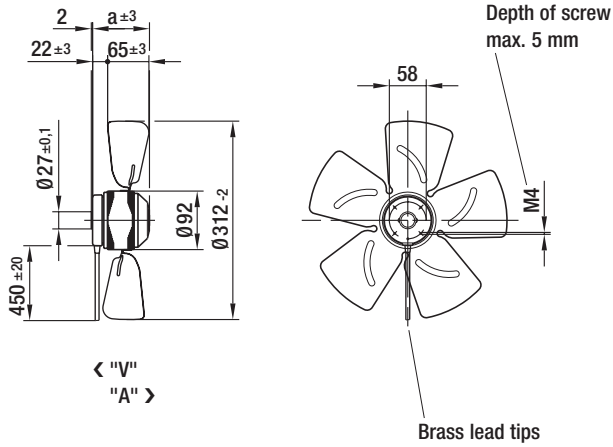
"V"	A4D 315-AC20 -01	W4D 315-CC20 -01	S4D 315-BC20 -01
"A"	A4D 315-AC20 -02	W4D 315-CC20 -02	S4D 315-BC20 -02
"V"	A4E 315-AA05 -01	W4E 315-CA05 -01	S4E 315-BA05 -01
"A"	A4E 315-AA05 -02	W4E 315-CA05 -02	S4E 315-BA05 -02

AC axial fans

A series, Ø 315, drawings of directions of air flow "V" and "A"



Without attachments

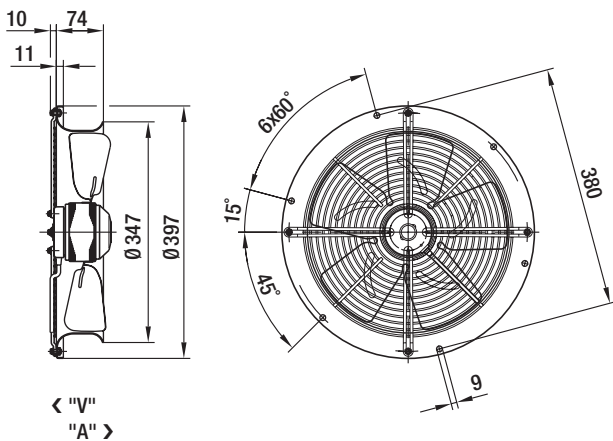


Type

Type		a
A4D 315-AC20 -01	"V"	101.0
A4D 315-AC20 -02	"A"	101.0
A4E 315-AA05 -01	"V"	92.0
A4E 315-AA05 -02	"A"	92.0



With full round nozzle

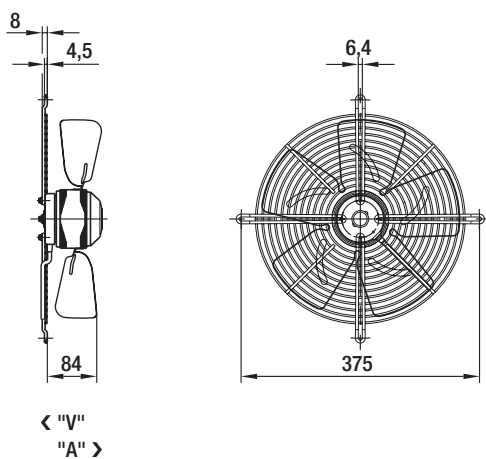


Type

W4D 315-CC20 -01	"V"
W4D 315-CC20 -02	"A"
W4E 315-CA05 -01	"V"
W4E 315-CA05 -02	"A"



With guard grille for full nozzle



Type

S4D 315-BC20 -01	"V"
S4D 315-BC20 -02	"A"
S4E 315-BA05 -01	"V"
S4E 315-BA05 -02	"A"