

AC axial fans - HyBlade®

Ø 400

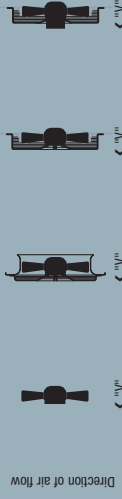


- Material: Guard grille: Steel, phosphated and coated in black plastic (RAL9005)
Wall ring: Sheet steel, pre-galvanised and coated in black plastic (RAL9005)
Blades: Plastic PP, Sheet steel, coated in black
Rotor: Surface coated in black
- Number of blades: 5
- Direction of rotation: Counter-clockwise, seen on rotor
- Type of protection: IP 44, depending on installation and position (acc. to EN 60034-5)
- Insulation class: "F", "B"
- Mounting position: Shaft horizontal or rotor on bottom; rotor on top on request
- Condensate discharge holes: Rotor-side
- Mode of operation: Continuous operation (S1)
- Bearings: Maintenance-free ball bearings

Nominal data		Motor		Curve		Nominal voltage		Frequency		Speed/rpm		Input power		Current draw		Capacitor		Max. back pressure		Perm. amb. temp.		Mass without attachments		Electr. connection	
Typ				VAC	Hz	rpm	W	A	µF/VDB	Pa	°C	kg													
*4D 400 ⁽²⁾		M4D 074-EI		3-230/400	50	1450	135	0,76/0,44	---	150	-25...+40	4,2												p. 61 / C1 (C2)	
		M4E 074-EI		3-230/400	60	1680	185	0,69/0,39	---	120	-25...+40	4,2													
*4E 400		M4E 074-EI		1-230	50	1430	160	0,73	6,0/400	150	-25...+40	4,1												p. 60 / A1)	
		M4E 074-EI		1-230	60	1700	240	1,06	6,0/400	75	-25...+40	4,1													
*6E 400 ⁽¹⁾		M6E 074-DF		1-230	50	870	120	0,53	3,0/400	40	-25...+60	3,7												p. 60 / A1)	
		M6E 074-DF		1-230	60	870	150	0,67	3,0/400	40	-25...+45	3,7													

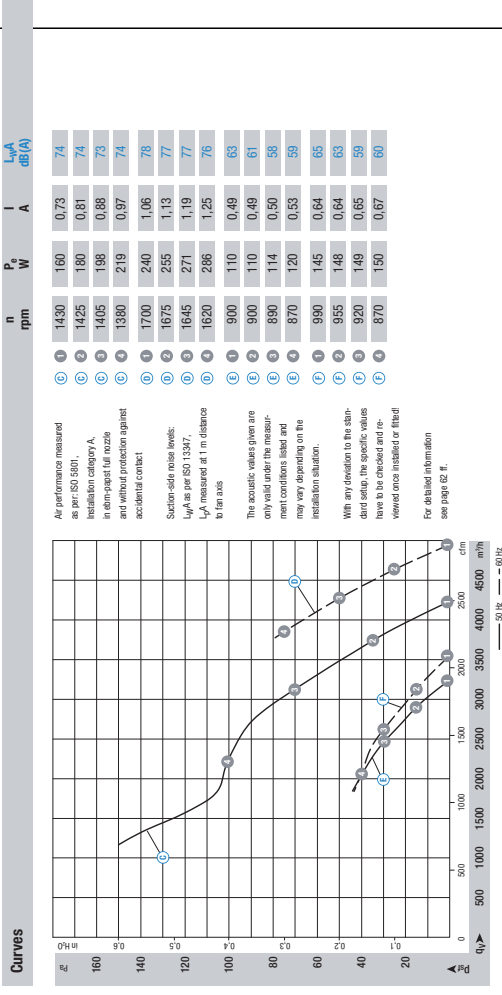
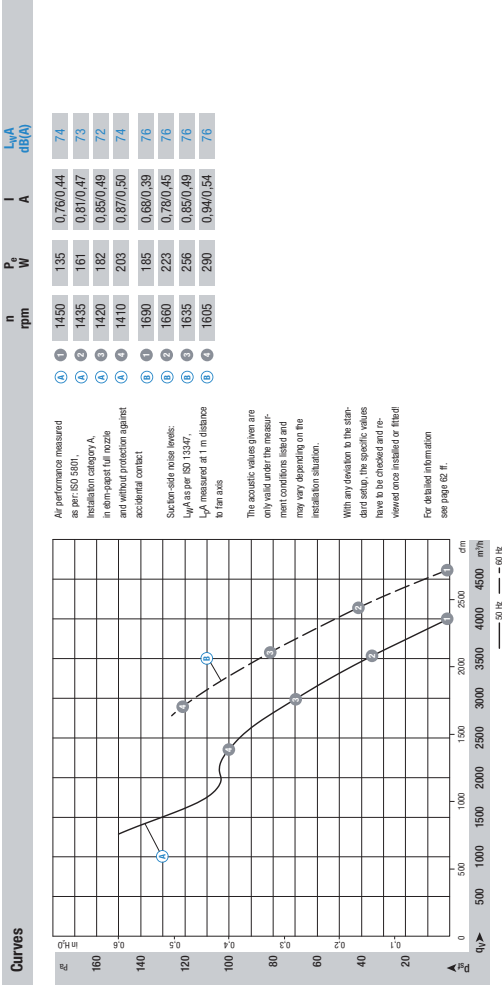
(1) Nominal data in operating point with maximum load and 230 VAC (2) 230 VAC L / 400 VAC Y

- Motor protection: TOP wired internally
- Leakage current: < 0,75 mA acc. to EN 60335-1
- Cable exit: Variable
- Terminal box design: Electrical connection via terminal strip
- Protection class: I
- Product conforming to standards: EN 60335-1; CE
- Approvals: VDE, cULus on request



Direction of air flow	Without attachments	With full round nozzle	With guard grille for short nozzle	With guard grille for short nozzle and mounted terminal box
"V"	A4D 400-AP12 -01	W4D400-CPT12 -30	S4D 400-AP12 -03	S4D 400-AP12 -50*
"V"	A4E 400-AP02 -01	W4E 400-CP02 -30	S4E 400-AP02 -03	S4E 400-AP02 -50**3)
"V"	A4E 400-AN24 -01	W6E 400-CN24 -30	S6E 400-AN24 -30	S6E 400-AN24 -50**3)

Direction of air flow "A" on request
*Terminal box design: Electrical connection via terminal strip
(1) Device is certified with a PO capacitor. EN 60335-1 is to be observed for the end application!



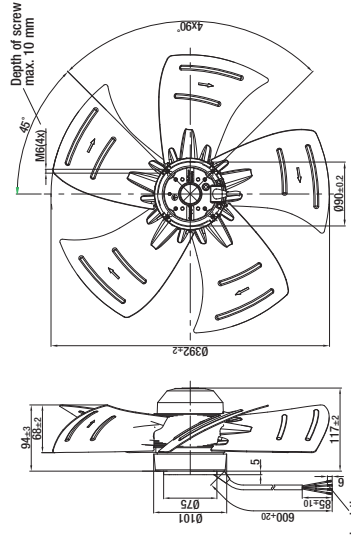


AC axial fans

Ø 400 with motor M4* 074, drawings for direction of air flow "V"

Without attachments

Typ	Mass kg
A4D-400-AP12-01	4.2
A4E-400-AP02-01	4.1

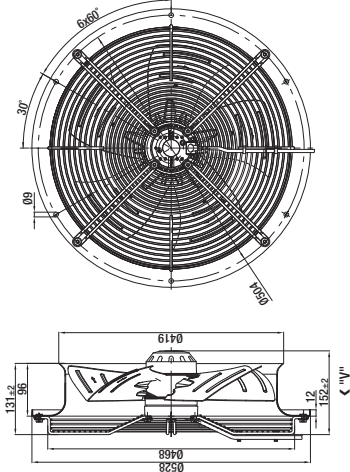


Internal diameter of the wall ring at least 400 mm

brass lead tips crimped

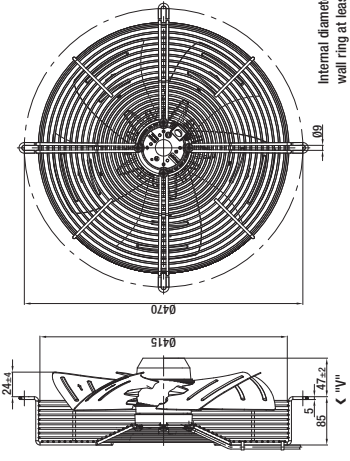
With full round nozzle

Typ	Mass kg
W4D-400-CP12-30	8.0
W4E-400-CP02-30	8.0



With guard grille for short nozzle

Typ	Mass kg
S4D-400-AP12-03	5.90
S4E-400-AP02-03	5.90
S4D-400-AP12-50*	6.05
S4E-400-AP02-50*	6.05



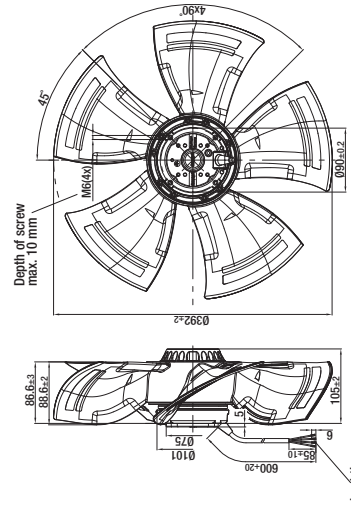
Internal diameter of the wall ring at least 400 mm

AC axial fans - HyBlade®

Ø 400 with motor W6E 074, drawings for direction of air flow "V"

Without attachments

Typ	Mass kg
A8E-400-AN24-01	3.7

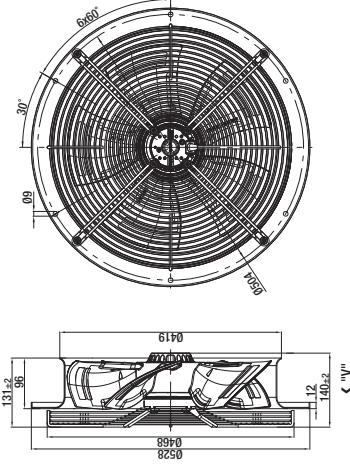


Internal diameter of the wall ring at least 400 mm

brass lead tips crimped

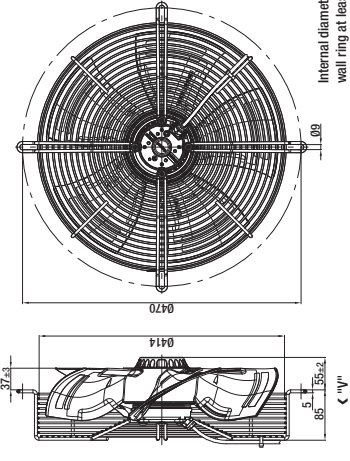
With full round nozzle

Typ	Mass kg
W6E-400-CN24-30	7.6



With guard grille for short nozzle

Typ	Mass kg
S8E-400-AN24-30	5.40
S8E-400-AN24-50*	5.55



Internal diameter of the wall ring at least 400 mm

