

## AC axial fans - HyBlade®

Ø 350



- Material: Guard grille: Steel, phosphated and coated in black plastic (RAL9005)  
Wall ring: Sheet steel, pre-galvanised and coated in black plastic (RAL9005)  
Blades: Plastic PP  
Rotor: Surface coated in black
- Number of blades: 5
- Direction of rotation: Counter-clockwise, seen on rotor
- Type of protection: IP 44, depending on installation and position (acc. to EN 60034-5)
- Insulation class: **F**, **P**, **B**, **g**
- Mounting position: Shaft horizontal or rotor on bottom; rotor on top on request
- Condensate discharge holes: Rotor-side
- Mode of operation: Continuous operation (S1)
- Bearings: Maintenance-free ball bearings

Nominal data		Curve		Nominal voltage		Frequency		Speed(rpm)		Max. input power <sup>(1)</sup>		Max. current draw <sup>(1)</sup>		Capacitor		Max. back pressure		Perm. amb. temp.		Mass without attachments		Electr. connection	
Typ	Motor	VAC	Hz	rpm	W	A	µF/VDB	Pa	°C	kg	p. 61 / C1 (C2)	p. 60 / A1)	p. 60 / A1)										
*4D 350 <sup>(2)</sup>	M4D 074-DF	3-230/400	50	1370	170	0,64/0,37	---	90	-25...+65	3,5	p. 61 / C1 (C2)												
		3-230/400	60	1520	230	0,70/0,40	---	90	-25...+65	3,5													
*4E 350	M4E 074-DF	1-230	50	1340	165	0,73	4,0/400	90	-25...+65	3,5	p. 60 / A1)												
		1-230	60	910	75	0,35	2,0/400	40	-25...+50	3,5	p. 60 / A1)												
*6E 350	M6E 074-DF	1-230	50	1020	95	0,42	2,0/400	50	-25...+55	3,5													

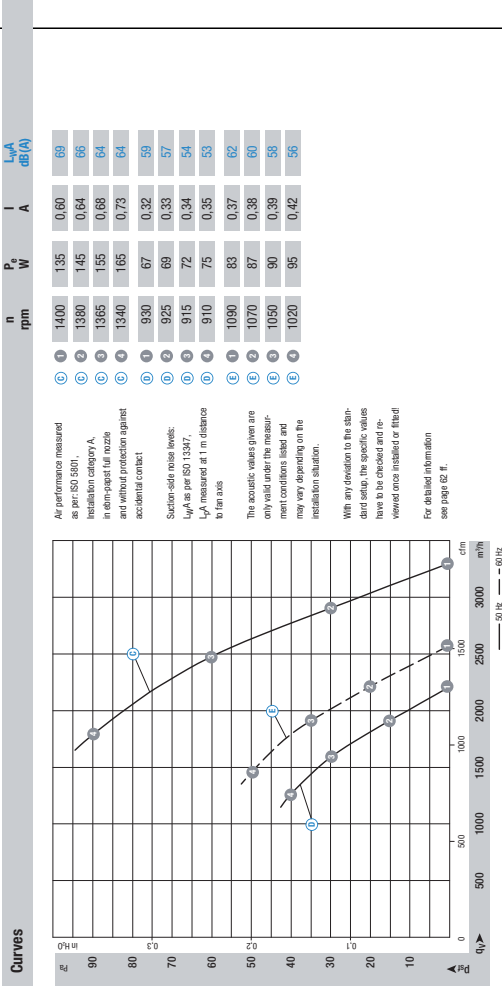
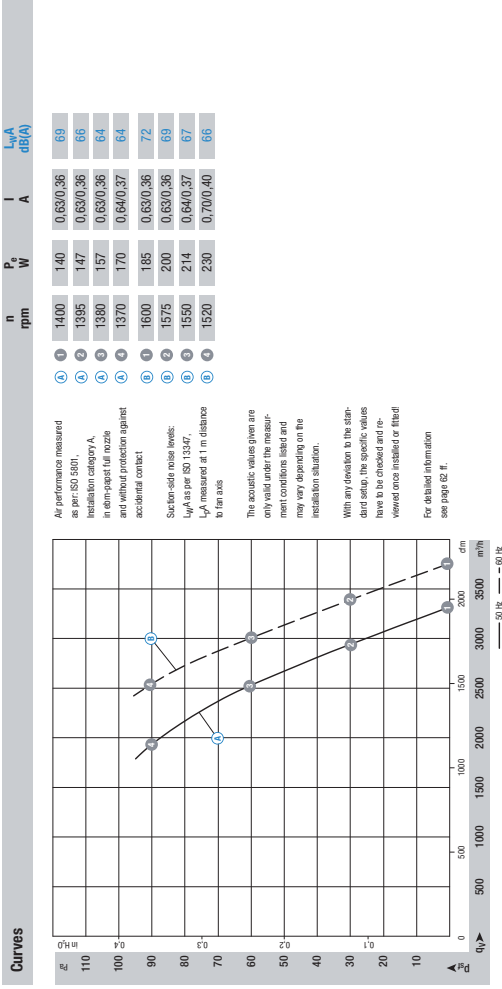
<sup>(1)</sup> Nominal data in operating point with maximum load and 230V AC. <sup>(2)</sup> 230 VAC / 400 VAC

- Motor protection: **TE**, **TO**, **TP** TOP wired internally
- Leakage current: < 0,75 mA acc. to EN 60335-1
- Cable exit: Variable
- Terminal box design: Electrical connection via terminal strip
- Protection class: I
- Product conforming to standards: EN 60335-1; CE
- Approvals: VDE, cULus on request



Direction of air flow	Without attachments	With full round nozzle	With guard grille for short nozzle	With guard grille and mounted terminal box
"V"	A4D 350-AN08 -01	W4D350-CN08 -30	S4D 350-AN08 -30	S4D 350-AN08 -50*
"V"	A4E 350-AN02 -01	W4E 350-CN02 -30	S4E 350-AN02 -30	S4E 350-AN02 -50** <sup>(3)</sup>
"V"	A6E 350-AN24 -01	W6E 350-CN24 -30	S6E 350-AN24 -30	S6E 350-AN24 -50** <sup>(3)</sup>

<sup>(3)</sup> Terminal box design: Electrical connection via terminal strip. <sup>(4)</sup> Device is certified with a PO capacitor. EN 60335-1 is to be observed for the end application!





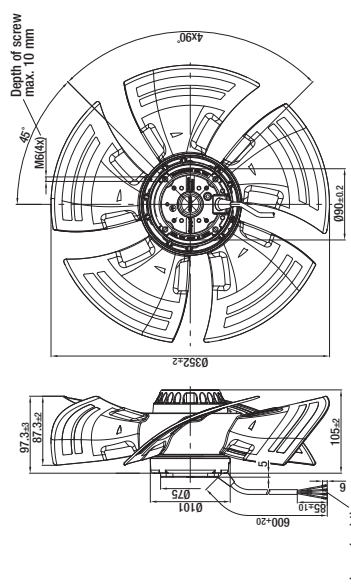
# AC axial fans - HyBlade®

Ø 350 with motor M\*\* 074, drawings for direction of air flow "V"



## Without attachments

Typ	Mass kg
A4D 350-AN08-01	3,5
A4E 350-AN02-01	3,5
A6E 350-AN24-01	3,5

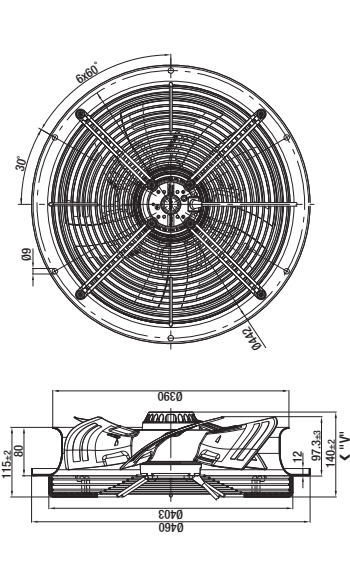


Internal diameter of the wall ring at least 358 mm



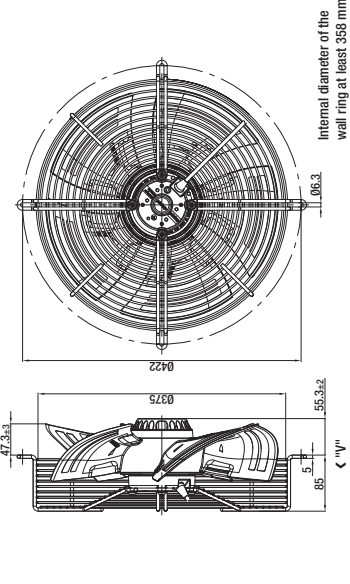
## With full round nozzle

Typ	Mass kg
W4D350-CN08-30	6,4
W4E350-CN02-30	6,4
W6E350-CN24-30	6,5



## With guard grille for short nozzle

Typ	Mass kg
S4D 350-AN08-30	5,00
S4E 350-AN02-30	5,00
S6E 350-AN24-30	5,00
S4D 350-AN08-50*	5,15
S4E 350-AN02-50*	5,15
S6E 350-AN24-50*	5,15



Cable diameter: max. 7.5 mm  
Tightening torque: 1,3 Nm ± 0,2 Nm