

AC axial fans - HyBlade®

Ø 300



- Material: Guard grille: Steel, phosphated and coated in black plastic (RAL9005)
Wall ring: Sheet steel, pre-galvanised and coated in black plastic (RAL9005)
Blades: Plastic PP, Sheet steel, coated in black
- Rotor: Surface coated in black
- Number of blades: 5
- Direction of rotation: Counter-clockwise, seen on rotor
- Type of protection: IP 44, depending on installation and position (acc. to EN 60034-5)
- Insulation class: "F", "B"
- Mounting position: Shaft horizontal or rotor on bottom; rotor on top on request
- Condensate discharge holes: Rotor-side
- Mode of operation: Continuous operation (S1)
- Bearings: Maintenance-free ball bearings

Typ	Motor	Curve	Nominal voltage	Frequency	Speed/rpm	Input power	Current draw	Capacitor	Max. back pressure	Perm. amb. temp.	Mass without attachments	Electr. connection
Typ	Motor	Curve	VAC	Hz	rpm	W	A	µF/VDB	Pa	°C	kg	
*2D 300 ⁽²⁾	M2D 074-DF	①	3-230/400	50	2550	210	0,62/0,36	---	200	-25...+75	3,1	p. 61 / C1 (C2)
		②	3-230/400	60	2750	300	0,84/0,48	---	125	-25...+40	3,1	
*4D 300 ⁽²⁾	M4D 068-CF	③	3-230/400	50	1300	68	0,25/0,14	---	60	-25...+60	1,6	p. 61 / C1 (C2)
		④	3-230/400	60	1400	90	0,26/0,15	---	70	-25...+55	1,6	
*2E 300	M2E 074-DF	⑤	1-230	50	2700	230	1,10	8,0/400	200	-25...+50	3,1	p. 60 / A1)
		⑥	1-230	60	3000	350	1,55	8,0/400	60	-25...+40	3,1	
*4E 300 ⁽¹⁾	M4E 068-CF	⑦	1-230	50	1320	72	0,32	2,0/400	60	-25...+50	2,7	p. 60 / A1)
		⑧	1-230	60	1500	90	0,40	2,0/400	60	-25...+50	2,7	

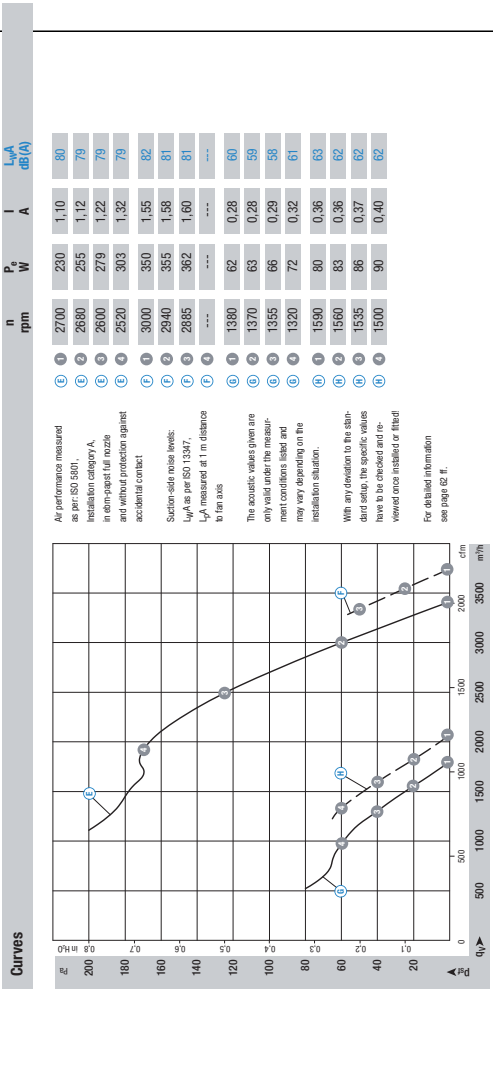
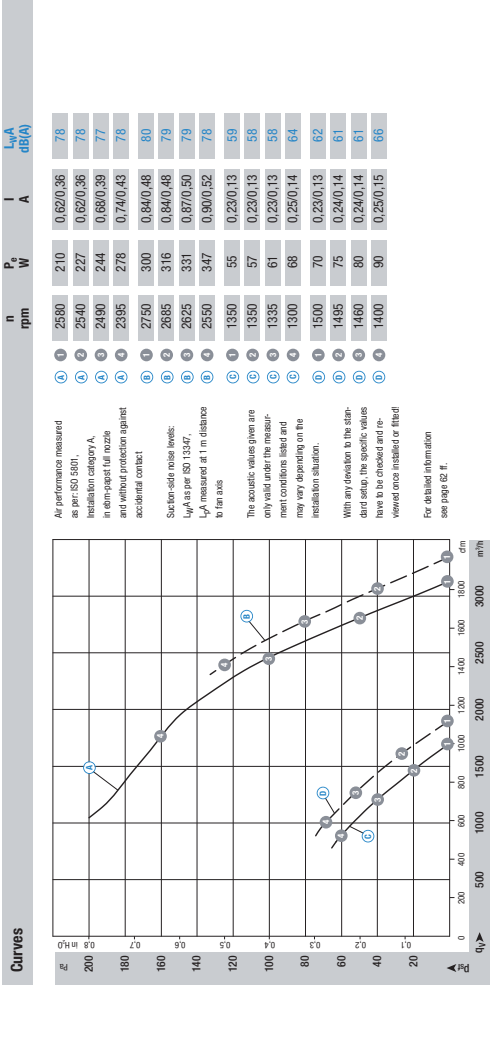
(1) Nominal data in operating point with maximum load and 230 or 400 VAC. (2) 230 VAC Δ / 400 VAC Y

subject to alterations

- Motor protection: TOP wired internally
- Leakage current: < 0,75 mA acc. to EN 60335-1
- Cable exit: Variable
- Terminal box design: Electrical connection via terminal strip
- Protection class: I
- Product conforming to standards: EN 60335-1; CE
- Approvals: VDE, cULus on request

Direction of air flow	Without attachments	With full round nozzle	With guard grille for short nozzle	With guard grille and mounted terminal box
"V"	A2D 300-AP02 -01	W2D300-CP02 -30	S2D 300-AP02 -30	S2D 300-AP02 -50*
"V"	A4D 300-AS34 -01	W4D300-CS34 -30	S4D 300-AS34 -30	S4D 300-AS34 -50*
"V"	AZE 300-AP02 -01	WZE300-CP02 -30	SZE 300-AP02 -30	SZE 300-AP02 -50**3
"V"	A4E 300-AS72 -01	W4E300-CS72 -30	S4E 300-AS72 -30	S4E 300-AS72 -50**3

Direction of air flow: *A: on request **Terminal box design: Electrical connection via terminal strip (3) Device is certified with a P0 capacitor. EN 60335-1 is to be observed for the end application!





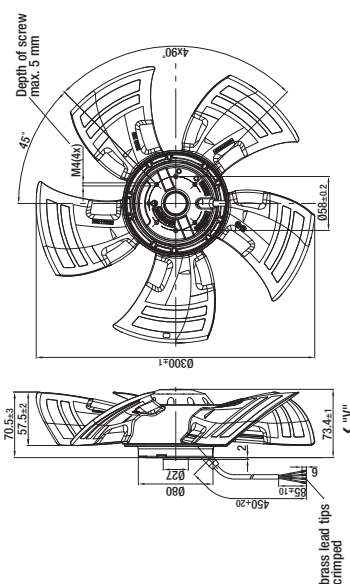
AC axial fans - HyBlade®

Ø 300 with motor M4* 068, drawings for direction of air flow "V"



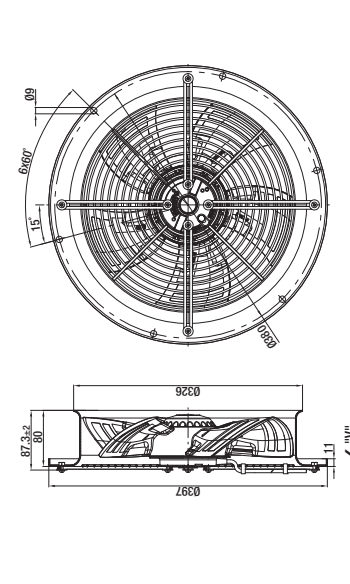
Without attachments

Typ	Mass kg
A4D 300-AS34 -01	1.6
A4E 300-AS72 -01	2.7



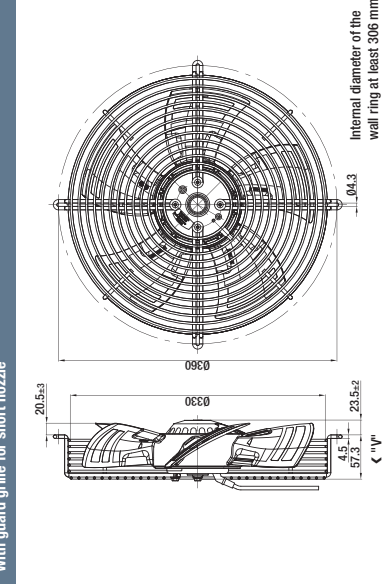
With full round nozzle

Typ	Mass kg
W4D300-GS34 -30	3.85
W4E 300-GS72 -30	4.1

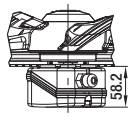


With guard grille for short nozzle

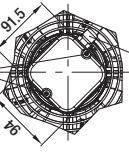
Typ	Mass kg
S4D 300-AS34 -30	2.80
S4E 300-AS72 -30	2.85
S4D 300-AS34 -50*	2.75
S4E 300-AS72 -50*	3.00



*Type with terminal box:



Tightening torque: 0.7 Nm ± 0.2 Nm



Cable diameter: max. 7.5 mm
Tightening torque: 1.3 Nm ± 0.2 Nm



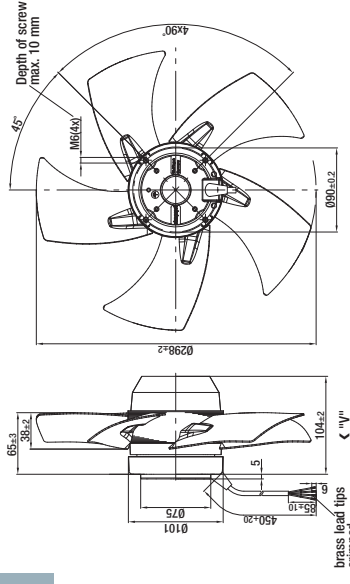
AC axial fans

Ø 300 with motor W2* 074, drawings for direction of air flow "V"



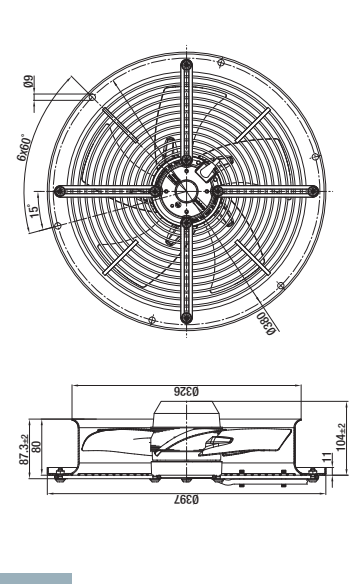
Without attachments

Typ	Mass kg
A2D 300-AP02 -01	3.1
A2E 300-AP02 -01	3.1



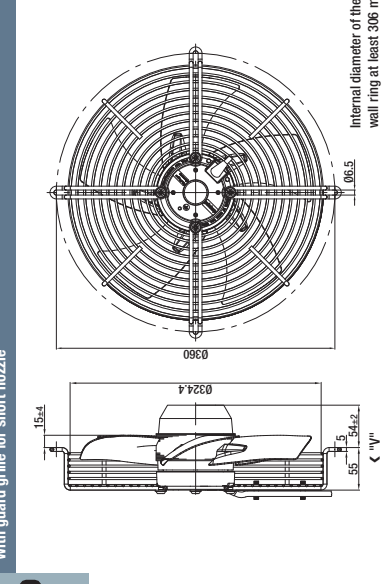
With full round nozzle

Typ	Mass kg
W2D300-CP02 -30	5.2
W2E 300-CP02 -30	5.2

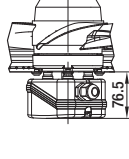


With guard grille for short nozzle

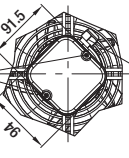
Typ	Mass kg
S2D 300-AP02 -30	4.10
S2E 300-AP02 -30	4.10
S2D 300-AP02 -50*	4.25
S2E 300-AP02 -50*	4.25



*Type with terminal box:



Tightening torque: 0.7 Nm ± 0.2 Nm



Cable diameter: max. 7.5 mm
Tightening torque: 1.3 Nm ± 0.2 Nm