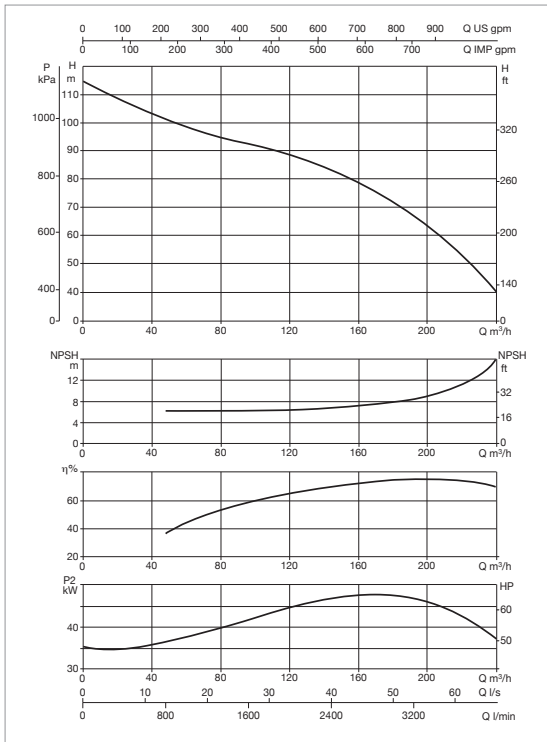


1KVT10 15N/3CD - DIESEL AND ELECTRIC EN 12845 FIRE-FIGHTING PUMP SETS WITH VERTICAL TURBINE PUMPS

Pumped liquid temperature range: from 0 °C to +40 °C - Ambient temperature range: from +4 °C to +40 °C



KVT EN 12845 ELECTRIC PUMP

MODEL	POWER INPUT	JOCKEY PUMP*	P2 MAIN PUMP	P2 JOCKEY PUMP	In A	MEASURING KIT
			kW	kW		
1KVT10 15N/3CD 55 400/50	3 x 400 V	DIVER 200 T	55	1.5	95.0	FLOW METER DN125

KVT EN 12845 DIESEL ENGINE-DRIVEN PUMP

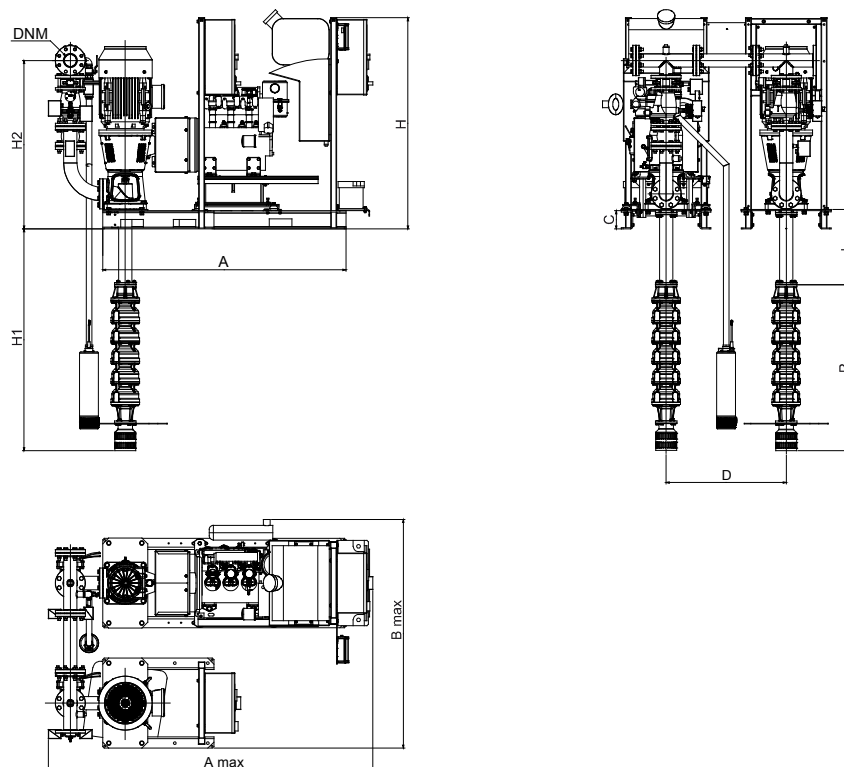
MODEL	BATTERY CHARGER POWER INPUT	JOCKEY PUMP*	** P2 DIESEL ENGINE-DRIVEN PUMP	P2 JOCKEY PUMP	AREA FAN	DIESEL COLLECTION TANK
			kW	kW		
1KVT10 15N/3CD 73,5 MD EN	1 x 220-240 V	DIVER 200 T	73.5	1.5	0.40 m²	125 l accessories

* Jockey pump on request.

** ISO 3046 continuous power The motor is capable of delivering 10 % more of the power requested by the pump.

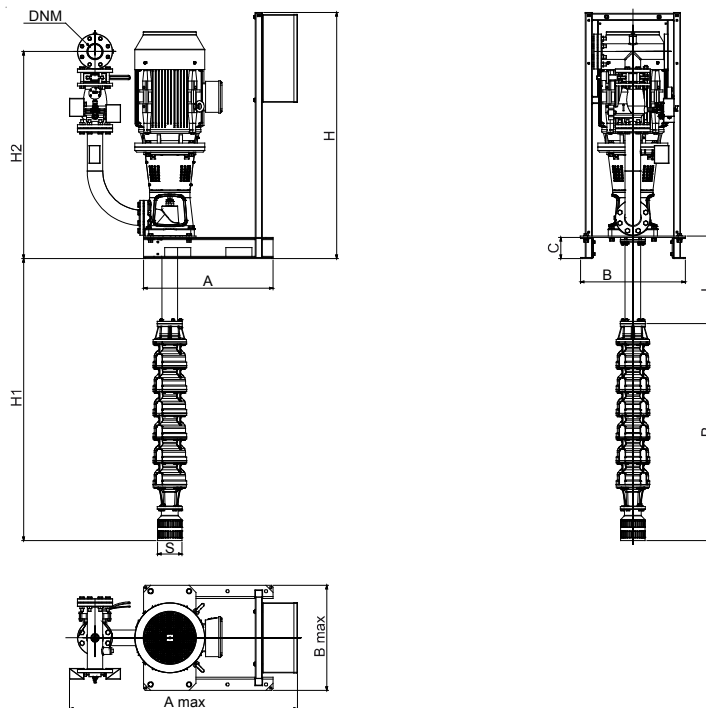
The performance curves are based on kinematic viscosity values = 1 mm²/s and density equal to 1000 kg/m³. Curve tolerance according to ISO 9906.

ELECTRIC PUMP + DIESEL ENGINE-DRIVEN PUMP + JOCKEY PUMP MODULE

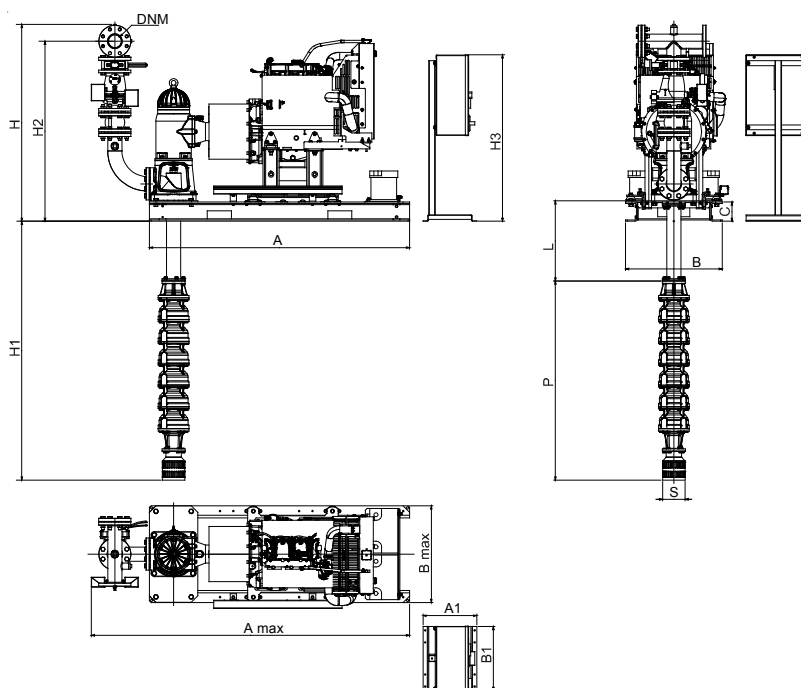


1KVT10 15N/3CD - DIESEL AND ELECTRIC EN 12845 FIRE-FIGHTING PUMP SETS WITH VERTICAL TURBINE PUMPS

ELECTRIC PUMP MODULE



DIESEL ENGINE-DRIVEN PUMP MODULE



MODEL	A	A max	B	B max	C	H	H2	P	S	L	H1	A1	B1	H3	DNM
1KVT10 15N/3CD - ELECTRIC PUMP + DIESEL ENGINE-DRIVEN PUMP + JOCKEY PUMP MODULE	1620	2153	987	140	1600	1534	1218	2000	3078						125
1KVT10 15N/3CD 55 400/50 - ELECTRIC PUMP MODULE	1140	1871	730	730	140	1600	1534	1218	Ø 214	2000	3078				125
1KVT10 15N/3CD 73,5 400/50 - DIESEL ENGINE-DRIVEN PUMP MODULE	1620	2153	725	757	140	1596	1465	1218	Ø 214	2000	3078	335	400	1037	125

The L and H1 values depend on the selected axis line (L).
7 different axis line lengths available on request.