



Ghisa EN-GJL-250

Fonte EN-GJL-250

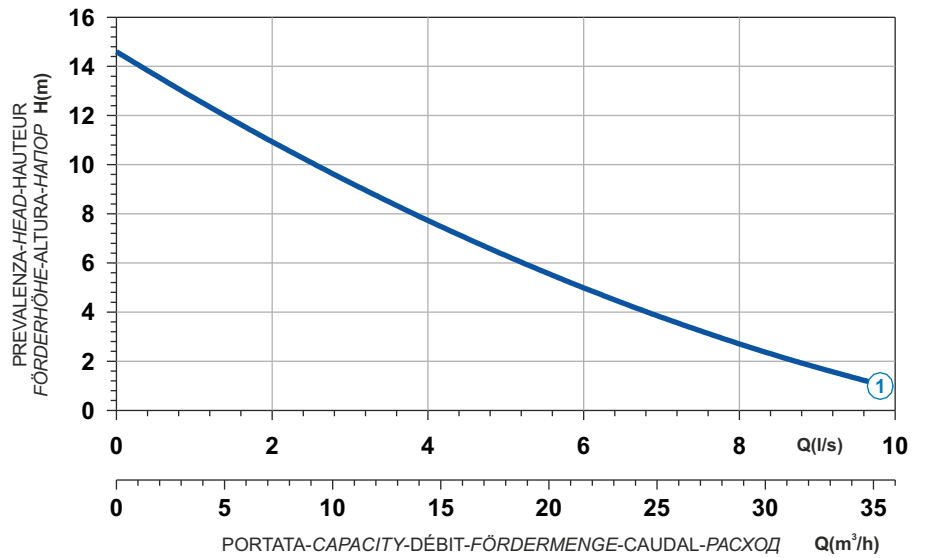
Hierro fundido EN-GJL-250

Cast Iron EN-GJL-250

Grauguss EN-GJL-250

Чугун EN-GJL-250

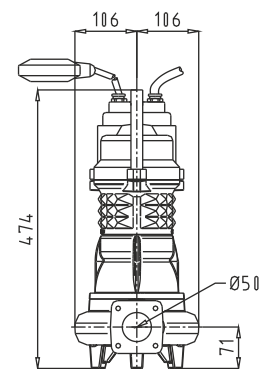
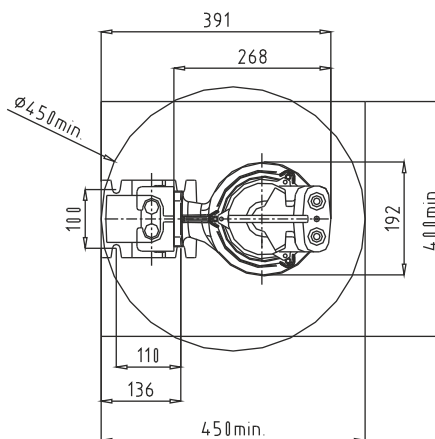
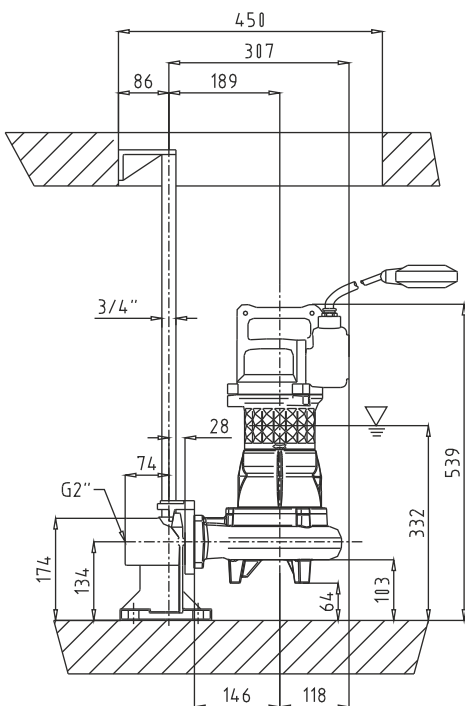
Curva caratteristica - Performance curve - Courbe caractéristique  
Kennlinie - Curva característica - Характеристическая кривая



Power supply	1ph 230V 50Hz
R.P.M.	2850
Free passage (mm)	30
Discharge (mm)	DN 50
Max Weight (Kg)	31

Curve N°	Code	Type	MOTOR			ATEX code
			Rated power P2 (kW)	Rated current I (A)	Starting current Is (A)	
1	7000394	G272M1M2-K30AB1	1,4	8,4	31,1	-

## Dimensioni - Dimensions - Dimensions - Abmessungen - Dimensiones - Габариты (mm)



▽ LIVELLO MINIMO DI SOMMERGIBILITÀ  
MINIMUM SUBMERSIBLE LEVEL  
NIVEAU MINIMUM D'IMMERSION  
MINDESTWASSERSTAND  
NIVEL SUMERGIBLE MÍNIMO  
МИНИМАЛЬНАЯ ГЛУБИНА ПОГРУЖЕНИЯ