



Ghisa EN-GJL-250

Fonte EN-GJL-250

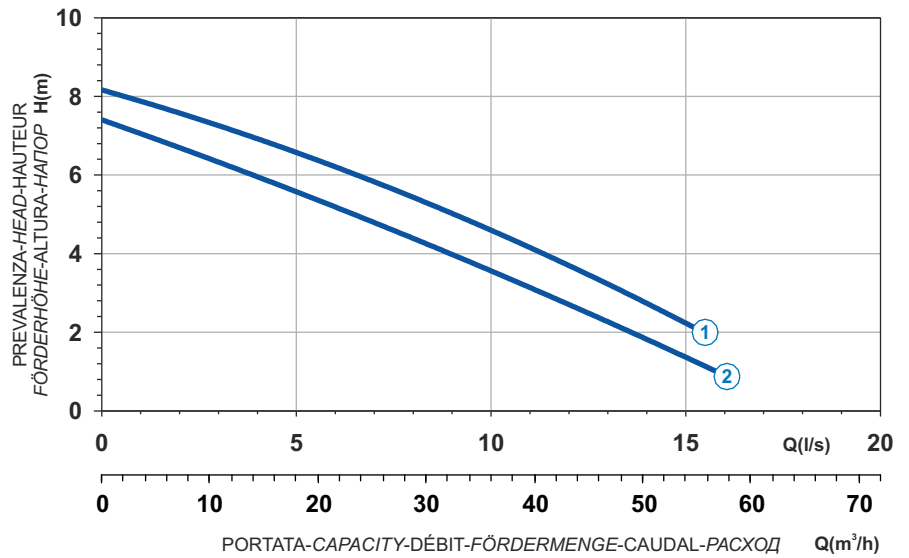
Hierro fundido EN-GJL-250

Cast Iron EN-GJL-250

Grauguss EN-GJL-250

Чугун EN-GJL-250

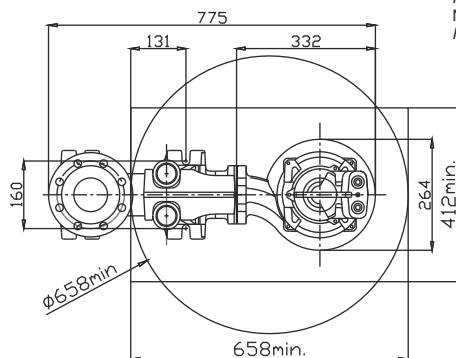
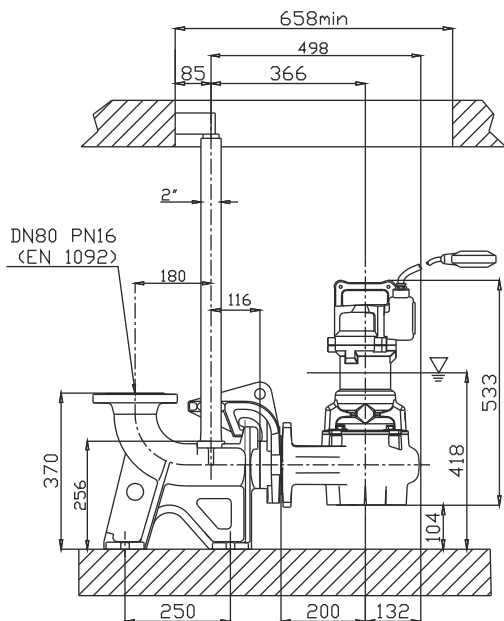
Curva caratteristica - Performance curve - Courbe caractéristique
Kennlinie - Curva característica - Характеристическая кривая



| | |
|-------------------|---------------|
| Power supply | 1ph 230V 50Hz |
| R.P.M. | 1450 |
| Free passage (mm) | 50 |
| Discharge (mm) | DN 80 |
| Max Weight (Kg) | 46 |

| Curve N° | Code | Type | MOTOR | | | ATEX code |
|----------|---------|-----------------|---------------------|---------------------|-------------------------|-----------|
| | | | Rated power P2 (kW) | Rated current I (A) | Starting current Is (A) | |
| 1 | 7005430 | G471M6V1-M50AB1 | 1,6 | 9,2 | 46 | 7005821 |
| 2 | 7005431 | G471M6V2-M50AB1 | 1,4 | 8,1 | 40,5 | 7005682 |

Dimensioni - Dimensions - Dimensions - Abmessungen - Dimensiones - Габариты (mm)



▽ LIVELLO MINIMO DI SOMMERGIBILITÀ
MINIMUM SUBMERSIBLE LEVEL
NIVEAU MINIMUM D'IMMERSION
MINDESTWASSERSTAND
NIVEL SUMERGIBLE MÍNIMO
МИНИМАЛЬНАЯ ГЛУБИНА ПОГРУЖЕНИЯ

