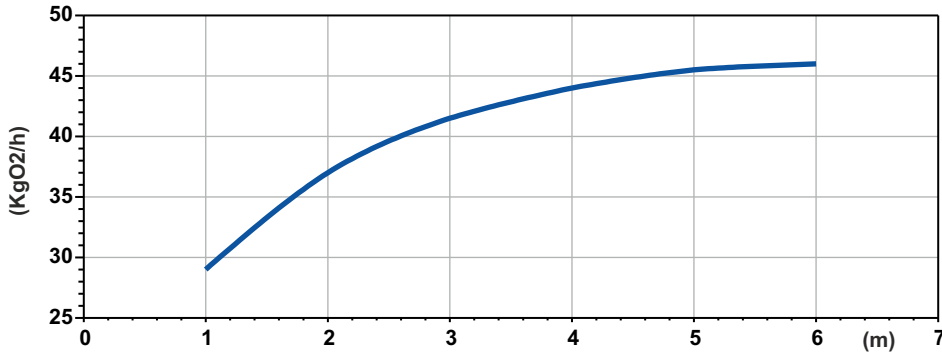


OJ 3400-250

SOTR



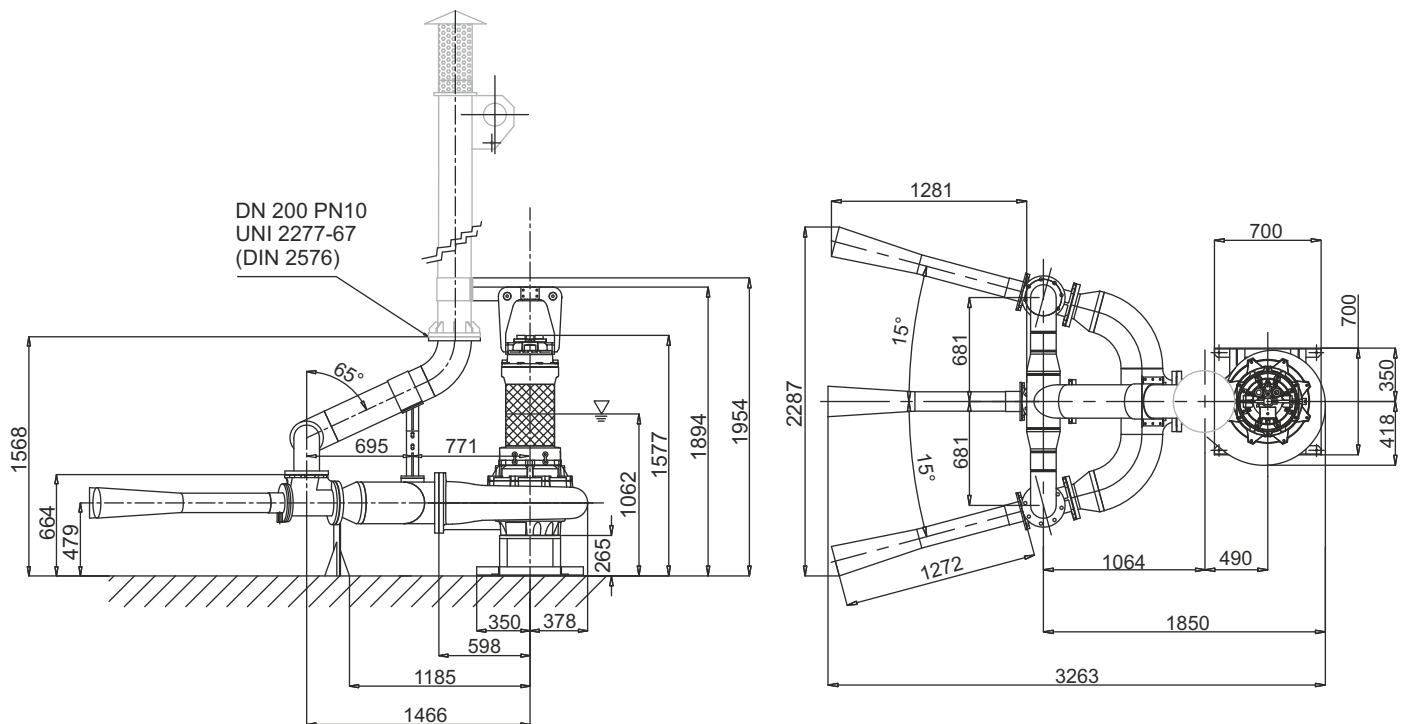
Potenza Assorbita - Absorbed Power P1
 Puissance Absorbée - Leistungsaufnahme P1
 Potencia absorbida - Поглощенная мощность P1



Battente idraulico - Hydraulic head - Charge hydraulique - Hydraulischen Belastung
 Cabezal hidráulico - Аспирированный воздух

Code	4008213
Type	OJ3400-250
Rated Power P2 (kW)	39,2
Rated Current I (A)	71
Starting Current Is (A)	419
Pump type	G620R3C2-V105AA2
Power supply	3ph 400/690V 50Hz
R.P.M.	965
Free passage (mm)	105
Suction (mm)	DN 200
Weight (Kg)	1380
Cable	H07RN/F 2x4G10+4G2,5
SOTR OBTAINED FOLLOWING STANDARD UNI EN 12255-15:2004	

Dimensioni - Dimensions - Dimensions - Abmessungen - Dimensiones - Габариты (mm)



LIVELLO MINIMO DI SOMMERGIBILITÀ - MINIMUM SUBMERSIBLE LEVEL - NIVEAU MINIMUM D'IMMERSION
 MINDESTWASSERSTAND - NIVEL SUMERGIBLE MÍNIMO - МИНИМАЛЬНАЯ ГЛУБИНА ПОГРУЖЕНИЯ