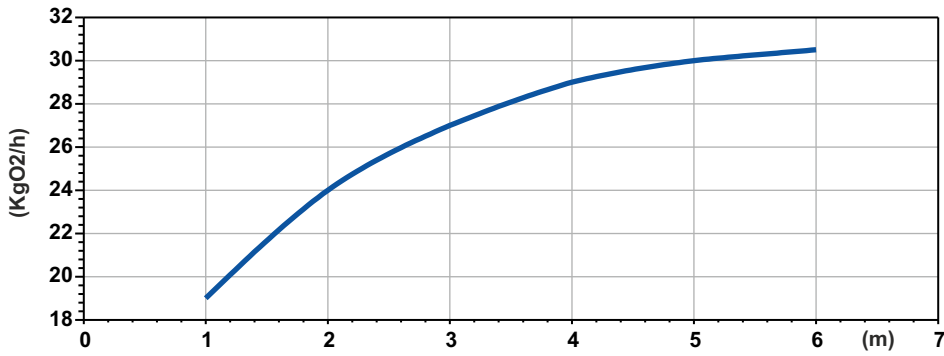
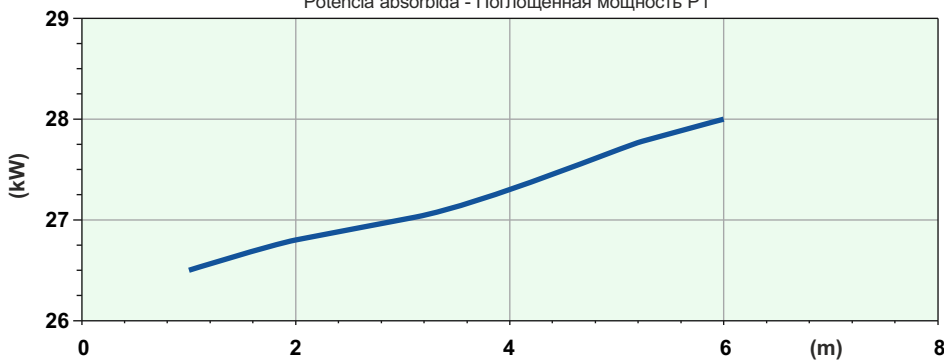


SOTR



Potenza Assorbita - Absorbed Power P1
 Puissance Absorbée - Leistungsaufnahme P1
 Potencia absorbida - Поглощенная мощность P1

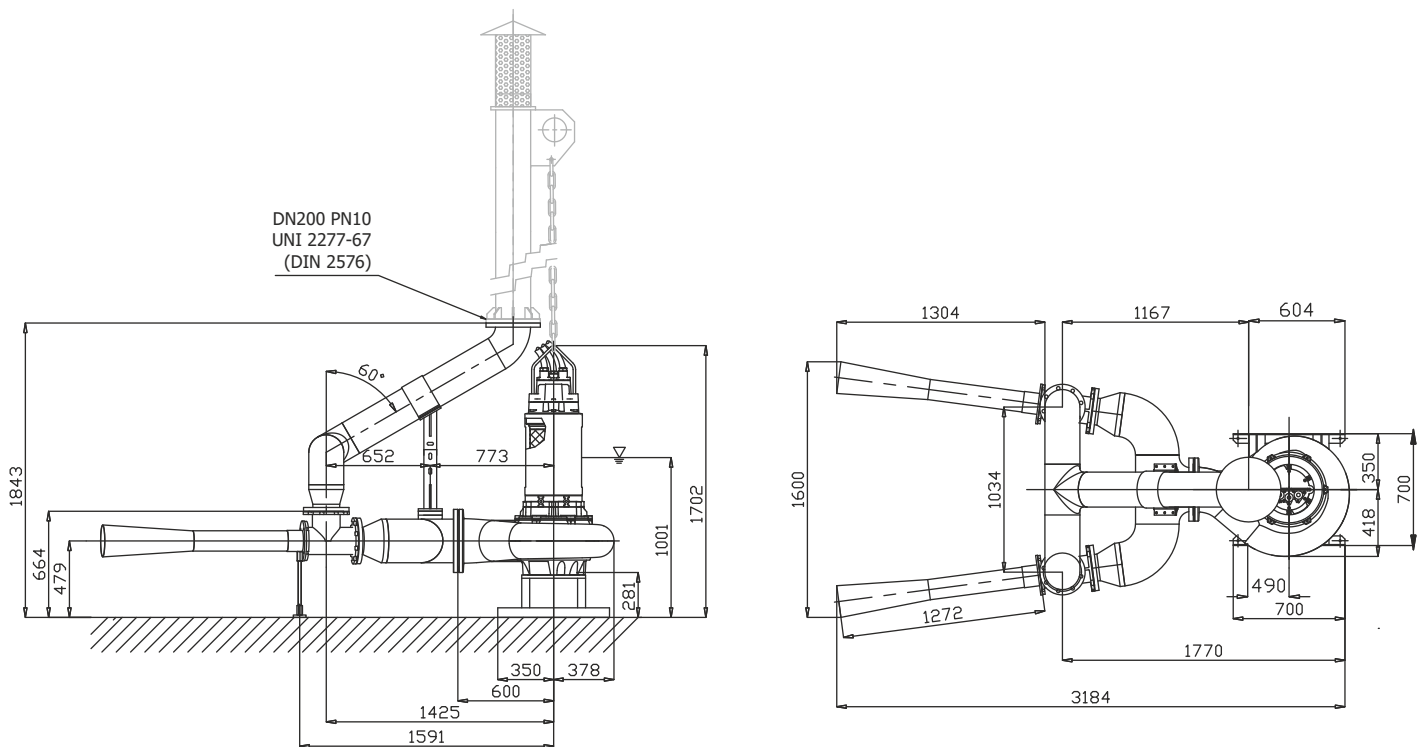


Battente idraulico - Hydraulic head - Charge hydraulique - Hydraulischen Belastung
 Cabezal hidráulico - Аспирированный воздух

OJ 2290-250

Code	4004883
Type	OJ2290-250
Rated Power P2 (kW)	29
Rated Current I (A)	52,8
Starting Current Is (A)	311
Pump type	G618R3C3-V105AA2
Power supply	3ph 400/690V 50Hz
R.P.M.	960
Free passage (mm)	105
Suction (mm)	DN 250
Weight (Kg)	1020
Cable	H07RN/F 2x4G10+4G2,5
SOTR OBTAINED FOLLOWING STANDARD UNI EN 12255-15:2004	

Dimensioni - Dimensions - Dimensions - Abmessungen - Dimensiones - Габариты (mm)



DN200 PN10
 UNI 2277-67
 (DIN 2576)



LIVELLO MINIMO DI SOMMERGIBILITÀ - MINIMUM SUBMERSIBLE LEVEL - NIVEAU MINIMUM D'IMMERSION
 MINDESTWASSERSTAND - NIVEL SUMERGIBLE MÍNIMO - МИНИМАЛЬНАЯ ГЛУБИНА ПОГРУЖЕНИЯ

